



MODEL 35 AT
EARTH
AUGER

PARTS LIST MANUAL

J&M MODEL 35 AT
EARTH AUGER

WITH MODEL 315 POWER UNIT

OM-35AT-0399



J&M Foundation Equipment, LLC
60 38th Street, Pittsburgh, PA 15201
Phone: 412-682-4553 Fax: 412-682-4511
E-Mail: info@jandm-usa.com



MODEL 35 AT
EARTH
AUGER

PREFACE

This manual was prepared to acquaint the owner, operator and serviceman with the construction and servicing of the J&M Model 35 AT Earth Auger. We strongly suggest that this manual be studied carefully and understood by all personnel involved in operating or performing maintenance work on the auger. J&M equipment is engineered to provide reliable operation and a long service life under normal operating conditions. Equipment reliability and service life can be improved by following the maintenance procedures in this manual.



MODEL 35 AT
EARTH
AUGER

STANDARD WARRANTY

J&M Foundation Equipment (J&M) warrants new products sold by it to be free from defects in material and workmanship for a period of 90 days after date of delivery to the first user and subject to the following conditions: J&M's obligation and liability under this warranty is expressly limited to repairing or replacing, at J&M's option, any parts which appear to J&M upon inspection to have been defective in material or workmanship. Such parts shall be provided at no cost to the user at the business establishment of J&M or at the J&M distributor of the product during regular working hours.

This warranty shall not apply to component parts or accessories of products not manufactured by J&M and which carry the warranty of the manufacturer thereof or to normal maintenance parts (such as filters).

Replacement or repair parts installed in the product covered by this warranty are warranted only for the remainder of the warranty as if such parts were original components of said product.

J&M's obligation under this warranty shall not include any transportation charges, costs of installation, duty, taxes or any other charges whatsoever, or any liability for direct, indirect, incidental, or consequential damage or delay.

If requested by J&M products or parts for which a warranty claim is made are to be returned transportation prepaid to J&M

Any improper use, including operation after discovery of defective or worn parts, operation beyond rated capacity, substitution of parts not approved by J&M or any alteration or repair by others in such manner as is J&M's judgment affects the product materially and adversely shall void the warranty.

J&M makes no other warranty, expressed or implied, and makes no warranty of merchantability or fitness for any particular purpose.

No employee or representative is authorized to change this warranty unless such change is made in writing and signed by an officer of J&M



**MODEL 35 AT
EARTH
AUGER**

SAFETY PRECAUTIONS

Safety is basically common sense. There are standard safety rules, but each situation has its own peculiarities which can not always be covered by rules. Therefore, your experience and common sense will be your best guide to safety. Be ever watchful for safety hazards and correct deficiencies promptly.

Use the following safety precautions as a general guide to safe operations:

1. When operating in a closed area, pipe exhaust fumes outside. Continued breathing of exhaust fumes may be fatal.
2. When servicing batteries, do not smoke or use an open flame in the vicinity. Batteries generate explosive gas during charging. There must be proper ventilation when charging batteries.
3. When filling fuel tank, do not smoke or use open flame in the vicinity.
4. Be extremely careful when using a carbon tetrachloride fire extinguisher in a closed area as it produces toxic vapor. Provide adequate ventilation before entering a closed area where carbon tetrachloride has been used.
5. Never adjust or repair the unit while it is in operation.
6. Never operate the diesel engine with the governor linkage disconnected to control the fuel rack.
7. Rounded or damaged bolt and screw heads and nuts should be replaced so proper torque values can be maintained. Refer to Torque Chart on page 32 for torque values.
8. Keep clear of auger and fighting when in operation in case a part would loosen and fall. Dirt and/or rocks may fall off the auger fighting. Wear a hard hat.
9. Frequently tighten wire rope clamps securing auger to crane line. Check wire rope for wear.
10. Keep auger, crane boom, leads, wire rope and other equipment at least 15Feet (5m) from electrical equipment, or at such distance as required by applicable safety codes.
11. Make sure that crane and leads have sufficient capacity to handle auger, fighting and dirt expected on the job. High downpull can be generated if the auger screws itself into the ground.
12. Remove all tools and electrical cords before starting.
13. Store oily rags in containers.
14. Never store flammable liquids near the engine.

REMEMBER, SAFETY IS EVERYONE'S BUSINESS.

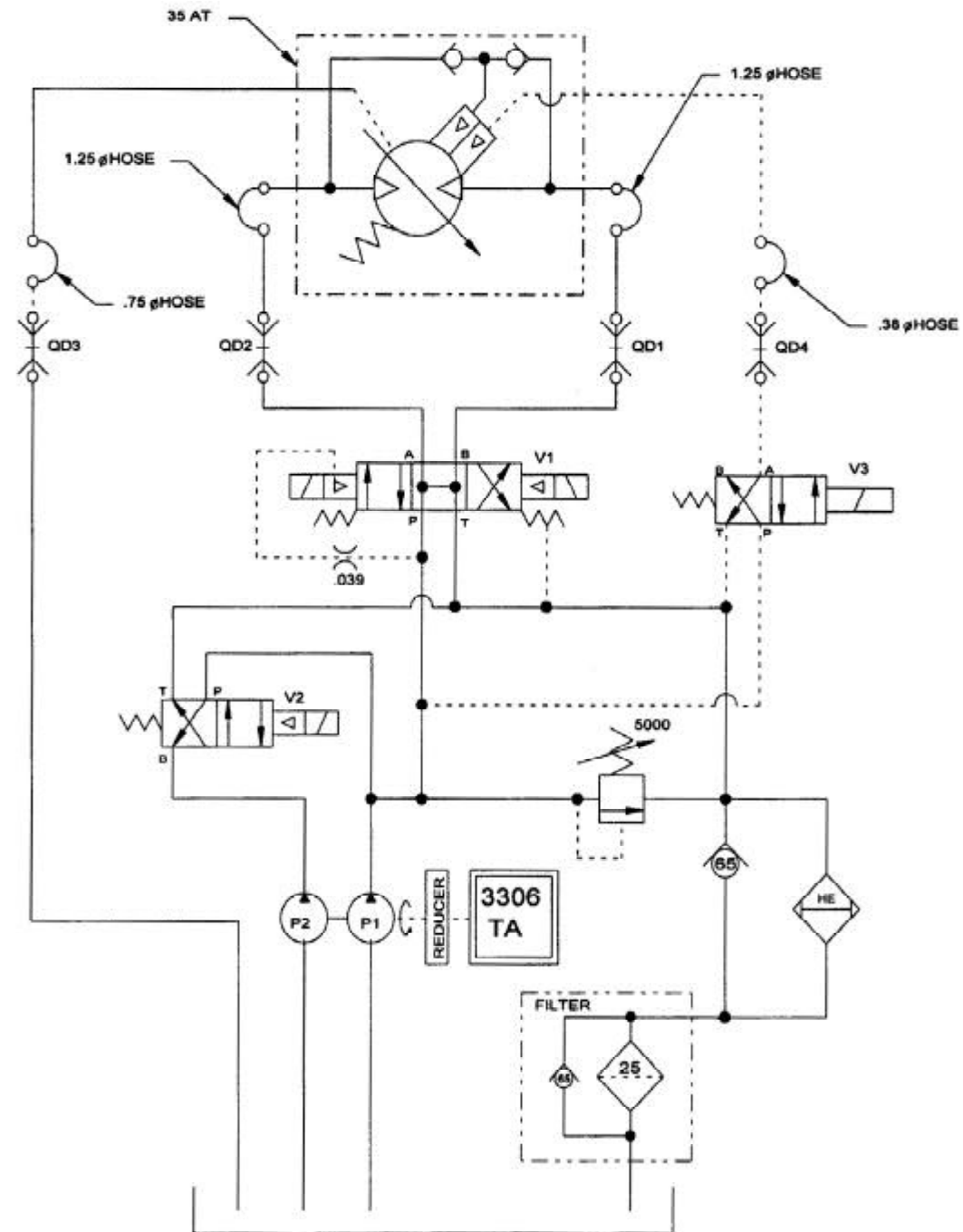


MODEL 35 AT
EARTH
AUGER

PARTS LIST

HYDRAULIC CIRCUITRY

HYDRAULIC SCHEMATIC



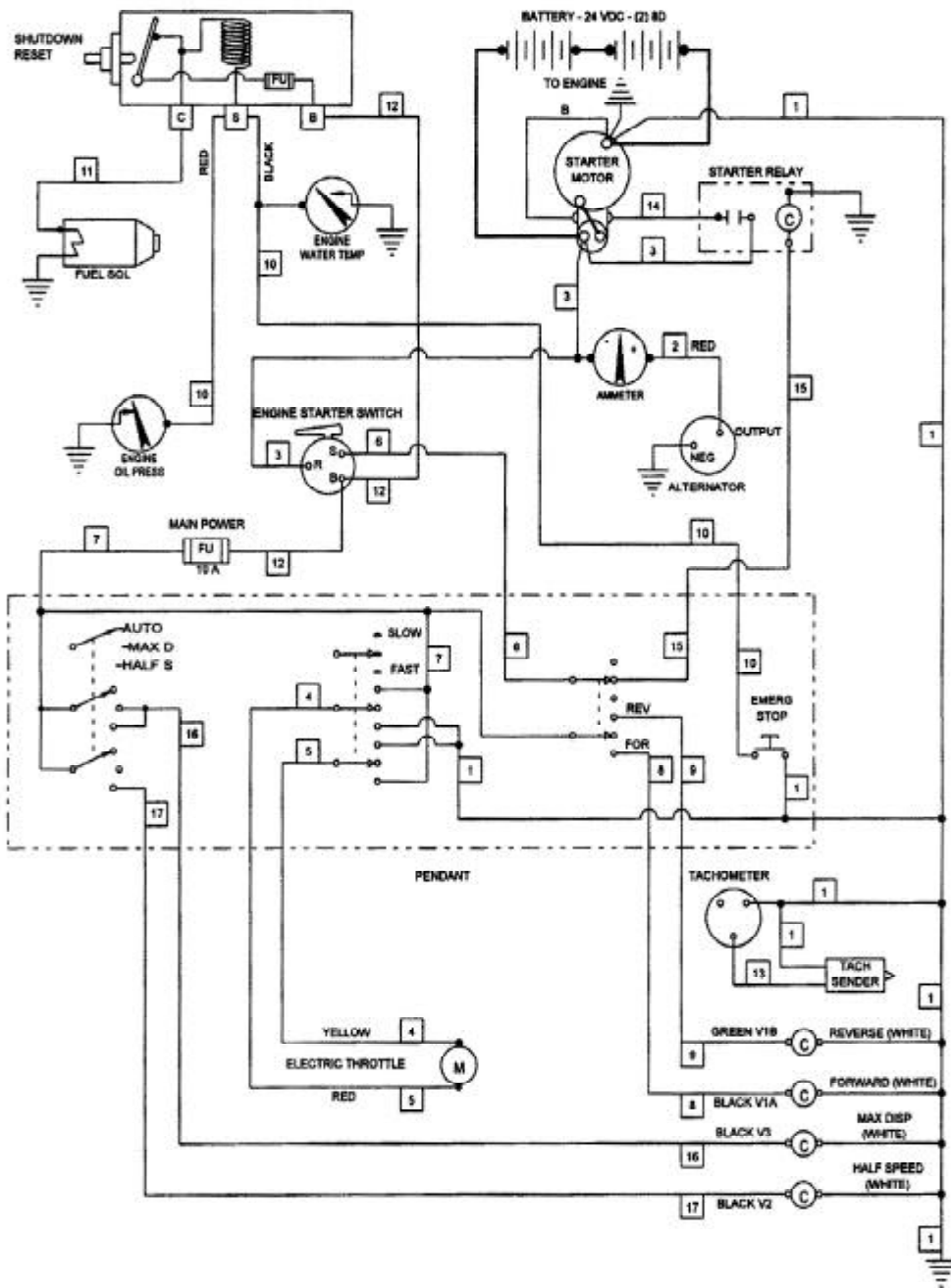


MODEL 35 AT
EARTH
AUGER

PARTS LIST

ELECTRICAL CIRCUITRY

ELECTRICAL SCHEMATIC





MODEL 35 AT
EARTH
AUGER

PARTS LIST

GENERAL DATA

ABBREVIATIONS

The abbreviations shown below are used throughout the parts lists and various other parts of the manual.

ASM.	Assembly
BHCS	Button Head Cap Screw
Cyl.	Cylinder
DC	Direct Current
FHCS	Flat Head Cap Screw
FLCS	Flanged Head Cap Screw
Gr	Grade
HC	High Collar
HHCS	Hex Head Cap Screw
HHPP	Hex Head Pipe Plug
HSSS	Hex Socket Set Screw
Hyd.	Hydraulic
ID	Inside Diameter
Lg.	Long
mm	Millimeter
Mtg.	Mounting
NPT.	National Pipe Thread
OD	Outside Diameter
PHMS	Phillips Head Machine Screw
P/N	Part Number
Qty.	Quantity
RHMS	Round Head Machine Screw
Sch.	Schedule
SHCS	Socket Head (Allen) Cap Screw
SHPP	Socket Head Pipe Plug
SHSS	Socket Head Shoulder Screw
S/N	Serial Number
Sol.	Solenoid
UNF	Unified National Fine thread
UNC	Unified National Course thread



MODEL 35 AT
EARTH
AUGER

PARTS LIST

VII. GENERAL DATA

SCREWS AND BOLTS

1. Practically all connections on the unit are made with socket head (Allen) cap screws. These high-strength screws are available at most industrial supply houses.
2. Screws and bolts are designated in the PARTS LIST in abbreviated form. (Refer to the previous page, for specific abbreviations). Listed below is a typical screw description:
.50 - 13 UNC x 1.50 Lg SHCS

.50 = Diameter
1.50 Lg = Length

13 UNC = Threads Per Inch
SHCS = Screw Type Abbreviation

SERIAL NUMBER LOCATIONS

1. The following J&M units are serial numbered separately:
 - a. Earth Auger
 - b. Power Unit
2. In addition to the serial number plate itself, the serial number is stamped into each unit in one or more places as follows:
 - a. Earth Auger stamped twice - once on the gear case cover, once on the gear case near the hose clamp plate.
 - b. Power unit stamped twice - once on the hydraulic oil reservoir, once on sub-base near the heat exchanger.



MODEL 35 AT
EARTH
AUGER

PARTS LIST

ORDERING PARTS

PROCEDURE

1. When ordering parts, be sure to include the model and serial number of the unit or component. Confirm all telephone orders immediately to avoid duplicating shipment.
2. ORIGINAL EQUIPMENT; Where component serial numbers are given, these apply only to equipment and components originally furnished with the unit. Where equipment has been changed or upgraded these numbers may not be an adequate description.
3. SHIPMENT; Specify shipping address, phone number, billing address and method of shipment. UPS and air express shipments must have street address for delivery. All shipments will be made freight collect unless instructed otherwise.
4. SHORTAGES; Claims for shortages, damage or errors should be made immediately upon receipt of parts. No responsibility will be assumed for delay, damage or loss of material while in transit. Broken, damaged or lost material should be refused or a full description made of damage or loss to the carrier agent on the freight or express bill.
5. RETURN OF PARTS; If for any reason you desire to return parts to the factory or to any distributor from whom these parts were obtained, you must first secure permission to return the parts. Shipping instructions will be given along with this permission. A fifteen percent handling charge must be assessed against the returned shipment unless an error is made by the factory or by the distributor when filling your order.



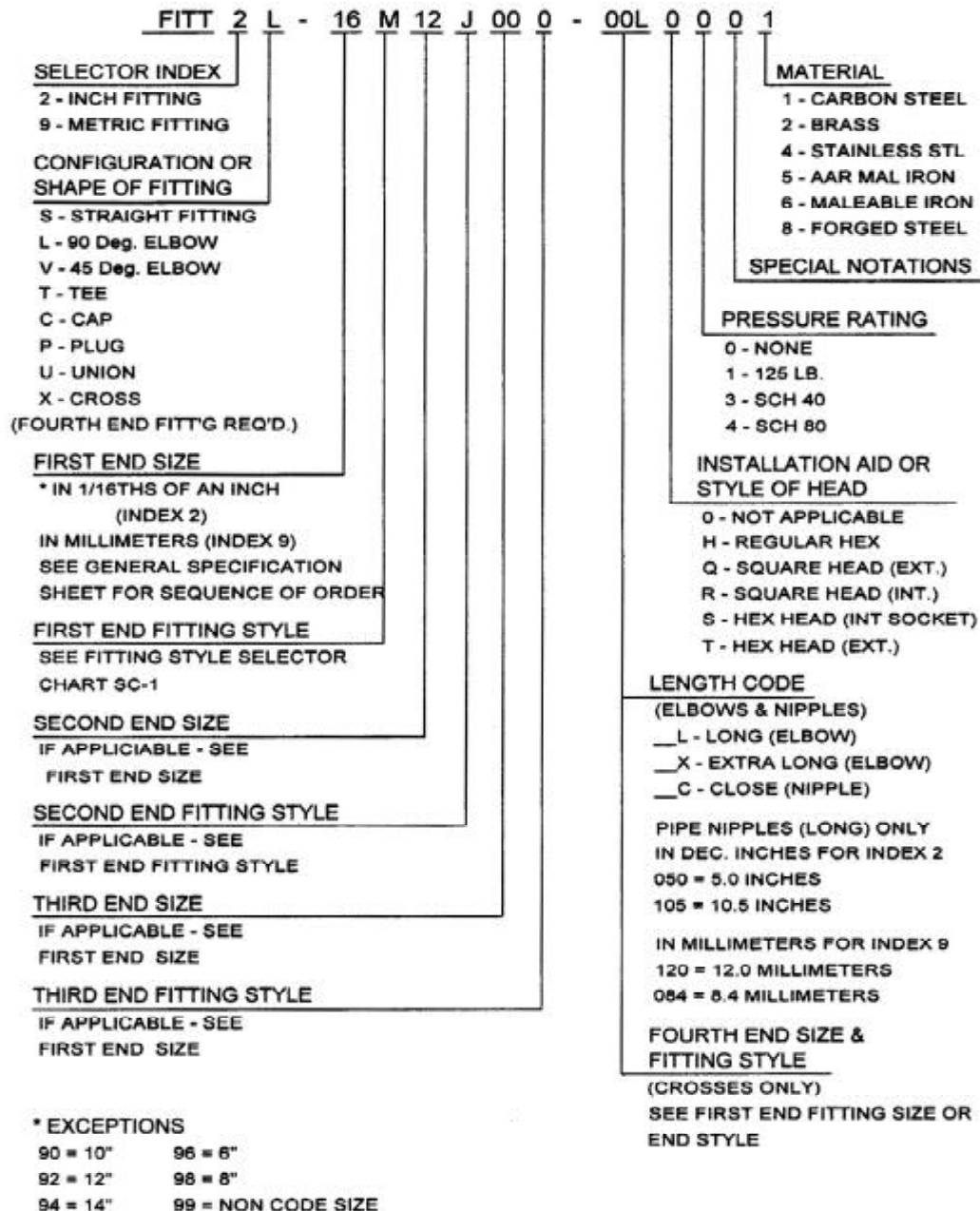
MODEL 35 AT
EARTH
AUGER

PARTS LIST

VIII. ORDERING PARTS

B. FITTING DESCRIPTION KEY

A Fitting Description code is used to describe all fittings in the Parts Identification section of this manual. The key below explains the structure of the code number in detail.





MODEL 35 AT
EARTH
AUGER

PARTS LIST


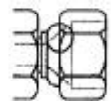

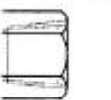


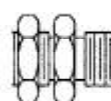
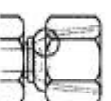

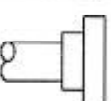

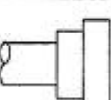
VIII. ORDERING PARTS

B. FITTING DESCRIPTION KEY (CONTINUED)

FITTING STYLE SELECTOR CHART

SC-1

FOR END FITTING STYLE SELECTION

M		JIC MALE 37 Deg. FLARE	J		JIC FEMALE 37 Deg. FLARE (& SWIVEL)
P		MALE PIPE NPT	Q		FEMALE PIPE NPTF
R		S.A.E. MALE O-RING (& ADJUSTABLE)	K		S.A.E. FEMALE O-RING
B		JIC MALE 37 Deg. FLARE BULKHEAD	N		FEMALE PIPE NPSM-SWIVEL
D		MALE PIPE NPT SWIVEL	F		SPLIT FLANGE 3000 PSI. CODE 61
S		B.S.P. MALE PIPE	H		SPLIT FLANGE 6000 PSI. CODE 62



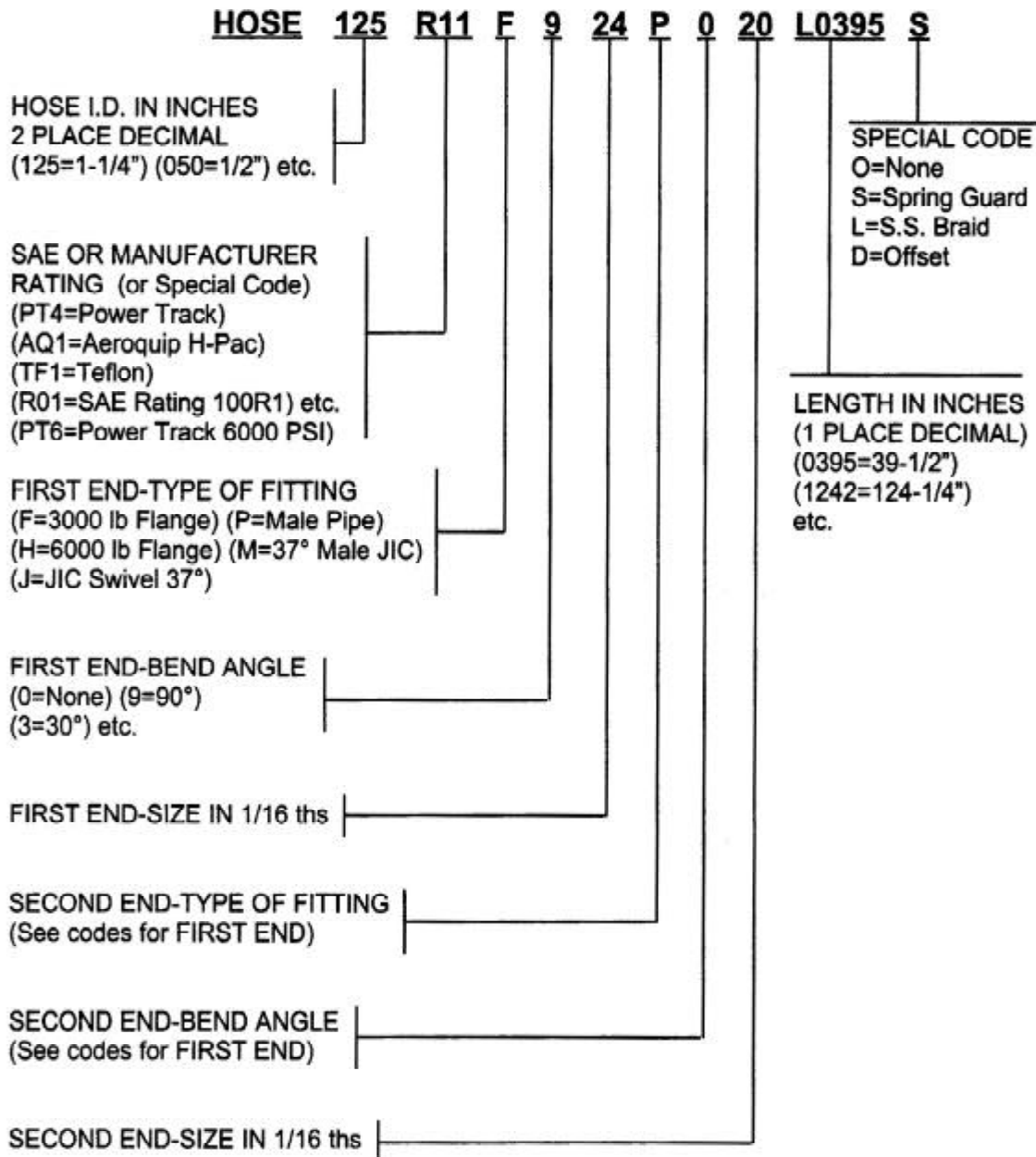
MODEL 35 AT
EARTH
AUGER

PARTS LIST

VIII. ORDERING PARTS

C. HOSE DESCRIPTION CODE

The HOSE DESCRIPTION CODE is a 24 digit number enabling easier and quicker identification whenever a hose replacement is desired. The key below explains the structure of the coded number in detail.



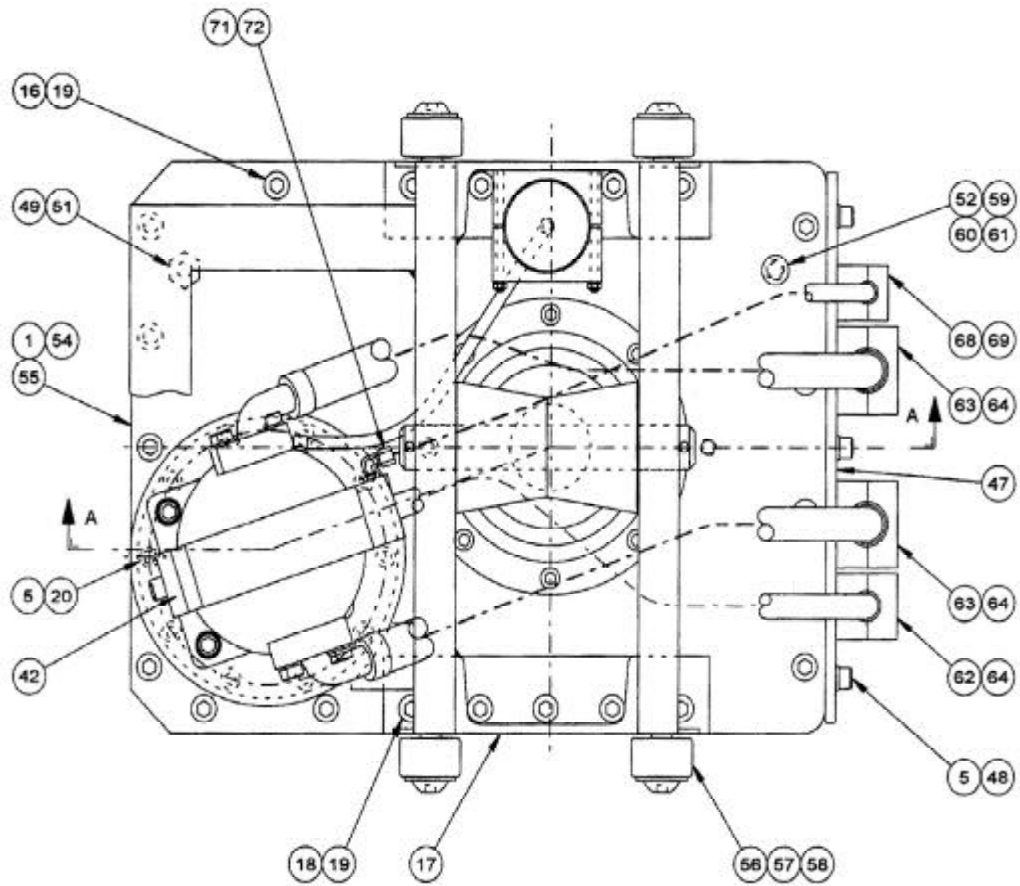


MODEL 35 AT
EARTH
AUGER

PARTS LIST

EARTH AUGER ASM

800435



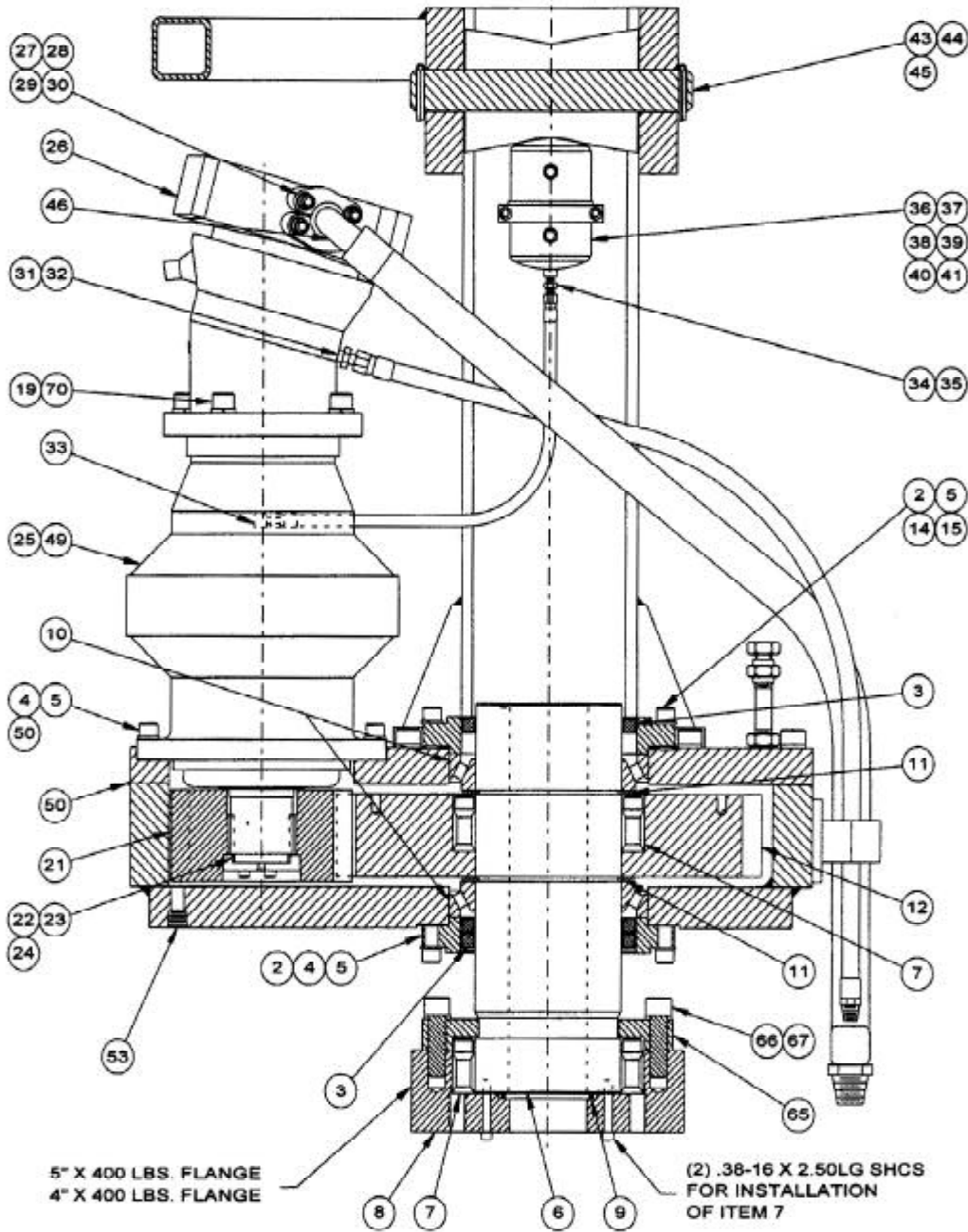


MODEL 35 AT
EARTH
AUGER

PARTS LIST

EARTH AUGER ASM

800435



SECTION A-A



MODEL 35 AT
EARTH
AUGER

PARTS LIST

EARTH AUGER ASM

800435

<u>Item</u>	<u>Part Number</u>	<u>Qty.</u>	<u>Description</u>
1	810555	1	3060 Auger Gear Box Pin Asm
2	400997	2	Retainer Ring
3	400948	3	Seal
4	100085	17	.625-11 X 2.25 Lg SHCS
5	100007	29	.625 Lock Washer-Medium
6	400998	1	Output Shaft
7	400946	2	7.5 Ring Feder Clamp
8	400999	1	Drive Flange
9	400944	1	425-O-Ring
10	400942	2	Bearing
11	400940	2	Snap Ring (7.50 Dia)
12	400993	1	Gear
13	400824	1	3060 Auger S/N Plate
14	400936	1	Shim Pack
15	100071	8	.625-11 X 2.5 Lg SHCS Loc Wel
16	400545	11	.75-10 UNC X 3.00 Lg SHCS
17	400978	1	Lifting Bale
18	140111	10	.75-10 X 4.00 Lg SHCS Loc Wel
19	100069	25	.75 Lock Washer Medium
20	130135	1	.625-11 X 3.5 Lg SHCS
21	400995	1	Pinion Gear
22	400970	1	Retainer
23	100051	3	.375-16 X 1.00 Lg Shcs Loc Wel
24	400149	5	.375 Lock Washer
25	400696	1	Planetary Drive & Adapter
26	400698	1	Hydraulic Motor Autotorque
27	400739	8	.50-13 UNC X 2.00 Lg HHCS
28	100121	8	.50 Lock Washer Medium
29	110986	4	#20 Ph Split Flange Half
30	110119	2	2-225 O-Ring
31	100609	1	FITT2S-12M12R000-000H001
32	110457	1	HOSE075R01J012P012L05300
33	400227	1	FITT2L-06M06P000-0000001
34	400926	1	HOSE038R01J006J006L02500
35	400203	1	FITT2S-06M06P000-000H001
36	400915	1	Expansion Tank Assembly
37	400919	2	4" U-Clamp
38	400923	2	.375-16 UNC X 7" Lg Allthread
39	100535	2	.375 -16 Hex Nut
40	400151	2	.375 Flat Washer



MODEL 35 AT
EARTH
AUGER

PARTS LIST

EARTH AUGER ASM

800435

<u>Item</u>	<u>Part Number</u>	<u>Qty.</u>	<u>Description</u>
41	400921	1	Mounting Bar
42	400925	1	Drain Plug (Planetary)
43	400976	1	Cable Bale
44	400974	1	Pin
45	300375	2	.312 X 50 Lg Cotter Pin
46	400662	2	HOSE125PT4P020H920L05800
47	400952	1	Hose Clamp Plate
48	100575	3	.625-11 X 1.25 Lg SHCS
49	110444	8	Transmission Oil / Gal.
50	100836	1	Silicone Sealant
51	400950	1	Dip Stick (3060)
52	400357	1	FITT2S-08P06Q000-000H001
53	100183	1	FITT2P-12P000000-000S007
54	100299	1	Primer/Gal
55	100298	1	J&M Green Paint/Gal
56	400013	8	Cam Roller
57	400321	8	1.0-8 X 3.25 Lg BHCS
58	120299	8	1.00 H. S. Flat Washer
59	400845	1	Breather
60	110143	1	FITT2S-06Q06Q000-000H001
61	130203	1	FITT2S-06P06P000-0300401
62	100013	1	Hose Clamp
63	100009	2	Hose Clamp
64	100011	6	.5-13 X 2.00 Lg SHCS
65	400764	1	Split Retainer
66	400760	8	.88-9UNC X 2.75 Lg SHCS
67	400911	8	.875 Hi Collar Lock Washer
68	100015	1	Hose Clamp
69	100143	2	.375-16 X 1.25 Lg Shcs Loc Wel
70	100067	4	.75-10 X 2.5 Lg SHCS Loc Wel
71	130057	1	FITT2L-06M06R000-000H001
72	400660	1	HOSE038R02006J006P061000

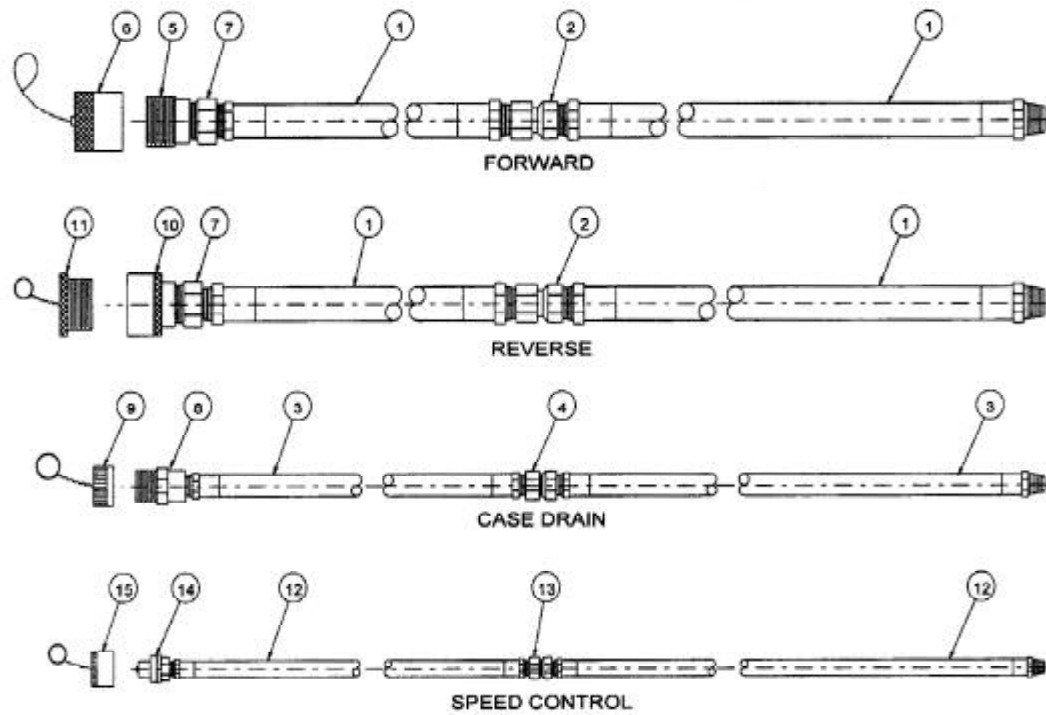


MODEL 35 AT
EARTH
AUGER

PARTS LIST

HOSE ASSEMBLIES - INTERCONNECTING

800531





MODEL 35 AT
EARTH
AUGER

PARTS LIST

HOSE ASSEMBLIES - INTERCONNECTING

800531

<u>Item</u>	<u>Part Number</u>	<u>Qty.</u>	<u>Description</u>
1	100233	4	HOSE125PT6P020P020L60000
2	100235	2	FITT2S-20Q20N000-000H001
3	100241	2	HOSE075R09P012P012L62000
4	100243	1	FITT2S-12Q12N000-000H001
5	110690	1	1.50 Male Disconnect
6	110955	1	1.50 Dust Cap
7	400159	2	FITT2S-24P20Q000-000H001
8	400251	1	.75 Male Disconnect
9	400253	1	.75 Dust Cap
10	110692	1	1.50 Female Disconnect
11	110957	1	1.50 Dust Plug
12	100247	2	HOSE038R02P006P006L62000
13	100249	1	FITT2S-06Q06N000-000H001
14	100245	1	.38 Male Disconnect
15	100257	1	.38 Dust Cap

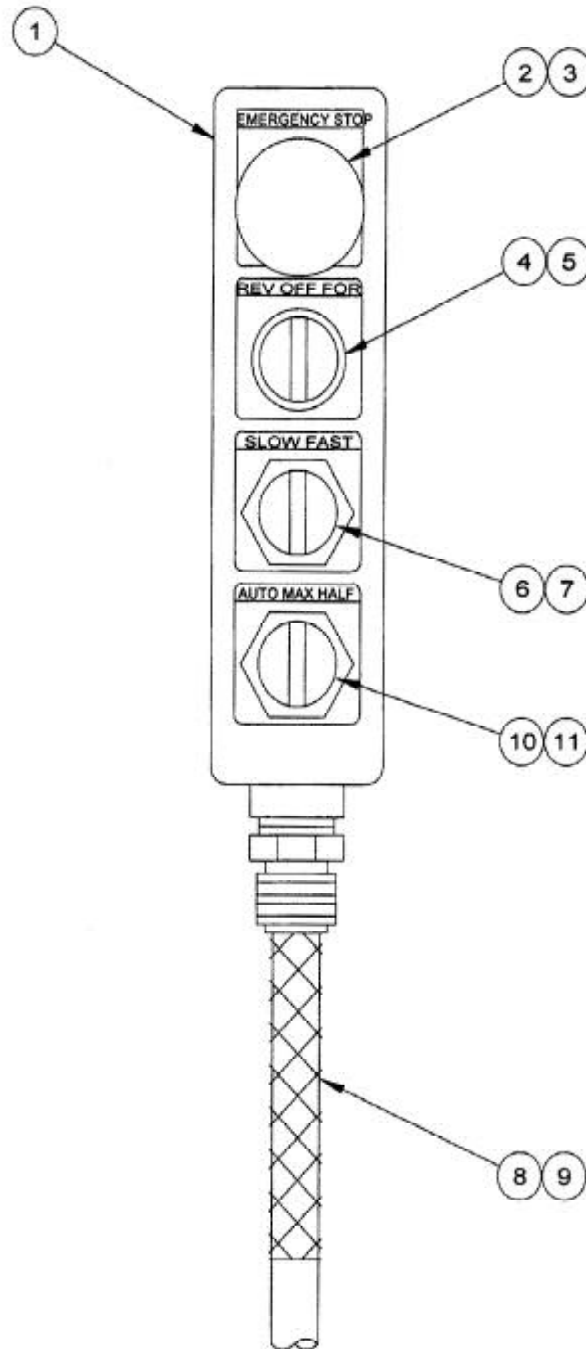


MODEL 35 AT
EARTH
AUGER

PARTS LIST

315 CONTROL PENDANT ASSEMBLY

810739





MODEL 35 AT
EARTH
AUGER

PARTS LIST

315 PENDANT ASSEMBLY

810739

<u>Item</u>	<u>Part Number</u>	<u>Qty.</u>	<u>Description</u>
1	130153	1	Pendant Enclosure
2	130509	1	Emergency Stop Label
3	130507	1	Emergency Stop Button
4	100864	1	Rev-Off-For Nameplate
5	130155	1	Switch
6	100562	1	Slow-Fast Nameplate
7	100566	1	Switch
8	110603	1	1.0 Strain Relief
9	100560	50	Pendant Cable/Ft
10	400720	1	Auto-Max-Half Label
11	400718	1	Switch 3 Position

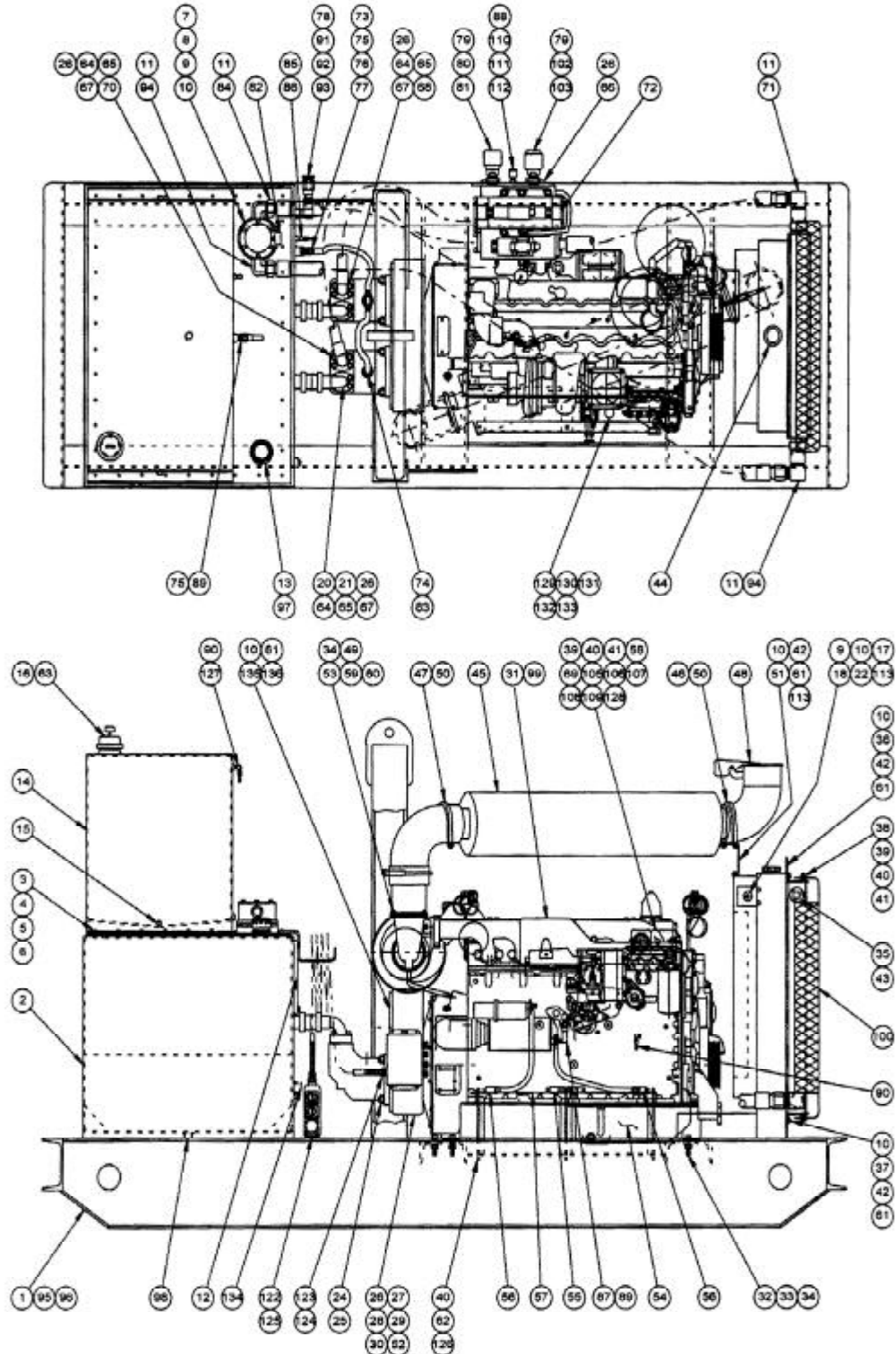


MODEL 35 AT
EARTH
AUGER

PARTS LIST

POWER UNIT ASSEMBLY

800437



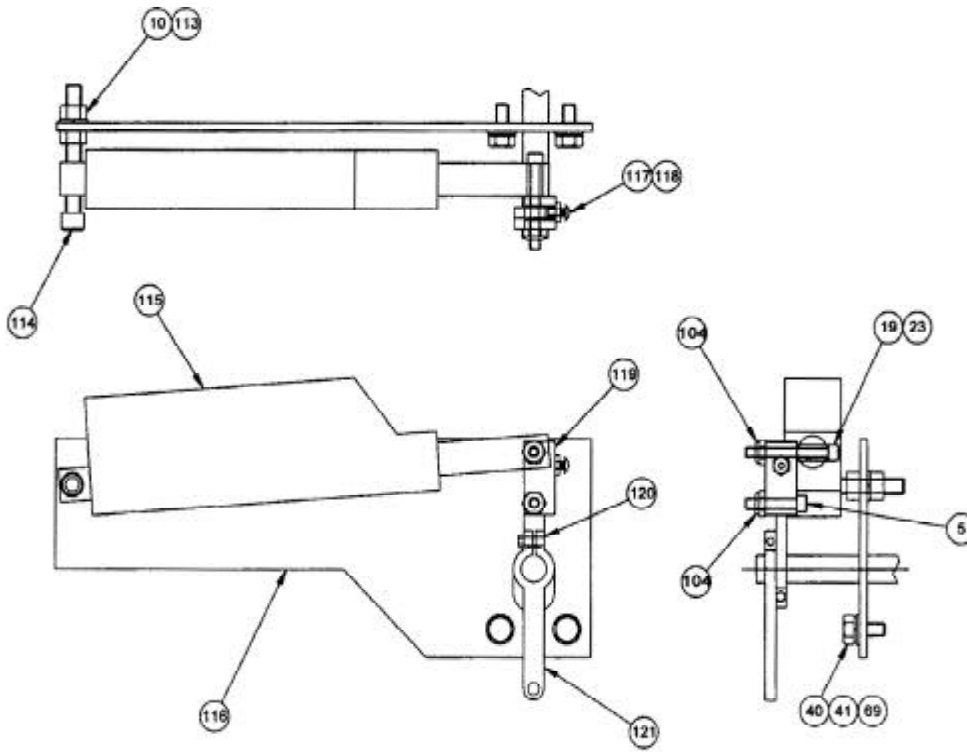


MODEL 35 AT
EARTH
AUGER

PARTS LIST

POWER UNIT ASSEMBLY

800437





MODEL 35 AT
EARTH
AUGER

PARTS LIST

POWER UNIT ASSEMBLY

800437

Item	Part Number	Qty.	Description
1	400752	1	315 Skid Subbase
2	400754	1	315 Hyd Reservoir
3	400958	1	Reservoir Cover
4	400956	1	Reservoir Cover Gasket
5	100595	39	.25-20 X 1.25 Lg SHCS
6	100559	38	.25 Lock Washer
7	400085	1	Return Filter Asm.
8	810119	2	K25 Element Assembly
9	100143	6	.375-16 X 1.25 Lg Shcs Loc Wel
10	400149	15	.375 Lock Washer
11	100588	4	FITT2L-24M24P000-0000001
12	400916	1	Sight Gage
13	300563	1	Breather/Filler
14	400914	1	Fuel Tank
15	100423	2	FITT2P-08P000000-000S007
16	100417	1	FITT2C-48Q000000-0000306
17	100429	1	Throttle Cable Seal
18	130255	1	Engine Throttle
19	100631	1	.25-20 X 2.00 Lg SHCS
20	100458	2	90 Deg. Flanged Adapter 20ph
21	100454	2	2"Tube Flex Master
22	400750	1	Throttle Bracket
23	110244	1	Tube
24	100406	2	Main Pump(F12-110)
25	100782	8	.75-10 Flange Nut
26	100121	27	.5 Lock Washer Medium
27	100512	1	Multi-Pump Adapter
28	100462	12	.437-14 UNC X 1.25 Lg HHCS
29	100443	12	.437 Lock Washer
30	100445	8	.5-13 X 1.00 Lg Shcs Loc Wel
31	100508	1	3306ta Diesel Engine
32	100085	6	.625-11 X 2.25 Lg SHCS
33	100086	6	.625-11 Esna Nut
34	100007	10	.625 Lock Washer-Medium
35	400099	1	Heat Exchanger
36	400922	1	Top Cooler Bracket
37	400920	1	Bottom Cooler Bracket
38	400900	8	.312-18 UNC X 1.50 Lg HHCS
39	100289	22	.312-18 Hex Nut
40	100293	33	.312 Flat Washer



MODEL 35 AT
EARTH
AUGER

PARTS LIST

POWER UNIT ASSEMBLY

800437

<u>Item</u>	<u>Part Number</u>	<u>Qty.</u>	<u>Description</u>
41	100287	22	.312 Lock Washer
42	100051	6	.375-16 X 1.0 Lg SHCS Loc Wel
43	130733	1	FITT2P-24P000000-000Q001
44	100726	7	Antifreeze/Gal
45	400898	1	Muffler
46	400896	1	Elbow (5"-90 Deg.)
47	400894	1	Exhaust Outlet Elbow
48	140411	1	5.0 Rain Cap
49	400892	1	Exhaust Adapter
50	140369	3	5 In. U-Clamp
51	400918	1	Muffler Bracket
52	110444	2	Transmission Oil / Gal.
53	110225	4	.625-11 X 1.50 Lg BHCS
54	400890	2	Battery
55	110653	1	Battery Cable-6
56	100537	2	Battery Cable-24"
57	400888	1	Battery Holddown
58	110371	1	Ammeter
59	100273	4	.625-11 Hex Nut
60	400886	1	Exhaust Adapter Gasket
61	400151	8	.375 Flat Washer
62	400231	3	Hold Down Stud
63	400845	1	Breather
64	110986	8	#20 Ph Split Flange Half
65	100037	4	2-222 O-Ring 90 Duro
66	100119	3	.5-13 X 1.25 Lg Shcs Loc Wel
67	400739	16	.5-13 UNC X 2.00 Lg HHCS
68	400734	1	HOSE100PT4H920F020L03200
69	150179	6	.312-18 X .75 HHCS
70	400736	1	HOSE100PT4H920F020L03800
71	400726	1	HOSE150R01J024F02406100
72	810737	1	315 Control Manifold Asm
73	400409	1	FITT2S-12P08Q000-000H001
74	110265	1	HOSE050R01J008J008L02400
75	110173	1	FITT2S-08M08P000-000H001
76	140757	1	FITT2T-08M08M08J-000H001
77	100486	1	HOSE050R01J008J008L01450
78	120049	1	FITT2S-12P12P000-000H001
79	110037	2	FITT2S-24P24P000-000H001
80	110690	1	1.50 Male Disconnect



MODEL 35 AT
EARTH
AUGER

PARTS LIST

POWER UNIT ASSEMBLY

800437

Item	Part Number	Qty.	Description
81	110955	1	1.50 Dust Cap
82	100436	1	Gage (0-60 Psi.)
83	110325	2	FITT2S-12R08M000-000H001
84	100482	1	HOSE150R02J024J024L07200
85	110203	1	FITT2S-04M04P000-000H001
86	110805	1	HOSE019R01J004J004L05500
87	100787	1	FITT2L-08M08R000-000H001
88	400728	1	HOSE038R01J006J006L01900
89	400854	1	HOSE050R01J008J008L12000
90	100319	1	HOSE025R02J004J004L16000
91	400773	1	FITT2L-12P12Q000-0000306
92	400095	1	.75 Female Disconnect
93	400121	1	.75 Dust Plug
94	100500	1	HOSE150R01J024J024L11800
95	100299	2	Primer/Gal
96	100298	2	J&M Green Paint/Gal
97	140415	232	Hydraulic Fluid/Gal
98	100183	1	FITT2P-12P000000-000S007
99	400247	28	Engine Oil/Quart
100	810561	1	Cooler Screen Guard
102	110692	1	1.50 Female Disconnect
103	110957	1	1.50 Dust Plug
104	100422	2	.25-20 UNC Esna Nut
105	400748	1	Switch Bracket
106	130259	1	Start Switch
107	130257	1	Reset Button
108	100329	1	Oil Pressure Gauge
109	130251	1	Water Temp Gauge
110	100383	1	FITT2S-06P06B000-000H001
111	100777	1	.375 Female Disconnect
112	100737	1	.375 Dust Plug
113	100535	5	.375 -16 Hex Nut
114	110913	1	.38-16 X 3.00 Lg SHCS
115	110246	1	Electric Actuator (24V)
116	110254	1	Elec Throttle Bracket
117	110827	1	10-32 X .75 BHCS S.S.
118	400163	1	#10-32 Hex Nut
119	110448	1	Adjustable Link
120	810617	1	Modified Throttle Arm



MODEL 35 AT
EARTH
AUGER

PARTS LIST

POWER UNIT ASSEMBLY

800437

<u>Item</u>	<u>Part Number</u>	<u>Qty.</u>	<u>Description</u>
121	110446	1	Throttle Arm
122	400732	1	Pendant Wire Hanger
123	110229	3	S/O Cord 6' Lg
124	810735	1	315 Engine Junction Box
125	810739	1	315 Control Pendant Asm
126	100831	3	.312 Wing Nut
127	100145	1	FITT2L-04M04P000-0000001
128	110650	1	Tachometer (570)
129	100504	1	24v Solenoid
130	100428	1	Solenoid Bracket
131	130061	2	#10-32 X .50 BHCS Strn Stl
132	300671	2	#10 Flat Washer
133	400161	2	#10 Lock Washer
134	100063	1	FITT2P-16P000000-000S007
135	400724	1	Pump Pad Cover
136	100700	2	.375-16 UNC X 1.25 HHCS
137	400814	1	Auger Power Unit S/N Plate

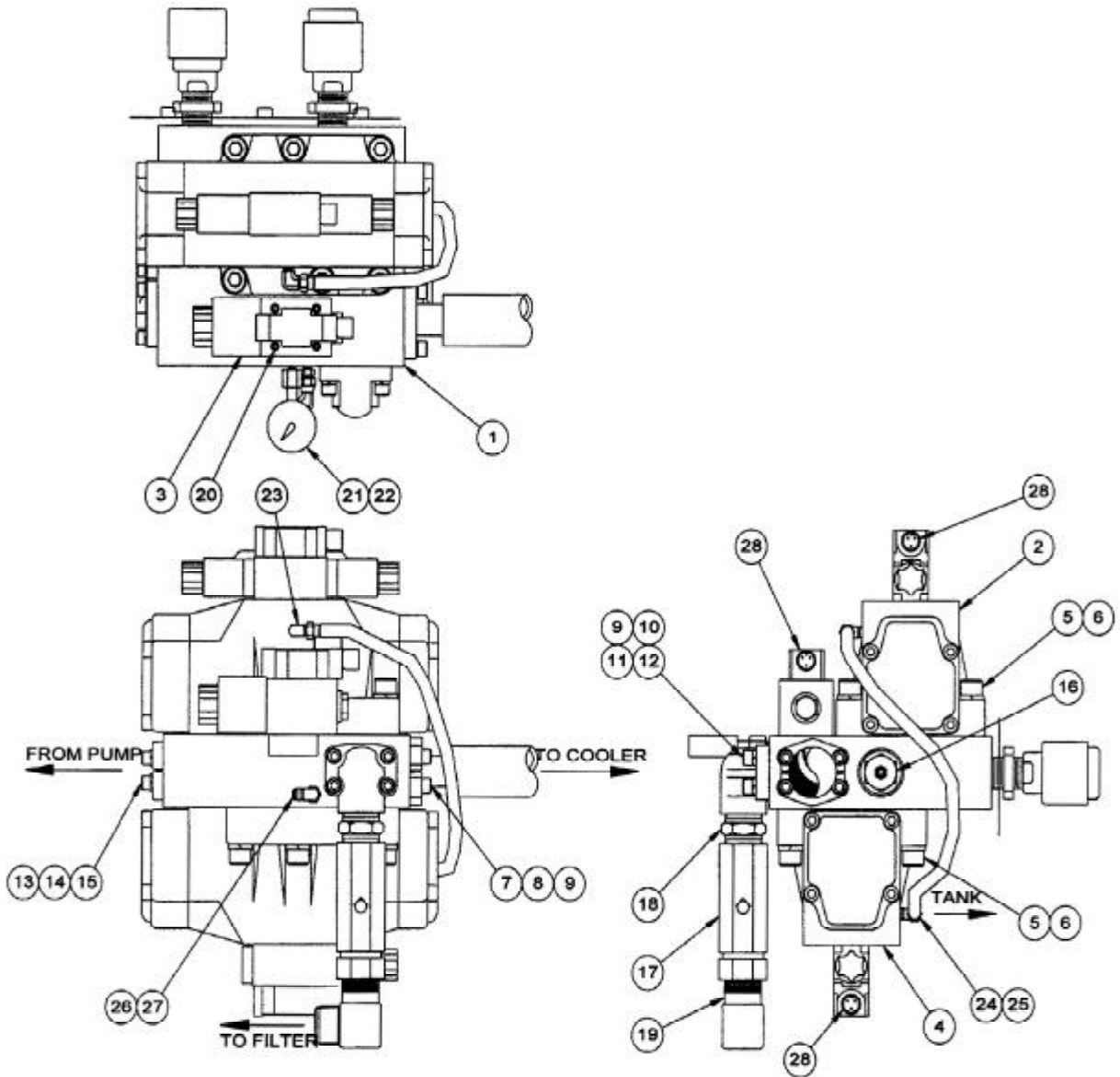


MODEL 35 AT
EARTH
AUGER

PARTS LIST

CONTROL MANIFOLD ASSEMBLY

810737





MODEL 35 AT
EARTH
AUGER

PARTS LIST

CONTROL MANIFOLD ASSEMBLY

810737

<u>Item</u>	<u>Part Number</u>	<u>Qty.</u>	<u>Description</u>
1	400756	1	Drive Manifold
2	400786	1	4-Way Valve – 24V (V1)
3	400738	1	Solenoid Valve (V3)
4	400740	1	Sequential Valve (V2)
5	400039	12	.75-10UNC X 2.75 Lg SHCS
6	100069	12	.75 Lock Washer Medium
7	100596	2	#24 Split Flange Half
8	100119	4	.5-13 X 1.25 Lg SHCS Loc Wel
9	110119	2	2-225 O-Ring
10	160461	1	#24-90 Solid Flange
11	100163	4	.50-13 X 1.75 Lg SHCS Loc Wel
12	100027	4	.50 Hi-Collar Lock Washer
13	100045	4	#20 Pa Split Flange Half
14	100037	2	2-222 O-Ring 90 Duro
15	100851	8	.438-14 X 1.25 Lg SHCS
16	400742	1	Relief Valve
17	130339	1	1.50 Check Valve
18	110037	1	FITT2S-24P24P000-000H001
19	100588	1	FITT2L-24M24P000-0000001
20	110260	4	.25-20 x 2.75 SHCS
21	100825	1	FITT2S-04Q02P000-000H001
22	110600	1	0-6000 Psi Gage
23	100145	1	FITT2L-04M04P000-0000001
24	100719	1	HOSE025R02J004J004L03000
25	130229	1	FITT2T-04M04M04P-0000001
26	140385	1	FITT2S-06M02P000-000H001
27	400411	1	FITT2L-06M06J000-000H001
28	110237	3	Str S/O Cord Adapter

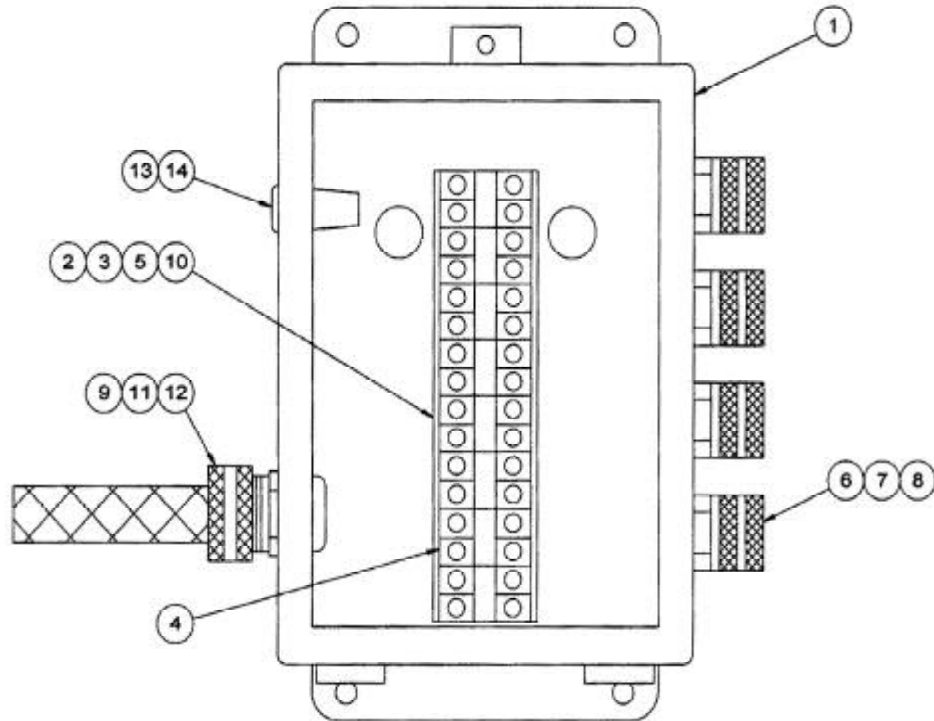


MODEL 35 AT
EARTH
AUGER

PARTS LIST

ENGINE JUNCTION BOX

810735





MODEL 35 AT
EARTH
AUGER

PARTS LIST

ENGINE JUNCTION BOX

810735

<u>Item</u>	<u>Part Number</u>	<u>Qty.</u>	<u>Description</u>
1	110699	1	Junction Box-Jic
2	400161	2	#10 Lock Washer
3	400163	2	#10-32 Hex Nut
4	110567	8	Terminal Block
5	110569	6	Terminal Mtg. Channel/In
6	100855	4	Straight S/O Comp Fitt
7	110843	4	.50 Locknut
8	110841	4	.50 Plastic Bushing
9	100371	1	Strain Relief
10	110649	2	#10-32 X .375 Lg PHMS
11	130409	1	.75 Lock Nut
12	130411	1	.75 Plastic Bushing
13	400834	1	In-Line Fuse Holder
14	400832	1	10 Amp Fuse

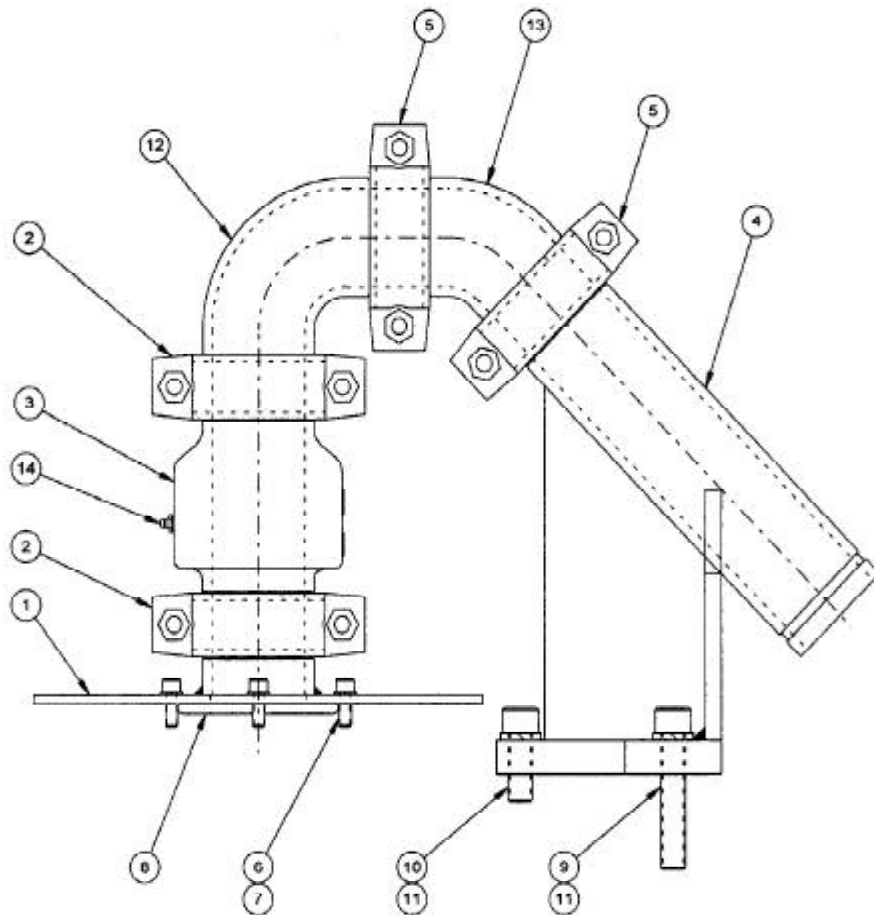


MODEL 35 AT
EARTH
AUGER

PARTS LIST

3" ROTARY JOINT ASSEMBLY

800363





MODEL 35 AT
EARTH
AUGER

PARTS LIST

3" ROTARY JOINT ASSEMBLY

800363

<u>Item</u>	<u>Part Number</u>	<u>Qty.</u>	<u>Description</u>
1	400982	1	3" Swivel Adapter
2	400477	2	3" Victaulic Coupling
3	810551	1	3" Swivel Joint Asm.(J&M)
4	400972	1	Grout Pipe
5	400881	2	3" 75 Coupling
6	100051	6	.375-16 X 1.0 Lg SHCS Loc Wel
7	400149	6	.375 Lock Washer
8	400944	1	425-O-Ring
9	140111	2	.75-10 X 4.0 Lg SHCS Loc Wel
10	400069	1	.75-10 x 2.0 Lg SHCS
11	100069	3	.75 Lock Washer Medium
12	400877	1	3-90 Elbow
13	400879	1	3-45 Elbow
14	100229	1	Grease Fitting



MODEL 35 AT
EARTH
AUGER

PARTS LIST

RECOMMENDED TIGHTENING TORQUE

Nominal Screw Size	Nominal Socket Size	Tightening Torque Ft-Lbs. (Kg-M)	Nominal Screw Size	Nominal Socket Size	Tightening Torque Ft-Lbs. (Kg-M)
#10-24	5/32	6 Ft-Lbs. (.83 Kg-M)	#10-32	5/32	6 Ft-Lbs. (.83 Kg-M)
1/4-20	3/16	13 Ft-Lbs. (1.8 Kg-M)	1/4-28	3/16	15 Ft-Lbs. (2.1 Kg-M)
5/16-18	1/4	27 Ft-Lbs. (3.7 Kg-M)	5/16-24	1/4	30 Ft-Lbs. (4.2 Kg-M)
3/8-16	5/16	48 Ft-Lbs. (6.6 Kg-M)	3/8-24	5/16	55 Ft-Lbs. (7.6 Kg-M)
7/16-14	3/8	77 Ft-Lbs. (10.6 Kg-M)	7/16-20	3/8	86 Ft-Lbs. (11.9 Kg-M)
1/2-13	3/8	119 Ft-Lbs. (16.4 Kg-M)	1/2-20	3/8	133 Ft-Lbs. (18.4 Kg-M)
5/8-11	1/2	234 Ft-Lbs. (32.3 Kg-M)	5/8-18	1/2	267 Ft-Lbs. (36.9 Kg-M)
3/4-10	5/8	417 Ft-Lbs. (57.6 Kg-M)	3/4-16	5/8	467 Ft-Lbs. (64.5 Kg-M)
7/8-9	3/4	676 Ft-Lbs. (93.4 Kg-M)	7/8-14	3/4	742 Ft-Lbs. (102.5 Kg-M)
1-8	3/4	1,009 Ft-Lbs. (139.4 Kg-M)	1-12	3/4	1,126 Ft-Lbs. (155.6 Kg-M)
1-1/4-7	7/8	1,600 Ft-Lbs. (221.1 Kg-M)	1-1/4-12	7/8	1,800 Ft-Lbs. (248.8 Kg-M)
1-1/2-6	1	2,800 Ft-Lbs. (387 Kg-M)	1-1/2-12	1	3,000 Ft-Lbs. (414.6 Kg-M)

NOTE: These values are for Socket head cap screws only. Button heads, Flat heads and Set screws have different values. Check the Allen Hand Book for correct torque specifications.