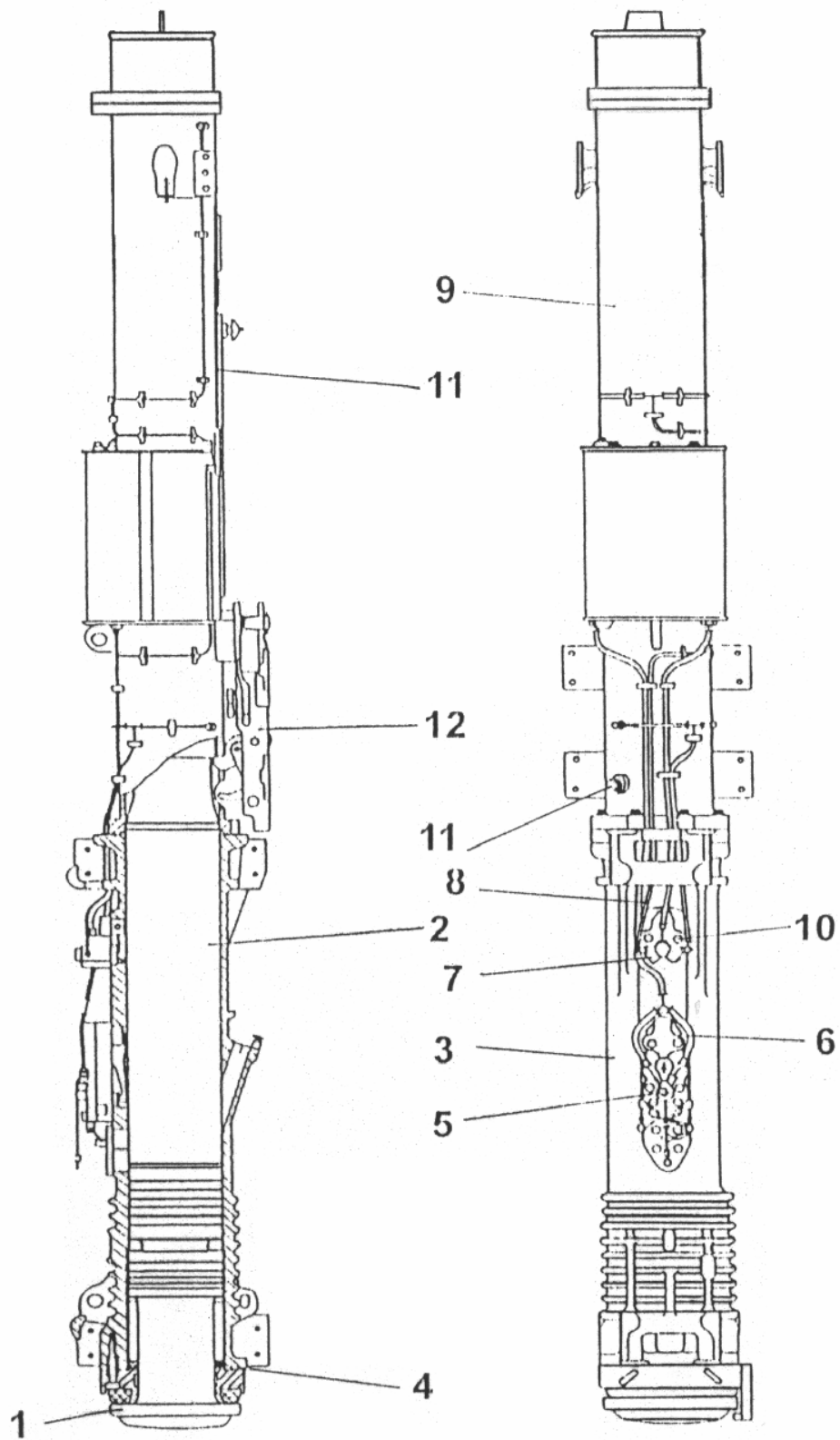


# MODEL D12-42 DIESEL PILE HAMMER

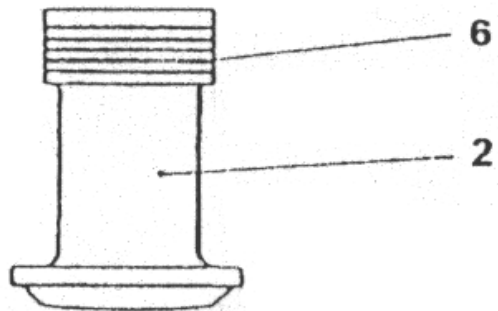
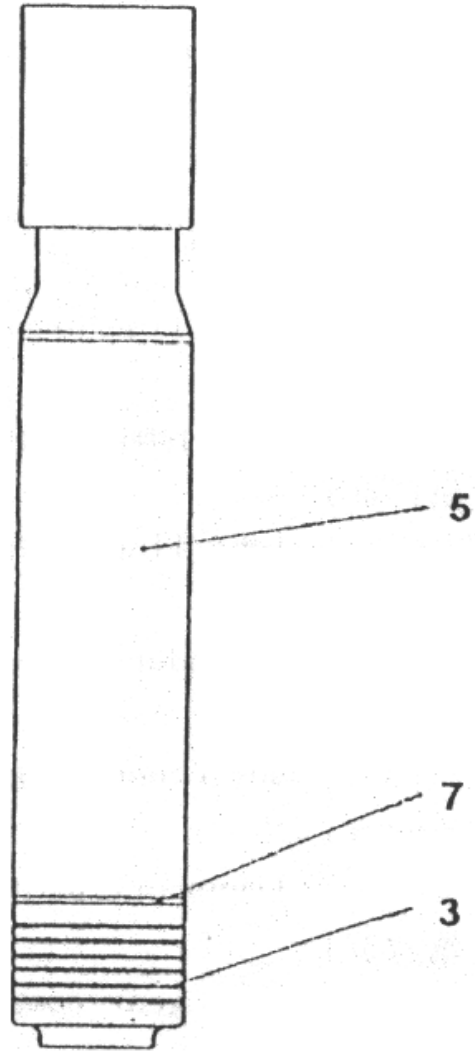


## SPARE PARTS BOOK

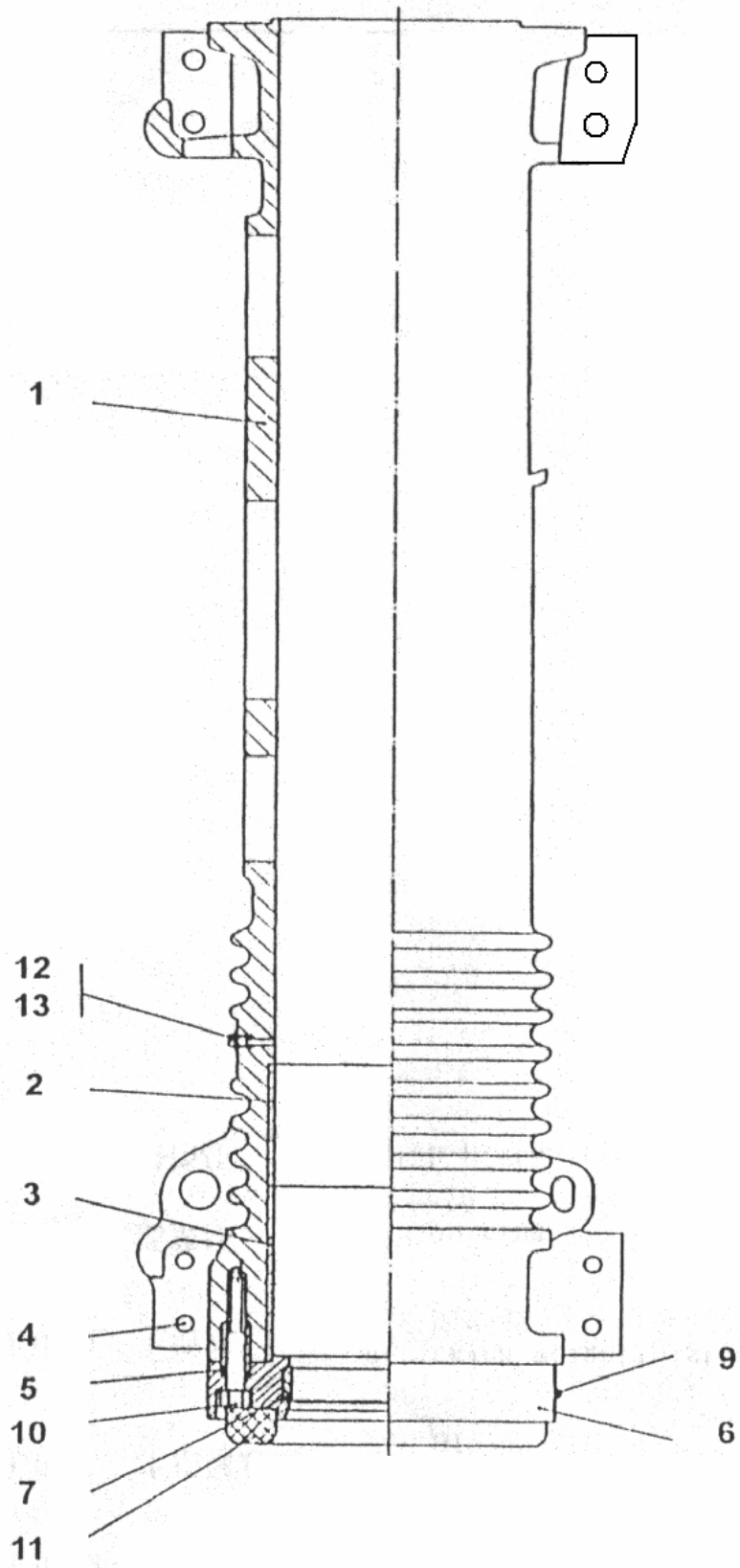
Corporate Office  
7032 S. 196th Street  
Kent, WA, USA 98032  
Tel: 1-800-248-8498  
Tel: 1-253-872-0141  
Fax: 1-253-872-8710



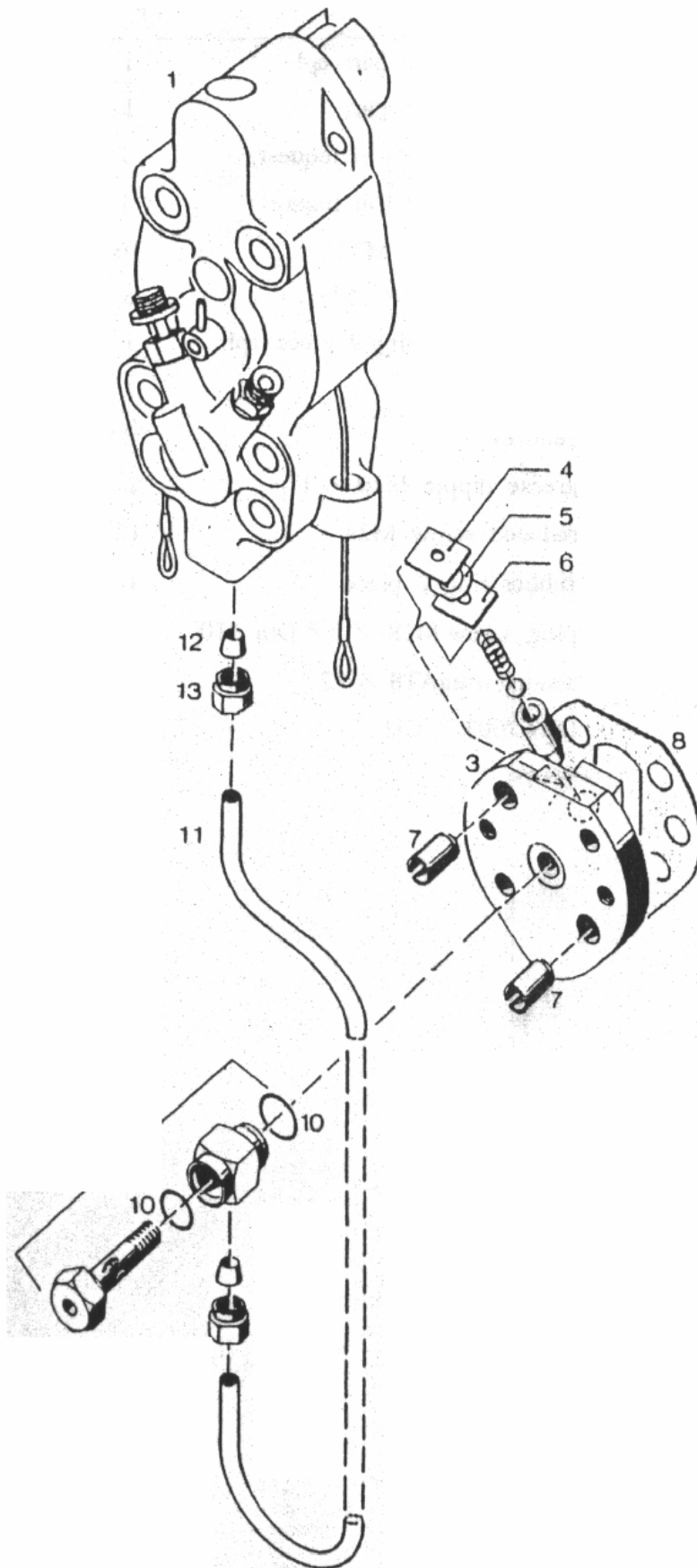
No.	Part No	Description	Qty	Ref. No.
	141.00	Diesel Pile Hammer D12-42	1	
1	141.08.00	Impact Block Cpl. (Page 5)	1	119046
2	141.09.00	Striking Weight (Piston) Cpl. (Page 5)	1	119047
3	141.01.00	Cylinder Lower Part Cpl.(Page 7)	1	119007
4	141.00-1	Inner Damping Ring.	1	119048
5	141.02.00	Variable-Delivery Fuel Pump Cpl. (Page 9-11)	1	119045
6	141.11.00	Fuel Line/Breather Line Cpl.(Page 15)	1	119052
7	135.07.00	Lube Pump Cpl. (Page 17)	1	108308
8	131.12.00	Lube Line With Connecting Parts Cpl. (Page 19)	1	102127
9	141.03.00	Cylinder Upper Part Cpl.(Page 23)	1	119022
10	141.06.00	Set Connecting Parts Cpl.(Page 25)	1	119051
11	141.10.00	Transport Protection Kit Cpl.(Page 27)	1	119049
12	131.05.00	Trip Gear Cpl.	1	104694
-	131.16.00	Tool Box Cpl.	1	102139



<b>No.</b>	<b>Part No.</b>	<b>Description</b>	<b>Qty</b>	<b>Ref. No.</b>
1	141.08.00	Impact Block Cpl.	1	119046
2	141.08.00-1	Impact Block (Anvil)	1	119003
3	141.08.00-2	Piston Ring,	5	2589
4	141.09.00	Striking Weight (Piston) Cpl	1	119047
5	141.09.00-1	Striking Weight (Piston)	1	119004
6	141.08.00-2	Piston Ring	6	2589
7	141.09.00-2	Catch Piston Ring	1	708

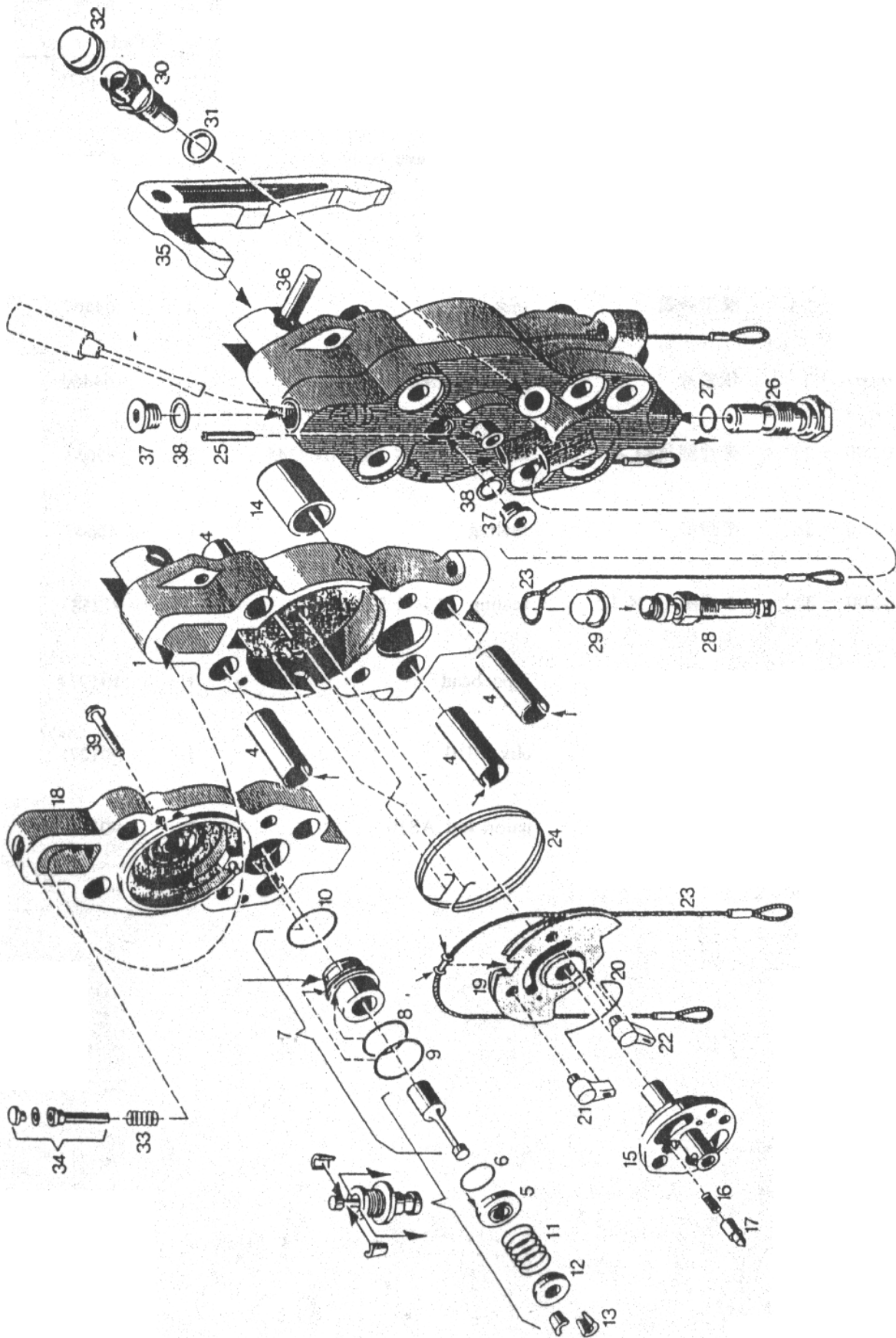


No.	Part No.	Description	Qty	Ref. No.
	141.01.00	Cylinder Lower Part Cpl.	1	119007
1	141.01.01	Lower Cylinder	1	119008
2	141.01.01-1	Cylinder Sleeve (On Request)	1	
3	141.01.01-2	Cylinder Sleeve (On Request)	1	
4	135.01.01-3	Threaded Insert M24	16	95582
5	135.06.00-4	Dowel Pin 40X75	8	95195
6	141.01.02.01	Cylinder End Ring 2 Piece Cpl.	1	119019
7	141.01.02-1	Ring 2 Piece	1	119005
8	135.01.02-2	Reducer	2	22952
9	135.01.02.02A	Grease Nipple M10 X 1	2	90791
10	135.06.00-2	Reduced Srew M24	12	20174
11	141.01.00-1	Rubber Ring 2 Piece	1	102101
12	Jb1000-77	Plug Screw M18 X 1.5 Din 910	1	91460
13	135.01.00-2	Seating Ring A18 X 22	1	90002

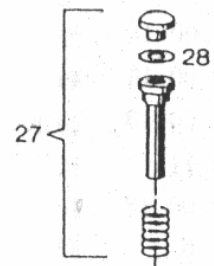
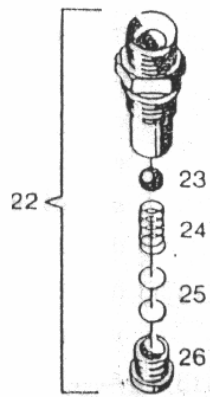
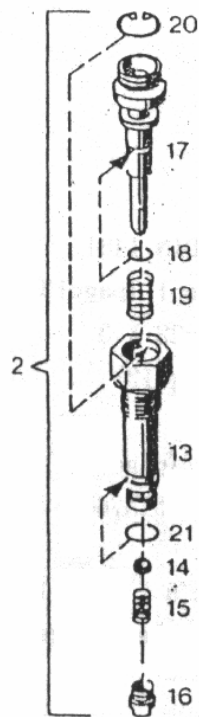
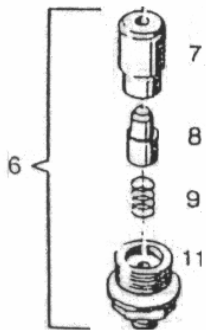
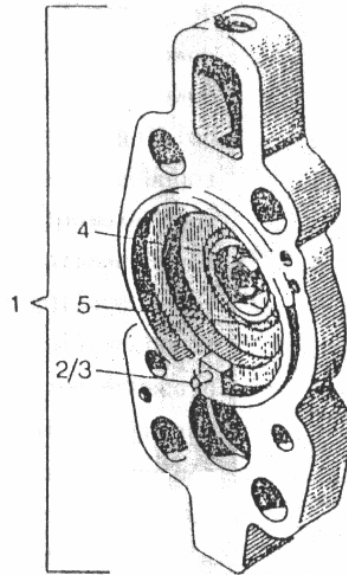




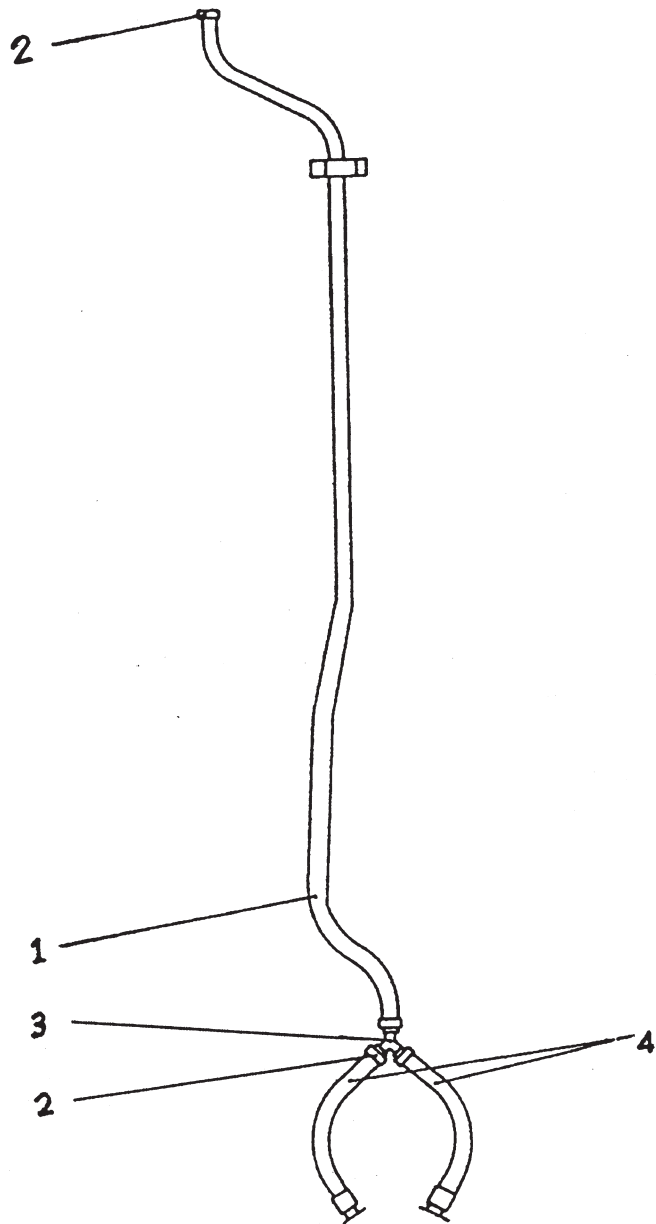
<b>No.</b>	<b>Part No.</b>	<b>Description</b>	<b>Qty</b>	<b>Ref No.</b>
1	136.02.02	Injection Valve Cpl.	1	104675
2	135.02.07-2	Spring Washer	1	64461
3	135.02.07-3	Locking Plate	2	64460
4	135.02.07-4	Valve Piston	1	63843
5	135.02.07-5	Pressure Spring	1	97569
6	135.02.07-7	Adjusting Washer	1	97573
7	135.02.00-26	Threaded Pipe Joint	1	97308
8	135.02.00-27	Dowel Pin 21X28	2	95633
9	135.02.00-28	Sealing	1	45647
10	135.02.00-32	Round Sealing Ring 17X1.5	2	97258
11	135.02.00-33	Hollow Screw	1	97308
12	132.02.08	High Pressure Hose	1	



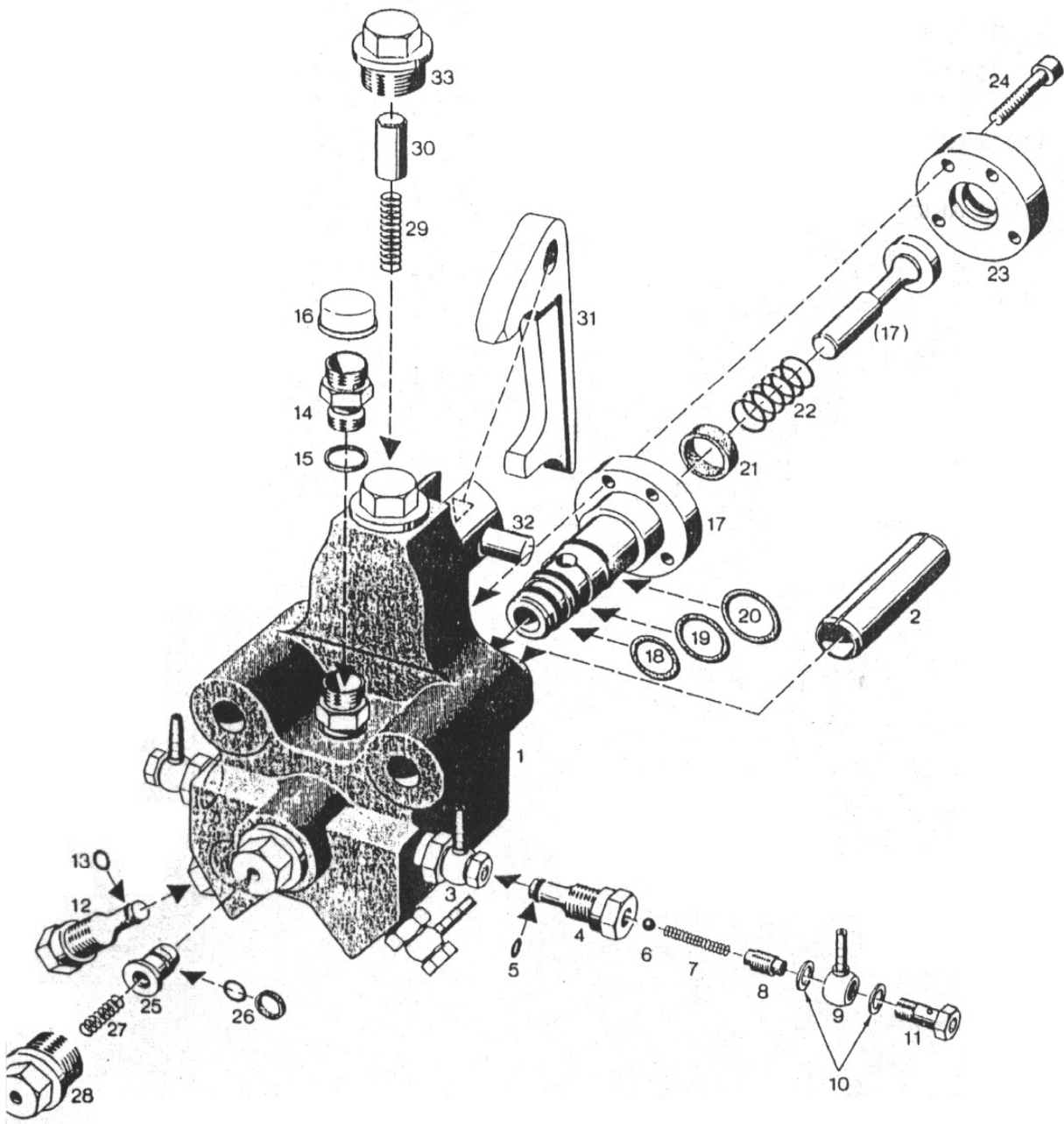
No.	Part No.	Description	Qty	Ref. No.
	141.02.00	Variable-Delivery Fuel Pump	1	122469
1	135.02.05	Pump Bobby Cpl.	1	43289
2	GB879-76	Dowel Pin 6X28	1	90137
3	GB879-76	Dowel Pin 5X40	1	90155
4	135.02.00-25	Dowel Pin 28X80	4	94315
5	135.02.00-24	Holder Ring	1	43994
6	135.02.00-19	Round Sealing Ring 35X2.5	1	92996
7	141.02.03	Pump Element Cpl.	1	122470
8	135.02.03-3	Round Sealing Ring 40X2.5	1	91339
9	135.02.03-2	Round Sealing Ring 47X2.5	1	96080
10	135.02.03-1	Round Sealing Ring 42X3	1	95933
11	135.02.00-20	Pressure Spring 28X67.2x3.5	1	22060
12	135.02.00-21	Spring Retaining Collar	1	22058
13	135.02.00-22	Conical Ring 2 Piece	1	22059
14	135.02.00-23	Guide Sleeve	1	43287
15	135.02.01	Switch Shaft	1	43308
16	135.02.00-11	Pressure Spring 5.5X20x1.2	1	22044
17	135.02.00-10	Screen Pin	1	22049
18	135.02.02	Pump Cover Cpl.	1	43291
19	135.02.04	Rope Disc Cpl.	1	22040
20	135.02.00-15	Spring	1	22245
21	135.02.00-13	Cam	1	22052
22	135.02.00-14	Cam	1	22051
23	135.02.11	Regulation Rope	2	17546
24	135.02.00-18	Swivel Spring	1	22062
25	GB879-76	Dowel Pin 6X40	1	90150
26	132.02.06	Check-Non-Return Valve	1	43296
27	135.02.00-12	Round Sealing Ring 22X3	1	91296
28	135.02.10	Stop Valve Cpl.	1	41868
29	135.02.00-31	Protecting Cap	1	93236
30	135.02.09	Suction Valve Cpl.	1	41863
31	135.02.00-29	Sealing Ring A20x24	1	92031
32	135.02.00-31	Protecting Cap	1	93236
33	135.02.00-8	Pressure Spring 14.5X34x1	1	22046
34	135.02.00-9	Pressure Piece Complete	1	62125
35	135.02.00-17	Pump Lever	1	41869
36	135.02.00-16	Pin	1	22043
37	JB1001-77	Plug Screw M18x1.5	2	93055
38	135.02.00-1	Sealing Ring A18x22	2	90002
39	GB5782-86	Locking Screw M8x50	1	93456



No.	Part No.	Description	Qty	Ref. No.
1	135.02.02	Pump Cover Cpl.	1	43291
2	135.02.02-2	Ring	1	22050
3	135.02.02-3	Stop Pin	1	43307
4	135.02.02.01	Stop	1	22796
5	GB879-76	Dowel Pin 10X32	1	90231
6	132.02.06	Check-Non-Return Valve Cpl.	1	43296
7	135.02.06-1	Housing	1	43297
8	135.02.06-2	Valve Piston	1	43299
9	135.02.06-3	Pressure Spring	1	22034
10	132.02.06-4	Screw	1	43298
12	135.02.10	Stop Valve Cpl.	1	41868
13	135.02.10-1	Valve	1	43138
14	135.02.10-2	Pressure Spring	1	43279
15	135.02.10-3	Round Sealing Ring 12X3	1	94316
16	135.02.10-4	Threaded Plug	1	22021
17	135.02.10-5	Pressure Spring	1	98929
18	135.02.10-6	Round Sealing Ring 8X3	1	91894
19	135.02.10-7	Valve Screw	1	43130
20	GB893-76	Circlip 20X1	1	95786
21	GB308-64	Ball, Dia 8.731	1	98511
22	135.02.09	Suction Valve Cpl.	1	41863
23	135.02.09-1	Sleeve	1	41861
24	135.02.09-2	Pressure Spring 7.3X8x0.7	1	22022
25	135.02.09-3	Washer	1	95294
26	135.02.09-4	Threaded Plug	1	41862
27	135.02.09-5	Washer	1	22023
28	135.02.09-6	Adjusting Washer	1	191300

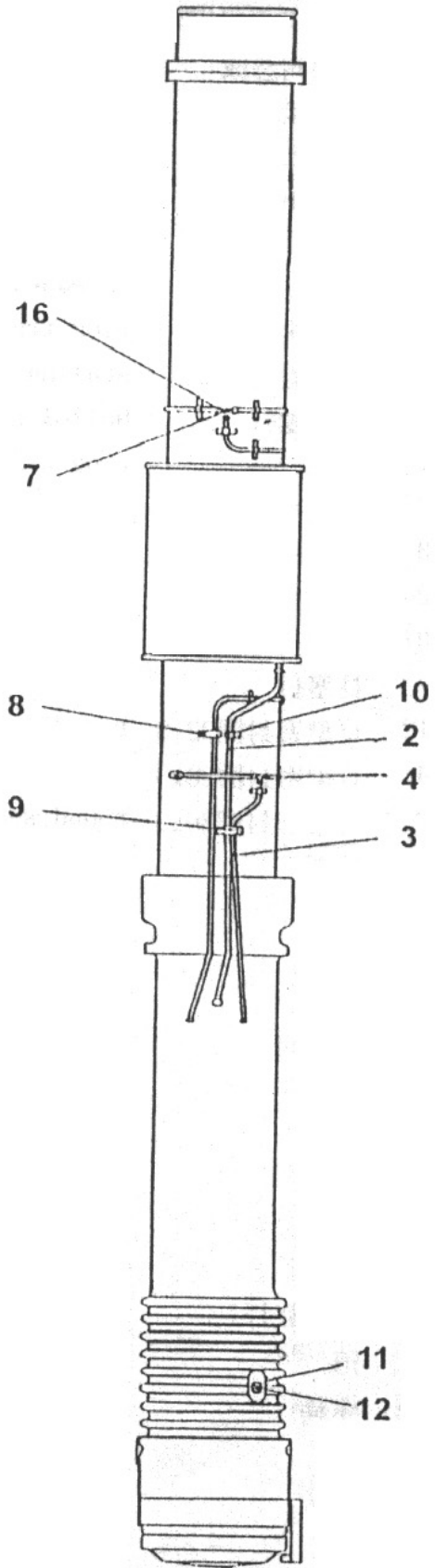
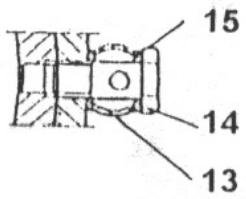
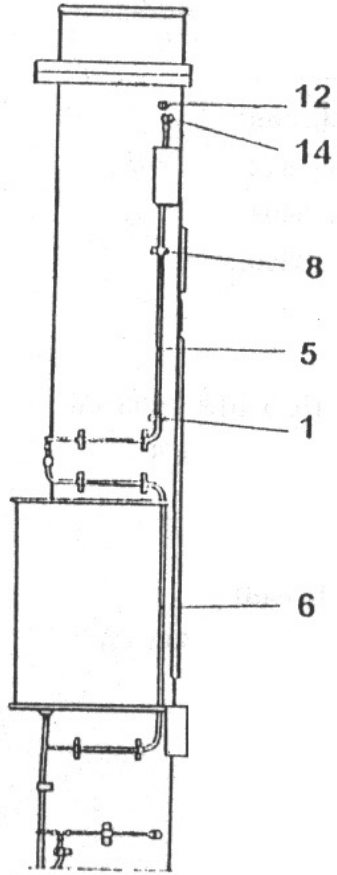


<b>No.</b>	<b>Part No.</b>	<b>Description</b>	<b>Qty</b>	<b>Ref. No.</b>
	141.11.00	Fuel Line/Breather Line Cpl.	1	119052
1	141.11.00-5	Hose, 0.48	1	120903
2	No. 0	Hose Clip	4	94299
3	135.11.01	Hose Piece	1	99019
4	135 11.02	Hose	2	96504
5	131.12.00-8	Clip	1	100268

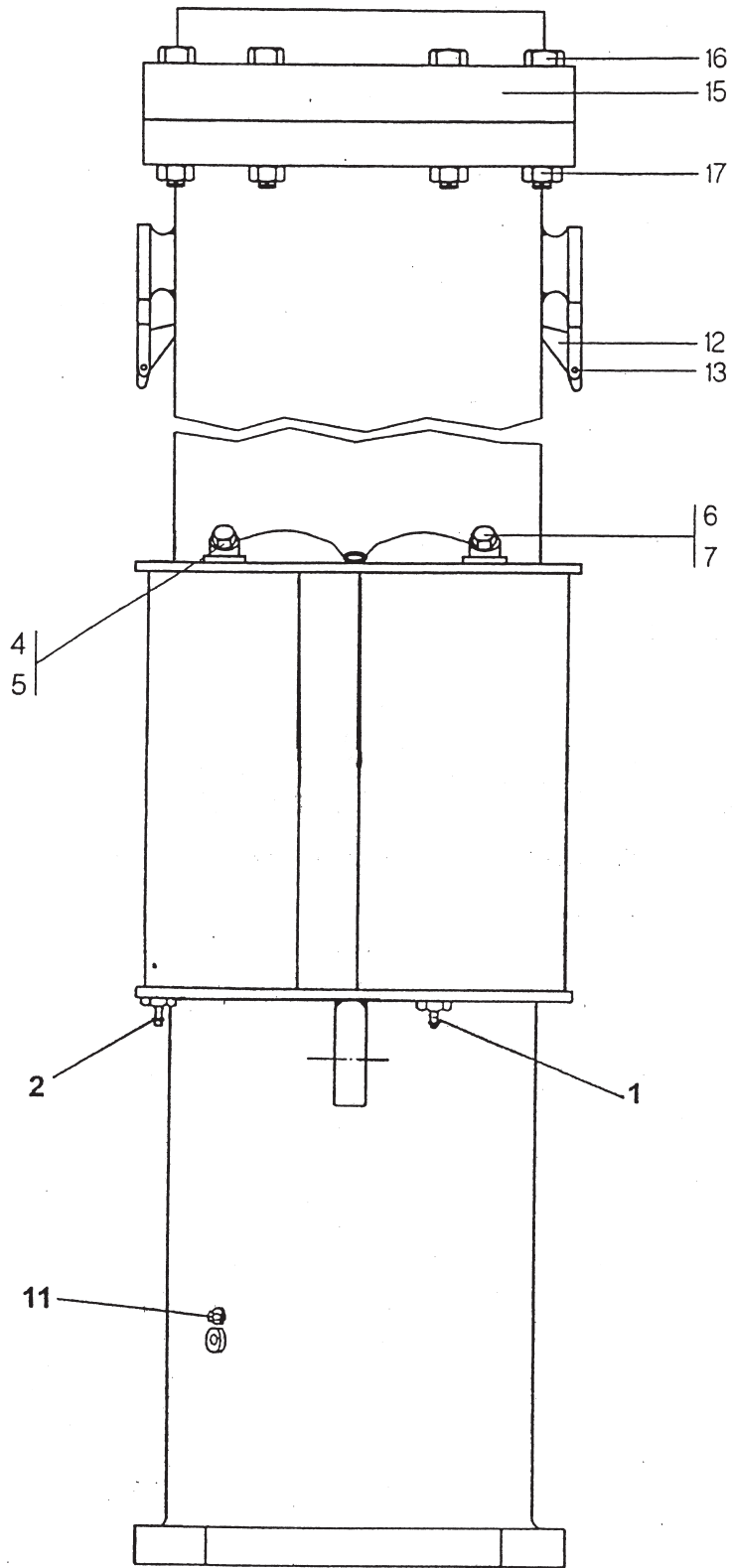




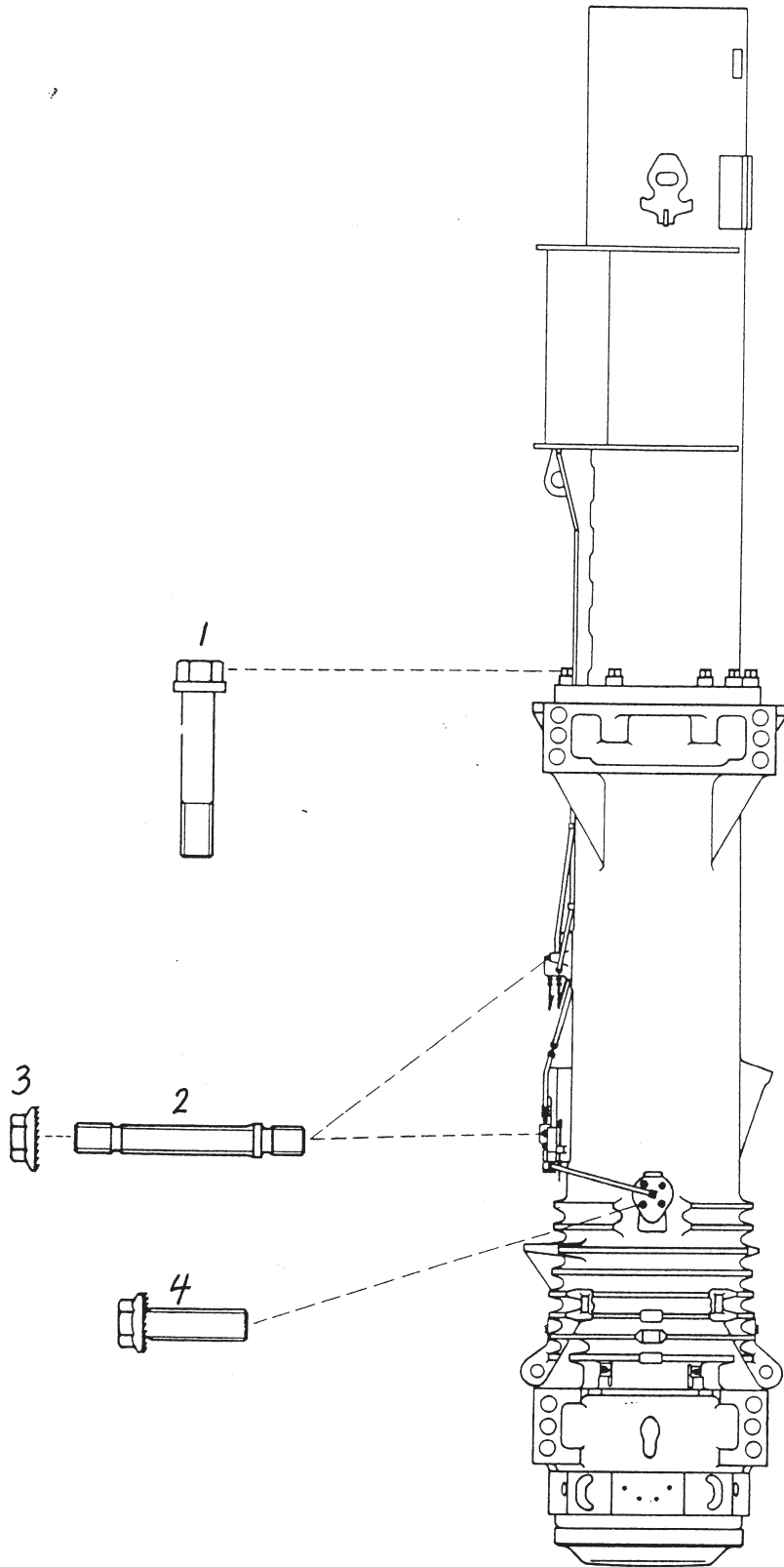
No.	Part No.	Description	Qty	Ref. No.
	135.07.00	Lube Pump Cpl	1	08308
1	135.07.00-7	Pump Body	1	108315
2	135.02.00-25	Dowel Pin 28X80	2	94315
3	135.07.03	Pressure Valve Cpl	3	108317
4	135.07.03-4	Adaptor (Tube To Thread)	3	108319
5	135.07.03-7	Round Sealing Ring 8X2	3	97855
6	GB308-64	Ball, Dia.6	3	90307
7	135.07.03-6	Pressure Spring 5X36x0.8	3	190005
8	135.07.03-5	Threaded Plug	3	104679
9	135.07.03-1	Ring Type Nipple	3	97949
10	135.07.03-3	Sealing Ring	6	91417
11	135.07.03-2	Hollow Screw	3	97948
12	135.07.04-1	Plug Screw	1	108316
13	135.07.03-7	Round Sealing Ring 8X2	3	97855
14	135.07.00-3	Adaptor (Tube To Thread)	1	67290
15	135.02.00-29	Sealing Ring	1	92031
16	135.02.00-31	Protecting Cap	1	93236
17	135.07.01	Cylinder Cpl.	1	67279
18	135.02.00-12	Round Sealing Ring 22X3	1	91296
19	135.07.01-4	Round Sealing Ring 26X3	1	91357
20	135.07.01-3	Round Sealing Ring 30X3	1	92952
21	135.07.00-9	Ring	1	67283
22	135.07.00-10	Pressure Spring	1	97325
23	135.07.00-11	Washer	1	67282
24	GB70-76	Screw M8x35	4	90937
25	135.07.02	Piston Cpl.	1	67284
26	135.07.02-3	Slide Ring	1	97326
27	135.07.00-4	Pressure Spring 7.3X29.4x1.2	1	190479
28	135.07.00-5	Plug Screw	1	108307
29	135.07.00-8	Pressure Spring 10X43x2	1	22089
30	135.07.00-2	Sleeve	1	22090
31	135.07.00-6	Pump Lever	1	22081
32	135.07.00-1	Pin	1	22082
33	135.07.00-12	Plug Screw R1"	1	91976



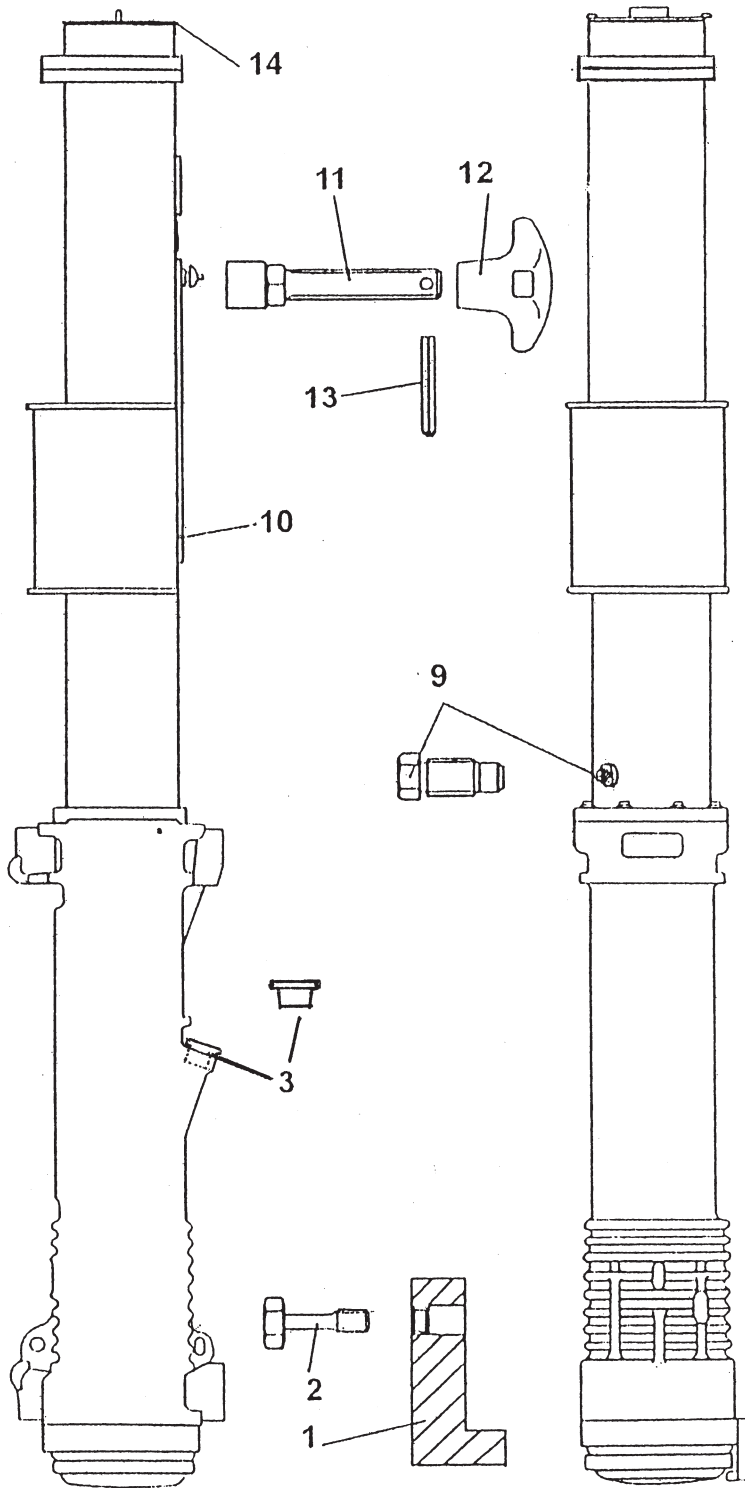
<b>No.</b>	<b>Part No.</b>	<b>Description</b>	<b>Qty</b>	<b>Ref. No.</b>
	131.12.00	Lube Line With Connecting Parts	1	102127
1	135.12.00-1	Clip	13	2932
2	131.12.01	Hose	1	96035
3	131.12.00-3	Hose, 1 M Long	1	102125
4	131.12.00-4	Hose, 0.5 M Long	2	102130
5	131.12.00-5	Hose, 1.5 M Long	3	190563
6	131.12.00-6	Hose, 3.3 M Long	1	102129
7	135.12.00-5	T-Piece	2	94522
8	135.12.00-5	Hose, 0.28M Long	2	14644
8'	GB5782-86	Locking Screw M8x12	29	93412
9	131.12.00-8	Clip	2	100268
10	131.12.00-9	Clip	1	41981
11	135.01.2-2	Reducer	2	22592
12	135.01.02.02A	Grease Nipple M10x1	2	90791
13	135.07.03-1	Ring Type Nipple	4	97949
14	135.07.03-2	Hollow Screw	4	97948
15	135.07.03-3	Sealing	8	91417
16	No. 0	Hose Clip	12	95115



No.	Part No.	Description	Qty	Ref. No.
	141.03.00	Cylinder Upper Part Cpl	1	109093
1	141.03.02	Filter Elbow	2	64403
2	141.03.02-1	Ball Valve With Elbow	2	-
4	135.03.05-1	Plug Screw "Diesel"	1	17186
5	135.03.03-2	Chain Link	1	2253
6	135.03.04-1	Plug Screw "Oil"	1	17188
7	135.03.03-2	Chain Link	1	2253
11	135.01.02.02A	Grease Nipple M10x1	2	90791
12	135.03.00-1	Ratchet	2	17039
13	135.03.00-3	Dowel Pin 13X60	2	90044
15	141.03.00-1	Cylinder Catch Groove Extention Part	1	
16	141.03.00-2	Reduced Screw M24x95, Gb5780-86	5	
17	141.03.00-3	Locking Nut, M24 Gb6184-86	5	
*	135.03.02	Filter Elbow	2	64403
*	PN# 135.03.02 Filter Elbow, not shown, can be used to replace Items 1 and 2.			

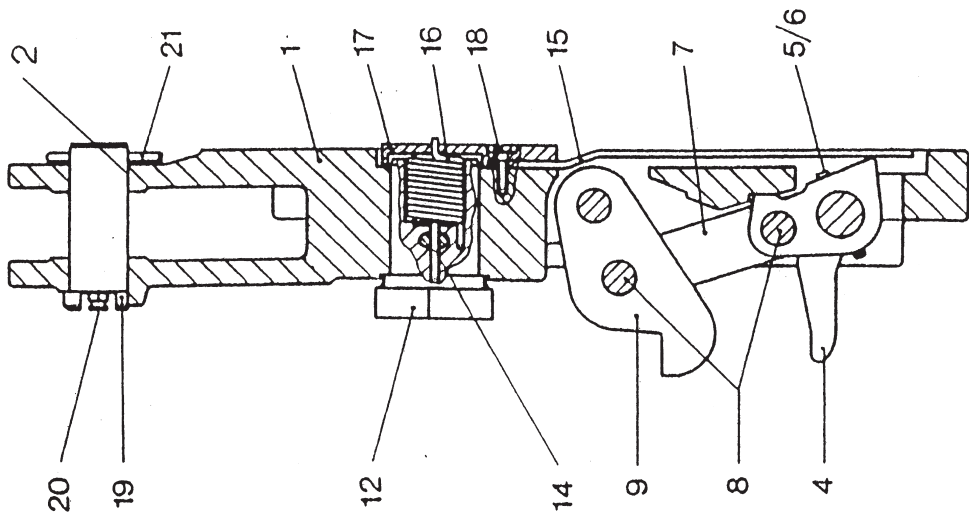
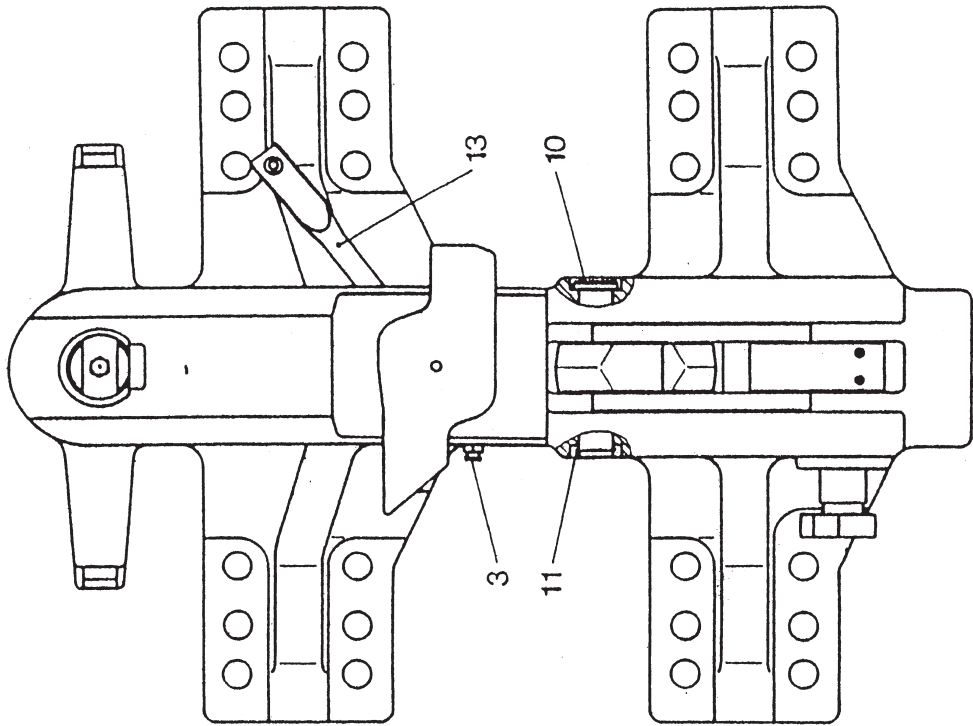


<b>No.</b>	<b>Part No.</b>	<b>Description</b>	<b>Qty</b>	<b>Ref. No.</b>
	141.06.00	Set Connecting Parts Cpl.	1	119051
1	135.06.00-2	Reduced Screw M24 For Upper And Lower Cylinders	14	20174
2	135.06.00-1	Stud Bolt M16 For Fuel Pump, Lube Pump And Lower Cylinder	8	20189
3	135.06.00-5	Locking Nut M16 For Fuel Pump, Lube Pump And Lower Cylinder	8	94722
4	135.06.00-6	Locking Screw M16x45 For Injectors And Lower Cylinder	4	95639





<b>No.</b>	<b>Part No.</b>	<b>Description</b>	<b>Qty</b>	<b>Ref. No.</b>
	141.10.00	Transport Protecting Cpl.	1	119049
1	141.10.01	Impact Block Securing Clamp	1	102144
2	GB5782-86	Hexagon Screw	1	22702
3	141.10.04	Exhaust Cover (Nylon)	2	104963
9	135.10.00-1	Locking Screw M42x3	2	105787
10	131.10.02	Cylinder Slot Cover Cpl.	1	104967
11	131.10.02.02	Tommy Screw	1	64888
12	135.10.02-2	Star Handle	1	96200
13	GB879-79	Dowel Pin 6X60	1	90160
14	141.10.03	Protecting Cap	1	119050



No.	Part No.	Description	Qty	Ref. No.
	131.05.00	Trip Gear Cpl.	1	104694
1	131.05.00-6	Trip Housing	1	104697
2	131.05.00-11	Sleeve	2	-
3	135.01.02.02A	Grease Nipple M10x1	1	90791
4	131.05.03	Cam With Lever	1	104695
5	GB879-86	Dowel Pin 10X80	2	90147
6	GB879-86	Dowel Pin 6X60	1	90160
7	131.05.00-1	Shackle	2	1104
8	131.05.00-2	Joint Bolt	2	1106
9	131.05.00-3	Pawl	1	64192
10	131.05.00-10	Pin	1	64190
11	GB894.1-86	Circlip 30	1	90221
12	131.05.06	Carrier (Drive Pin)	1	108300
13	131.05.00-17	Lever	1	64189
14	GB879-86	Dowel Pin 8X50	1	90380
15	132.05.00-9	Plate Spring	1	39382
16	132.05.00-7	Torsion Spring	1	39381
17	131.05.07	Cover	1	104698
18	135.05.00-14	Locking Screw M10x30	4	93414
19	131.05.01	Pin Cpl.	1	104954
20	135.01.02.02A	Grease Nipple M10x1	1	90791
21	GB91-76	Split Pin 8X80	1	90748
*	131.05.02	Rope Pulley Cpl.	1	

\* not shown

No.	Part No.	Description	Qty	Ref. No.
	141.16.00	Tools And Accessories	1	
1	141.16.01	Piston Ring Fitting Band Cpl.	1	102140
2	135.16.02	Piston Ring Fitting Pliers Cpl.	1	626
3	141.16.03	Assembly Plate	2	
4	135.16.04-1	Assembly Plate	1	22700
5	135.16.04-3	Bolt	2	
6	135.16.04-4	Pin, Sheeve	1	
7	135.16.04-5	Punch Dia 12/16	1	93349/90354
8	135.16.04-6	Punch Dia 4/8	1	90178/93348
9	135.16.04-7	Single-Head Spanner	1	
10	135.16.05	Tool Box	1	90890
11		Rope 35M Long	2	1130
12		Rope 70M Long	1	1129
13	2350-20/36 (DWN 29)	Ratchet Spanner	1	90196
14	Gb825-76	Ring Screw M30	1	91336
15	JB718-65	Double Ended Open Spanner 30X32	1	90655
16	JB718-65	Double Ended Open Spanner 19X22	1	90443
17	JB717-65	Single Ended Open Spanner 46	1	90184
18	JB717-65	Single Ended Open Spanner 27	1	90465
19	JB717-65	Single Ended Open Spanner 17	1	95071
20	JB717-65	Single Ended Open Spanner 55	1	90467
21		Double Ended Ring Spanner 22X24	1	95834
22		Socket Wrench Sw22	1	90197
23		Socket Wrench Sw46	1	90199
24		Angled Screw Driver 5	1	90055
25		Angled Screw Driver 6	1	90862
26		Angled Screw Driver 8	1	90657
27		Angled Screw Driver 10	1	90469
28		Angled Screw Driver 14	1	90079
29		Angled Screw Driver 19	1	90194
30		Pliers A19	1	90785
31		Oil Feeder	1	90670