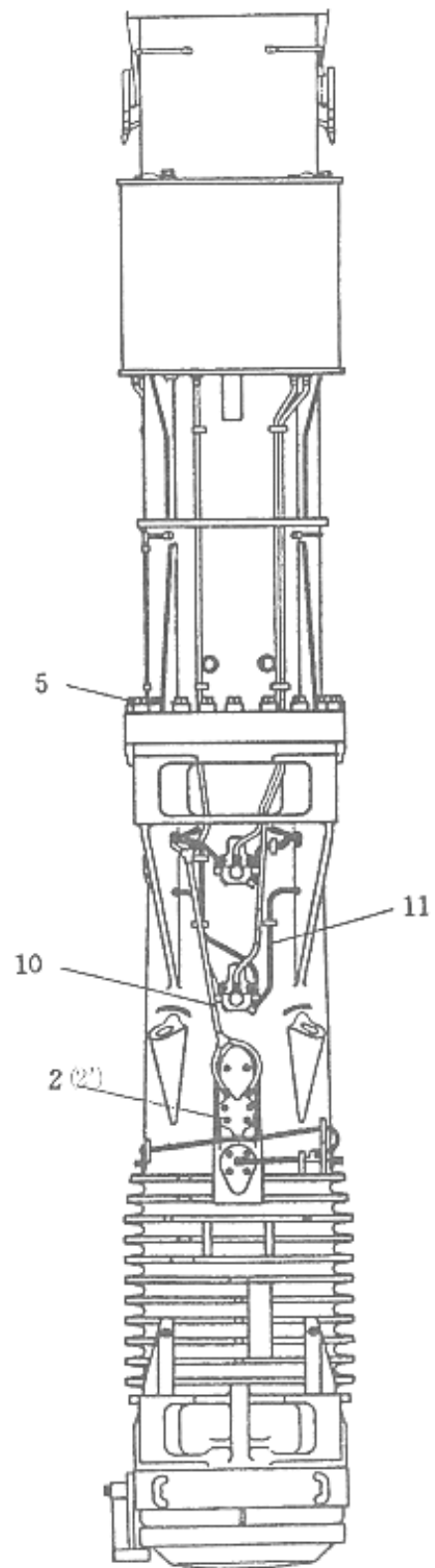
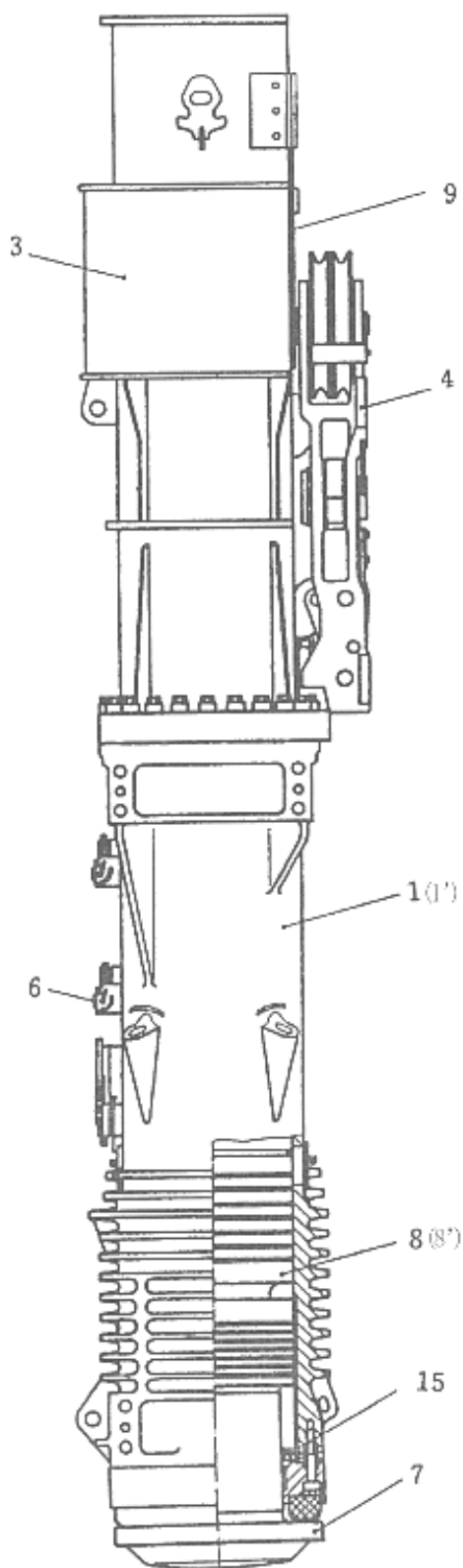


MODEL D160-42 DIESEL PILE HAMMER
D180-42

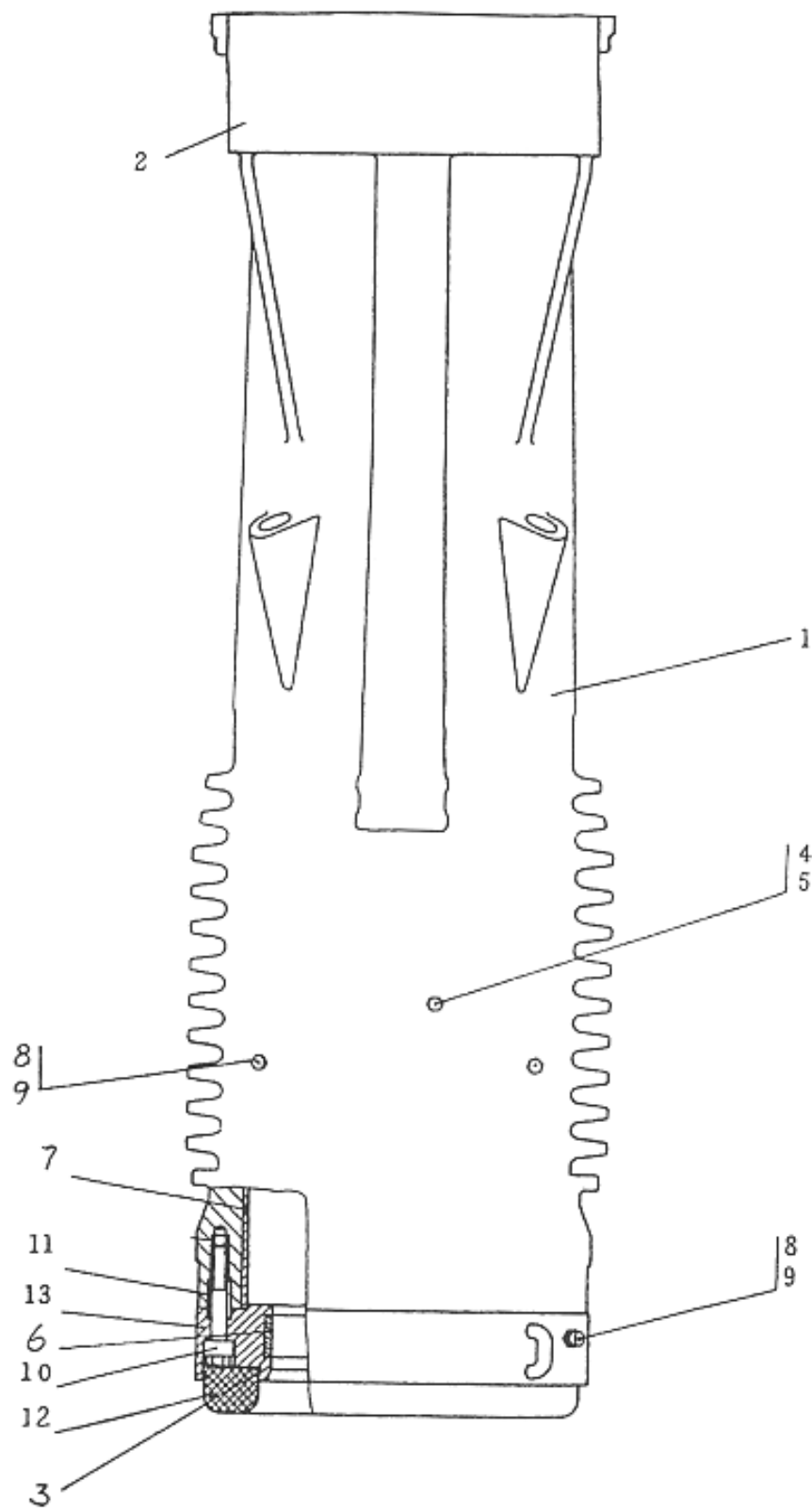


SPARE PARTS BOOK

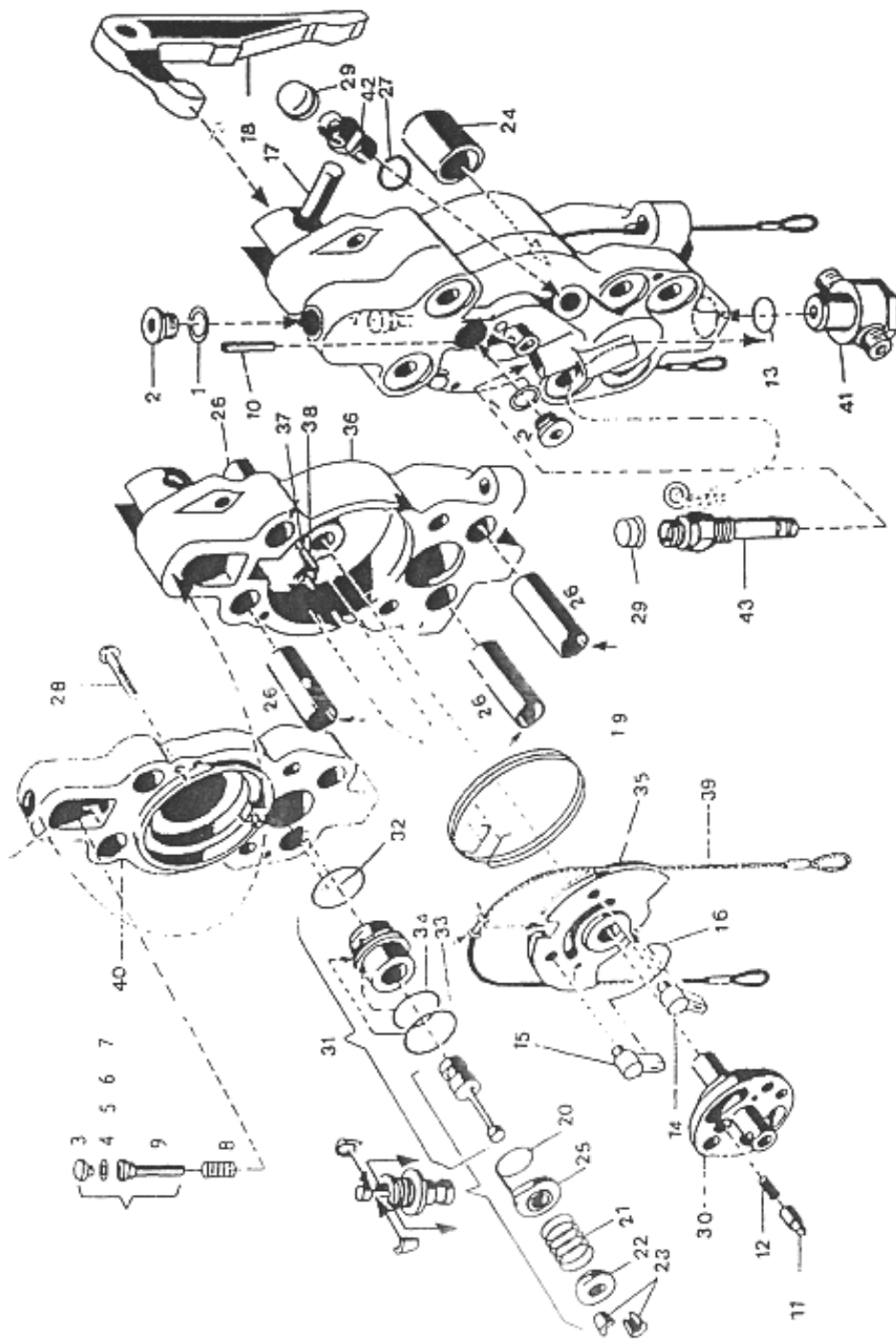
Corporate Office
7032 S. 196th Street
Kent, WA, USA 98032
Tel: 1-800-248-8498
Tel: 1-253-872-0141
Fax: 1-253-872-8710



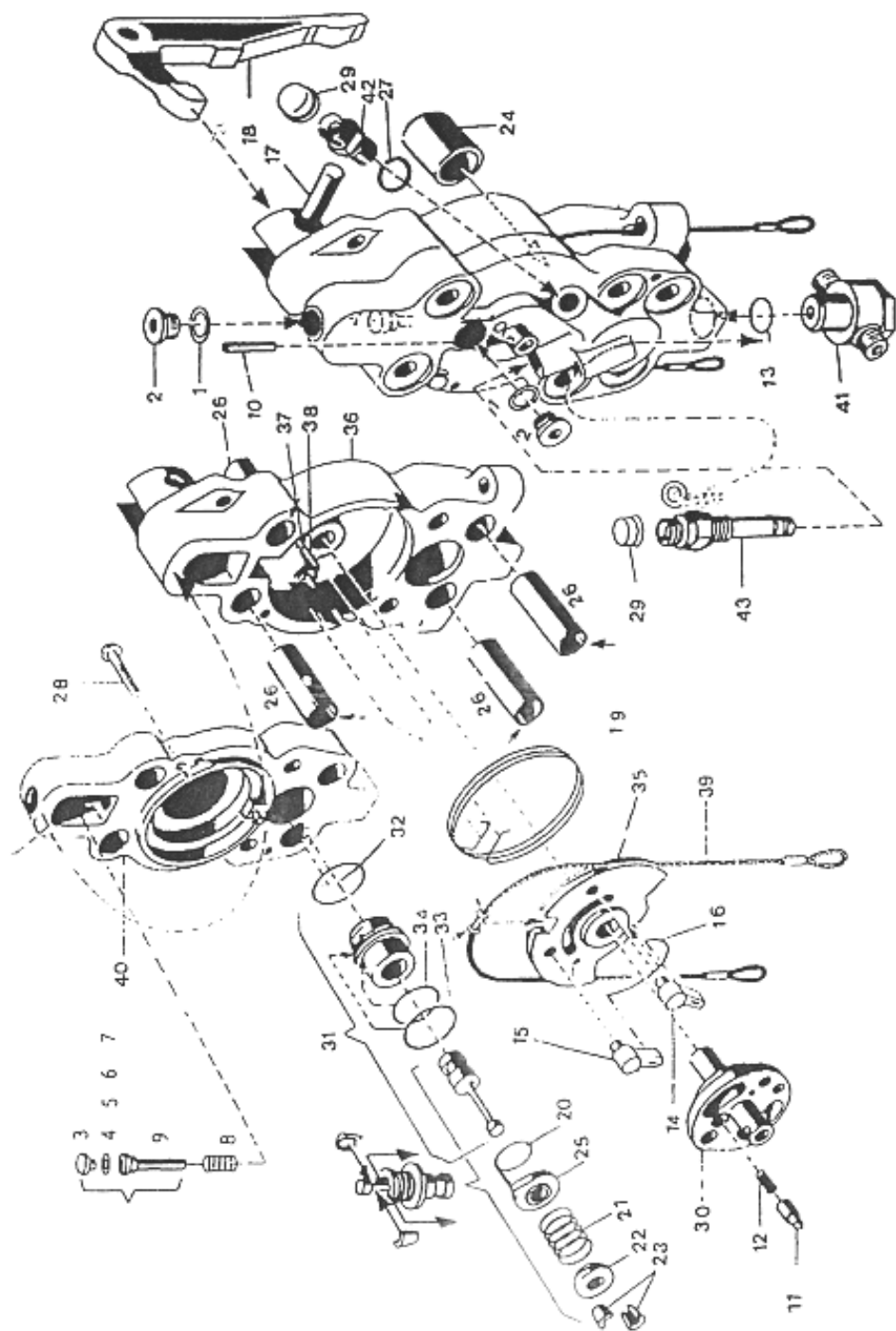
No.	Parts-No.	Description	Qty.	Remark
-	190.00	Diesel Pile Hammer D160	1	
-'	191.00	Diesel Pile Hammer D180	1	
1	190.01	Cylinder Lower Part Complete (Page 5) For D160	1	
1'	191.01	Cylinder Lower Part Complete (Page 5) For D180	1	
2	190.02.00	Variable-Delivery Fuel Pump Complete (Page 7) For D160	1	
2'	191.02.00	Variable-Delivery Fuel Pump Complete (Page 7) For D180	1	
3	190.03	Cylinder Upper Part Complete (Page 15)	1	
4	190.05	Trip Gear Complete (Page 17)	1	
5	190.06	Set Connecting Parts Complete (Page 19)	1	
6	190.07.00	Lube Pump Complete (Page 21)	2	
7	190.08	Impact Block Complete (Page 23)	1	
8	190.09	Striking Weight (Piston) Complete (Page 23) For D160	1	
8'	191.09	Striking Weight (Piston) Complete (Page 23) For D180	1	
9	137.10.00	Transport Protecting Kit Complete(Page 25)	1	
10	190.11	Fuel Line/Breather Line Complete (Page 27)	1	
11	190.12	Lube Line With Connecting Complete (Page 31)	1	
12	190.00-1	Inner Damping Ring	1	
*	190.16.00	Tool Box Complete (Page 33)	1	



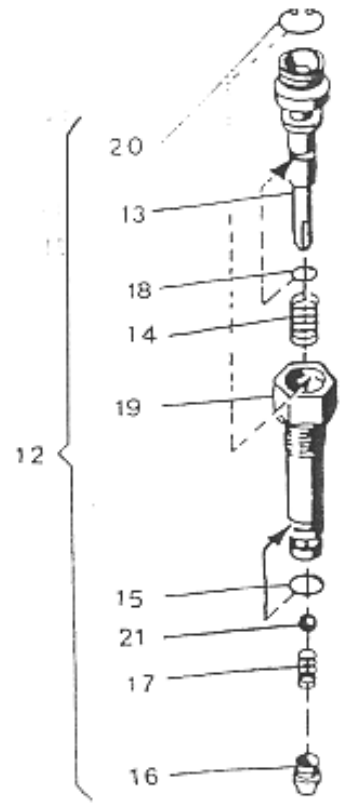
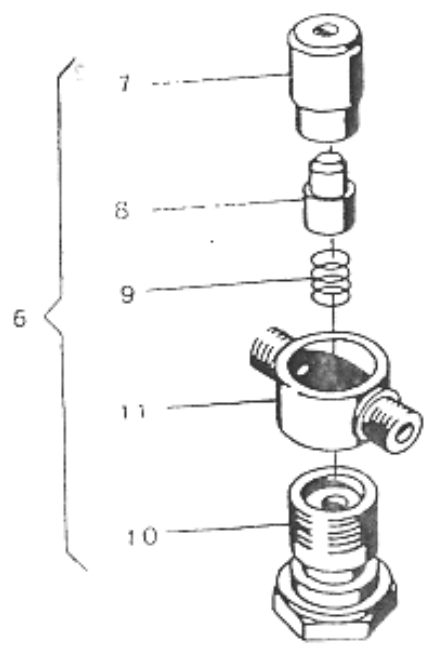
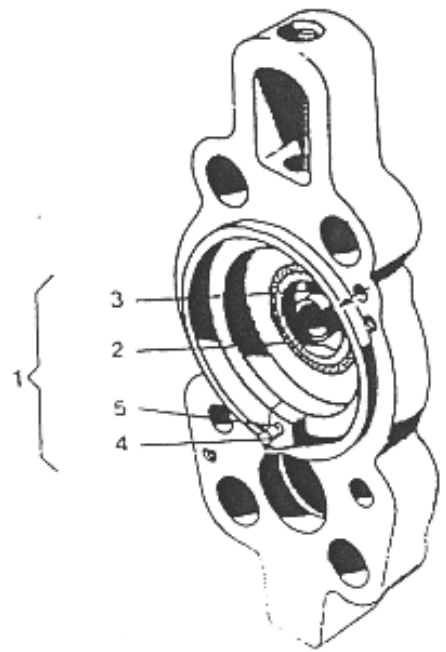
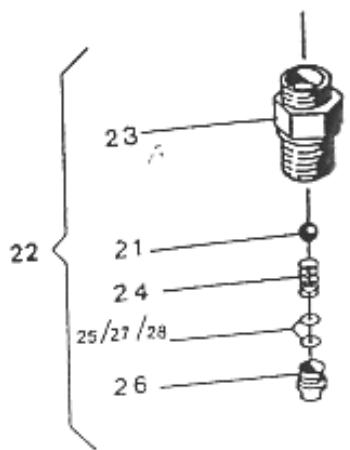
No.	Parts-No.	Description	Qty.	Remark
-	190.01.00	Cylinder Lower Part Complete For D160	1	
-'	191.01.00	Cylinder Lower Part Complete For D180	1	
1	190.01.01	Cylinder Lower Part For D160	1	
1'	191.01.01	Cylinder Lower Part For D180	1	
2	137.01.01-3	Threaded Insert M36×54	48	
3	190.01-2	Sealing Ring	1	
4	JB/T1000-1977	Plug Screw M1 8×1.5	1	
5	135.01.00-2	Sealing Ring A18×22	1	
6	190.01.02-1	Ring 2 Piece	1	
7	190.01.01-2	Cylinder Sleeve	2	
8	135.01.02-2	Reducer	8	
9	135.01.02.02A	Grease Nipple M10×1	8	
10	136.01.00-2	Reduced Screw M36	20	
10'	138.01.00-2	Reduced Screw M36	20	
11	136.01.01-4	Dowel Pin	44	
12	190.01-1	Rubber Ring 2 Piece	1	
13	190.01.02	Cylinder End Ring 2 Piece Complete	1	
14'	191.06.00-2	Reduced Screw M30	2	
15'	191.01.03	Thick Ring	1	



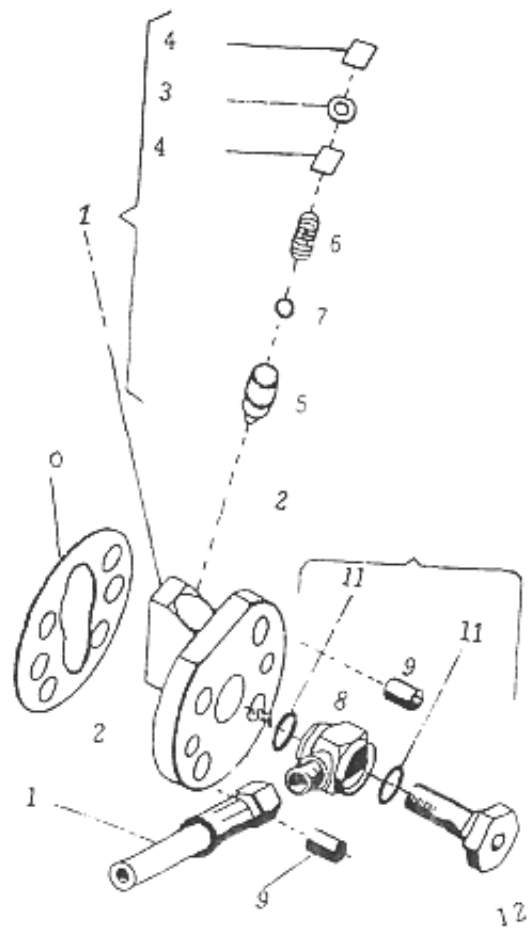
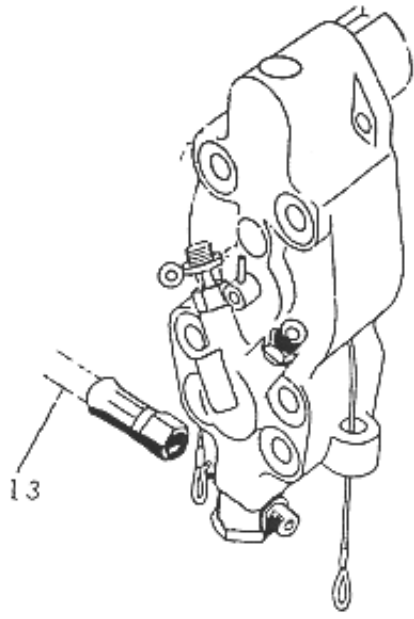
No.	Parts-No.	Description	Qty.	Remark
-	190.02.00	Variable-Delivery Fuel Pump Complete For D160	1	
-'	191.02.00	Variable-Delivery Fuel Pump Complete For D180	1	
1	135.02.00-1	Sealing Ring A18×22	2	
2	JB/T1001-77	Plug Screw M18	2	
3	135.02.00-3	Push Cap	1	
4	135.02.00-4	Adjusting Washer 8.2×19.8×0.3	1	
5	135.02.00-5	Adjusting Washer 8.2×19.8×0.4	1	
6	135.02.00-6	Adjusting Washer 8.2×19.8×0.5	1	
7	135.02.00-7	Adjusting Washer 8.2×19.8×0.6	1	
8	135.02.00-8	Pressure Spring 14.5×34×1	1	
9	135.02.00-9	Push Rod	1	
10	GB/T879-1986	Dowel Pin 6×40	1	
11	135.02.00-10	Screen Pin	1	
12	135.02.00-11	Pressure Spring 5.5×20×1.2	1	
13	135.02.00-12	Round Sealing Ring 22×3	1	
14	135.02.00-13	Cam	1	
15	135.02.00-14	Cam	1	
16	135.02.00-15	Spring	1	
17	135.02.00-16	Pin	1	
18	180.02.00-17A	Pump Lever	1	
19	135.02.00-18	Swivel Spring	1	
20	2-137	Round Sealing Ring	1	
21	135.02.00-20	Pressure Spring	1	
22	180.02.00-21	Spring Retaining Collar	1	
23	180.02.00-22	Conical Ring 2 Piece	1	
24	180.02.00-23	Guide Sleeve	1	
25	180.02.00-24	Holder Ring	1	
26	135.02.00-25	Dowel Pin 28×80	4	
27	135.02.00-29	Sealing Ring A20×24	1	
28	GB/T5782-1986	Locking Screw M8×50	1	
29	135.02.00-31	Protecting Cap	2	
30	135.02.01	Switch Shaft	1	



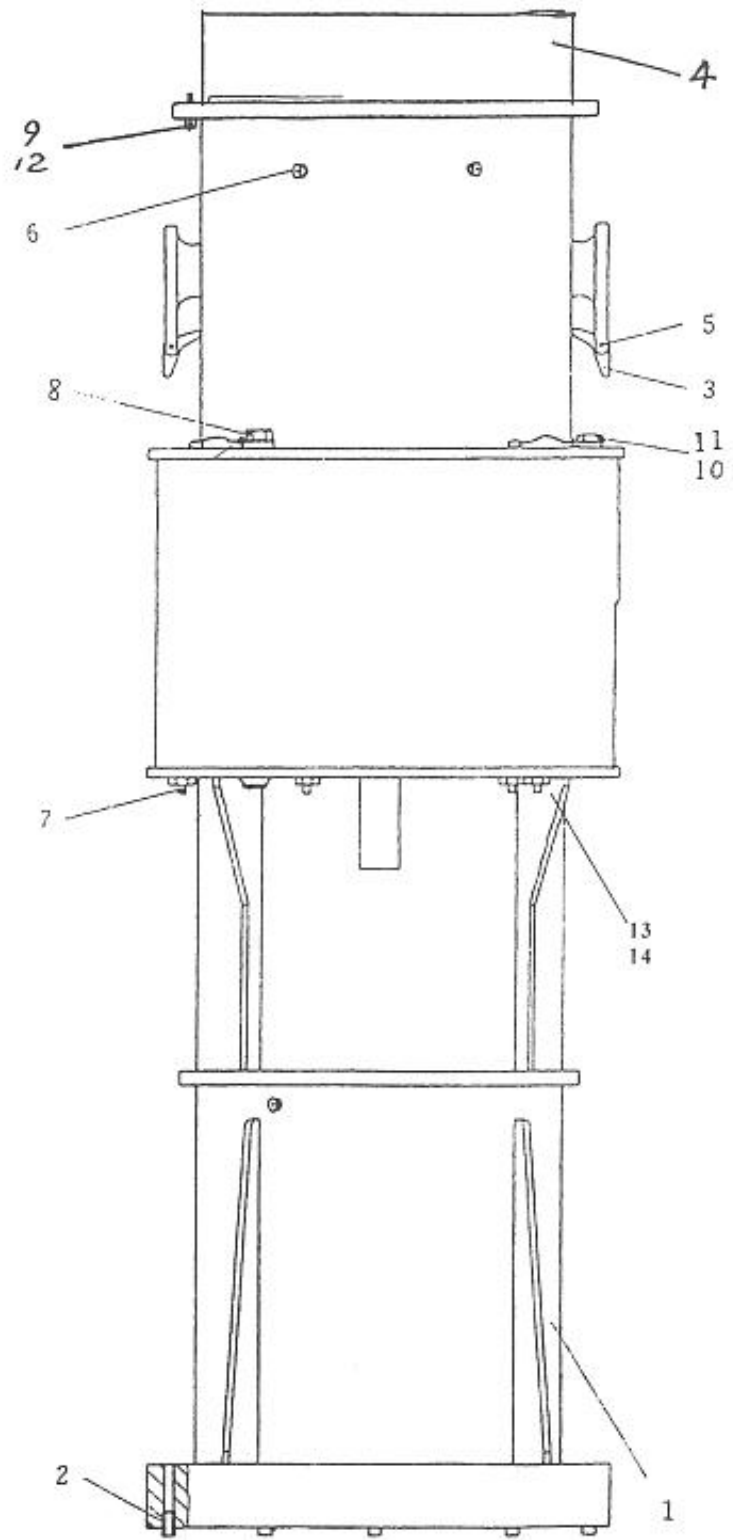
No.	Parts-No.	Description	Qty.	Remark
31	190.02.01	Pump Element Complete For D160	1	
31'	191.02.01	Pump Element Complete For D180	1	
32	2-229	Round Sealing Ring 59.92×3.53	1	
33	2-143	Round Sealing Ring 61.60×2.62	1	
34	2-146	Round Sealing Ring 66.34×2.62	1	
35	135.02.04	Rope Disc Complete	1	
36	135.02.05	Pump Body Complete	1	
37	GB/T879-1986	Dowel Pin 6×28	1	
38	GB/T879-1986	Dowel Pin 5×40	1	
39	180.02.11	Regulation Rope	2	
40	180.02.02A	Pump Cover Complete (Page 9)	1	
41	190.02.06	Check-Non-Return Valve Complete (Page 9)	1	
42	135.02.09	Suction Valve Complete (Page 9)	1	
43	180.02.10	Stop Valve Complete (Page 9)	1	



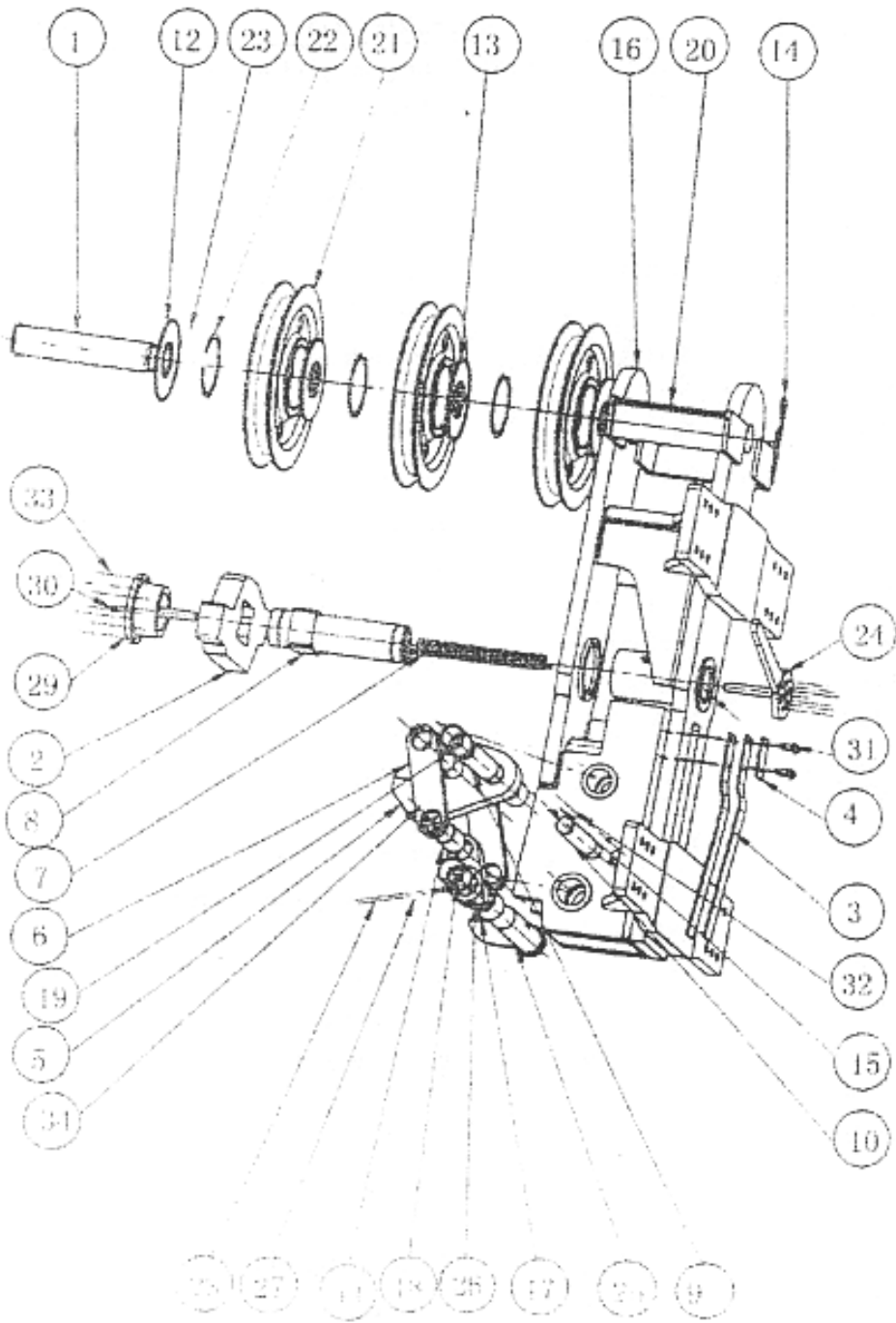
No.	Parts-No.	Description	Qty.	Remark
1	180.02.02	Pump Cover Complete	1	
2	135.02.02-2	Ring	1	
3	135.02.02-3	Stop Pin	1	
4	135.02.02.01	Stop	1	
5	GB/T879-1986	Dowel Pin 10×32	1	
6	190.02.06	Check-Non-Return Valve Complete	1	
7	135.02.06-1	Housing	1	
8	135.02.06-2	Valve Piston	1	
9	135.02.06-3	Pressure Spring	1	
10	135.02.06-4	Screw	1	
11	135.02.06-4	Ring Type Nipple	1	
12	180.02.10	Stop Valve Complete	1	
13	180.02.10-1	Valve	1	
14	180.02.10-2	Pressure Spring	1	
15	2-114	Round Sealing Ring 15.54×2.62	1	
16	180.02.10-4	Threaded Plug	1	
17	180.02.10-5	Pressure Spring	1	
18	P12.5	Round Sealing Ring 12.3×2.4	1	
19	180.02.10-7	Valve Screw	1	
20	GB/T893-1986	Circlip 22×1	1	
21	GB/T308-1989	Ball Φ10.319	2	
22	135.02.09	Suction Valve Complete	1	
23	135.02.09-1	Sleeve	1	
24	135.02.09-2	Pressure Spring 7.3×8×0.7	1	
25	135.02.09-3	Washer	1	
26	135.02.09-4	Threaded Plug	1	
27	135.02.09-5	Washer	1	
28	135.02.09-6	Adjusting Washer	1	



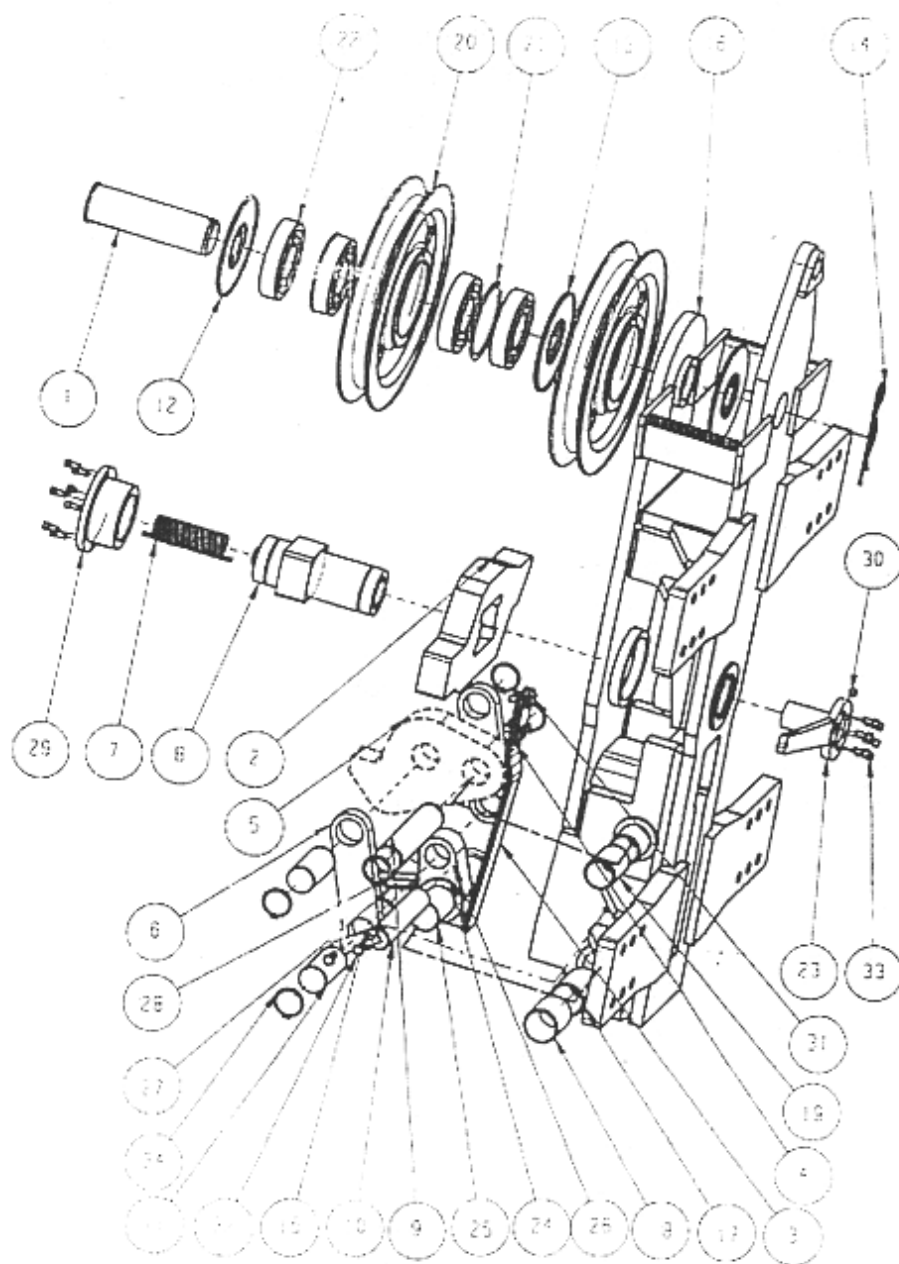
No.	Parts-No.	Description	Qty.	Remark
1	190.11.04	Injection Valve Complete For D160	4	
1'	191.11.04	Injection Valve Complete For D180	4	
2	190.11.04-1	Injection Valve Body For D160	4	
2'	191.11.04-1	Injection Valve Body For D180	4	
3	135.02.07-2A	Spring Washer	4	
4	135.02.07-3	Locking Plate	8	
5	135.02.07-4	Valve Piston	4	
6	135.02.07-5	Pressure Spring	4	
7	135.02.07-7	Adjusting Washer	8	
8	135.02.00-26	Threaded Pipe Joint	4	
9	135.02.00-27	Dowel Pin 21×28	8	
10	135.02.00-28	Sealing	4	
11	135.02.00-32	Round Sealing Ring 17×1.5	8	
12	135.02.00-33	Hollow Screw	4	
13	190.11.02	High Pressure Hose Line (1200mm)	1	
14	190.11.01	High Pressure Hose Line (550mm)	4	
15	137.11.01	High Pressure Hose Line (920mm)	1	



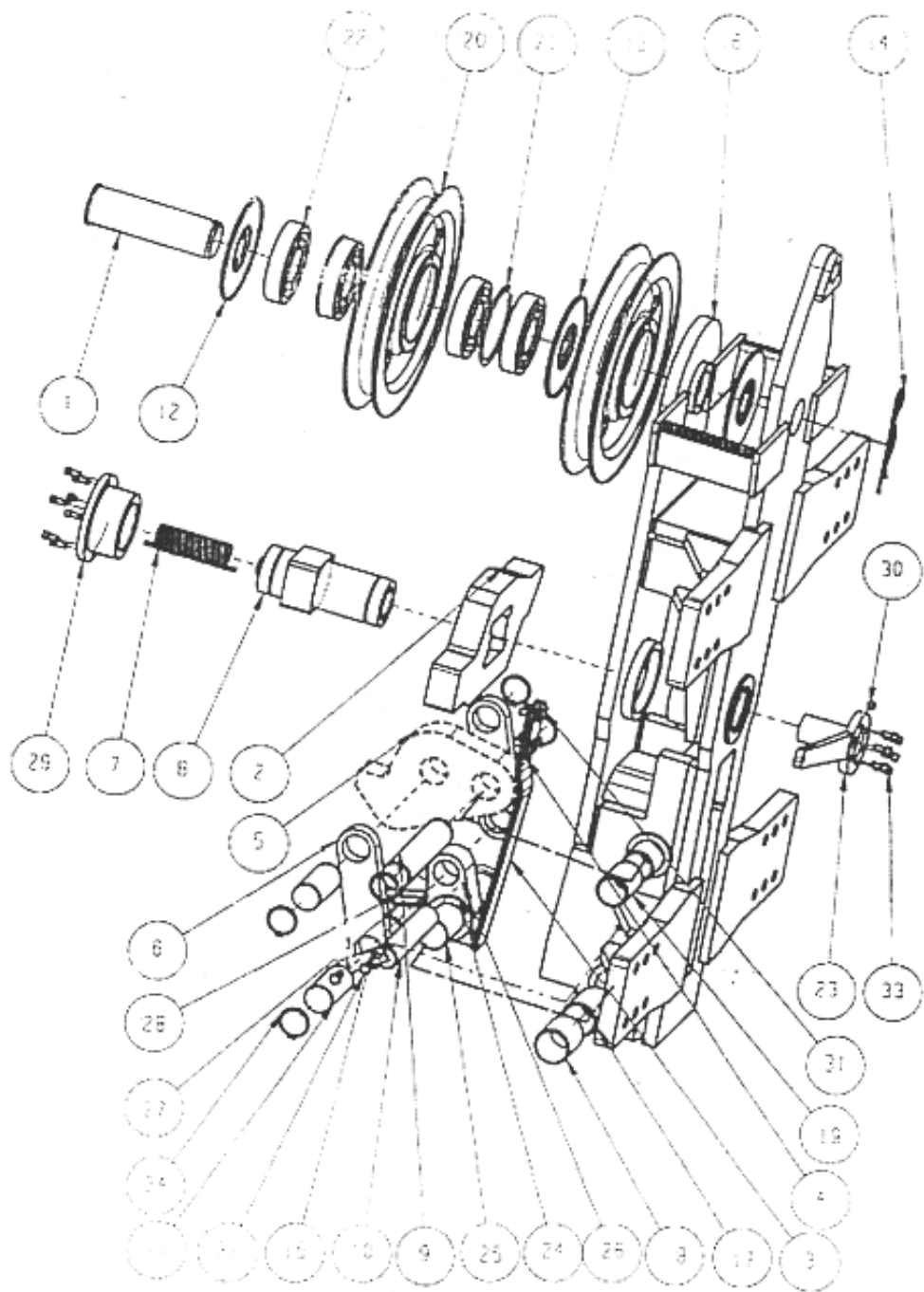
No.	Parts-No.	Description	Qty.	Remark
-	190.03	Cylinder Upper Part Complete	1	
1	190.03.01	Cylinder Upper Port	1	
2	136.01.01-4	Dowel Pin	8	
3	190.03-1	Ratchet	2	
4	190.03.07	Extend Cylinder	1	
5	190.03-3	Dowel Pin 13×80	2	
6	135.01.02.02A	Grease Nipple M10×L	10	
7	180.03.02-1	Filter Elbow	2	
8	135.03.06	Plug Screw “Diesel” Complete	1	
9	GB/T5782-1986	Screw M24×130	12	
10	135.03.04-1	Plug Screw “Oil” Complete	1	
11	135.03.05	Plug Screw “Diesel” Complete	1	
12	GB/T6185-1986	Nut M30	12	
13	135.03.02	Filter Elbow	2	
14	JB/T987-1977	Washer 36	4	



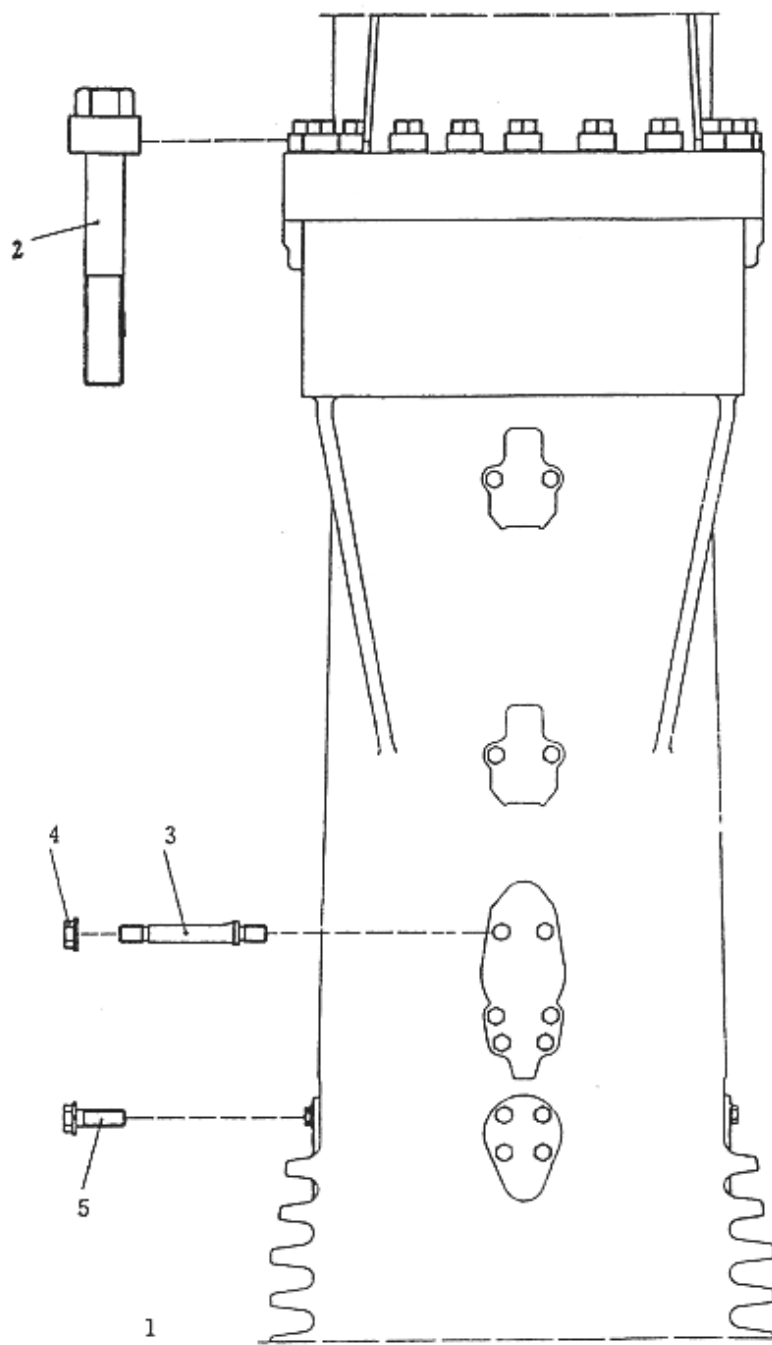
No.	Parts-No.	Description	Qty.	Remark
-	190.05	Trip Gear Complete (3 Sheaves)	1	
1	190.05 -1	Sheave Pin	1	
2	190.05-2	Driving Pin	1	
3	190.05-3	Leaf Spring	2	
4	190.05-4	Plate	1	
5	190.05-5	Pawl	1	
6	190.05-6	Shackle	2	
7	190.05-7	Torsion Spring	1	
8	190.05-8	Shaft	1	
9	190.05-9	Shaft	1	
10	190.05-10	Joint Bolt	1	
11	190.05-11	Shaft	2	
12	190.05-12	Circlip	2	
13	190.05-13	Circlip	2	
14	190.05-14	Spring Bolt	2	
15	190.05-15	Baffle 60	2	
16	190.05.01	Guide Body	1	
17	190.05.01-12	Sleeve	1	
18	190.05.01-13	Sleeve	1	
19	190.05.01-15	Sleeve	2	
	190.05.02	Rope Guard	2	
	190.05.03	Rope Pulley Complete	3	
20	190.05.03-1	Sheave	3	
21	190.05.03-2	Partition Loop	3	
22	GB276-1994	Bearing 60320	6	
23	190.05.04	Lever	1	
24	190.05.05	Pawl Lever	1	
25	190.05.05.01	Lever Pin	1	
26	190.05.05-1	Detent	1	
27	GB/T879-1986	Dowel Pin 10×100	2	
28	GB/T879-1986	Dowel Pin 16×100	2	
29	190.05.06	Flange Complete	1	
30	135.01.02.02A	Grease Nipple M10×L	2	
31	135.06.00-6	Locking Screw M16×45	4	
32	GB5781-86	Locking Screw M16×35	2	
33	GB/T70-1985	Cylinder M12×30	12	
34	GB/T894.1-1986	Circlip 75	6	



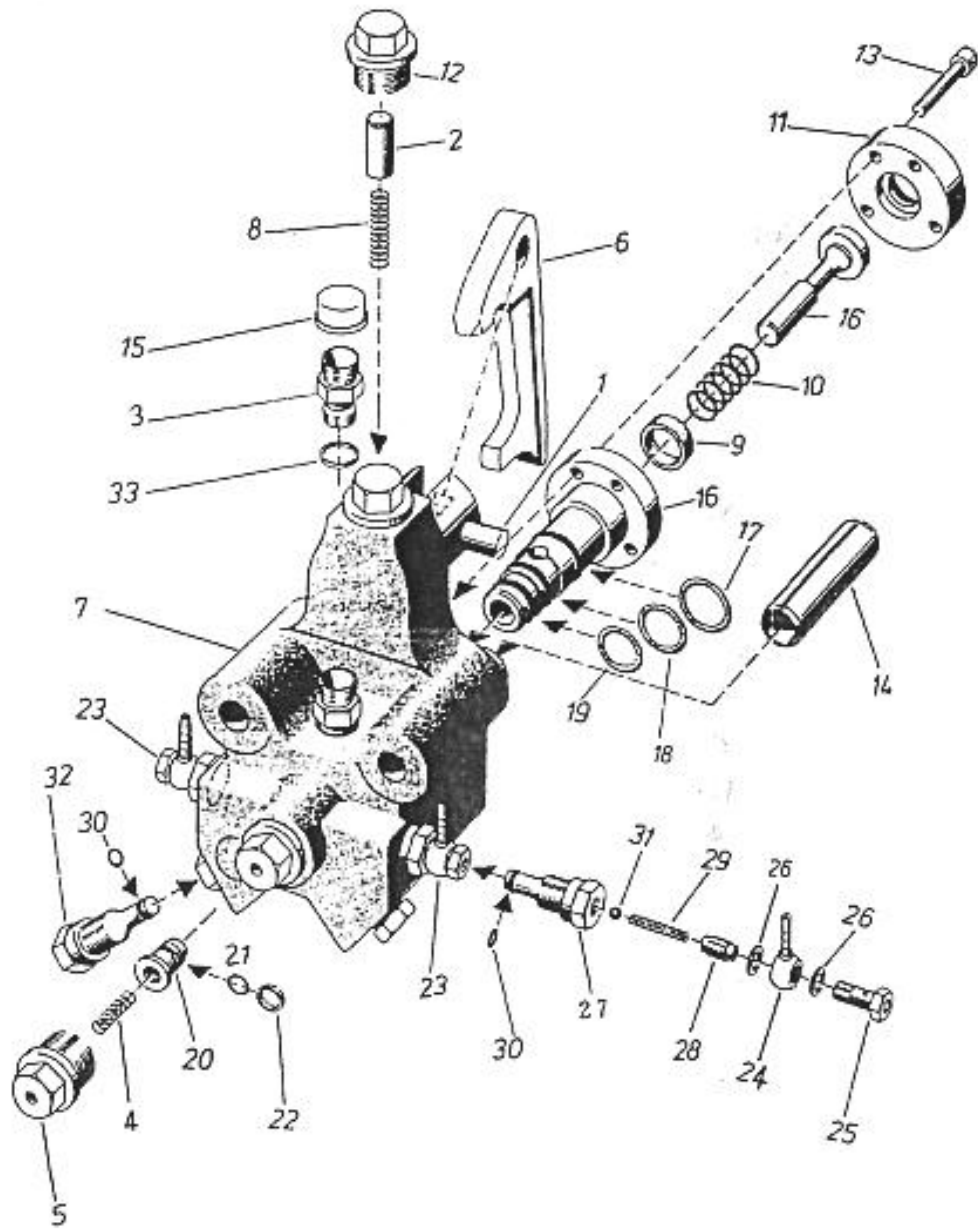
No.	Parts-No.	Description	Qty.	Remark
-	190.05R	Trip Gear Complete (2 Sheaves)	1	
1	190.05 -1R	Sheave Pin	1	
2	190.05-2	Driving Pin	1	
3	190.05-3	Leaf Spring	2	
4	190.05-4	Plate	1	
5	190.05-5	Pawl	1	
6	190.05-6	Shackle	2	
7	190.05-7	Torsion Spring	1	
8	190.05-8R	Shaft	1	
9	190.05-9	Shaft	1	
10	190.05-10	Joint Bolt	1	
11	190.05-11	Shaft	1	
12	190.05-12R	Circlip	2	
13	190.05-13	Circlip	2	
14	190.05-14	Spring Bolt	1	
15	190.05-15	Baffle 60	1	
16	190.05.01R	Guide Body	1	
17	190.05.01-12	Sleeve	1	
18	190.05.01-13	Sleeve	1	
19	190.05.01-15	Sleeve	2	
	190.05.03	Rope Pulley Complete	2	
20	190.05.03-1	Sheave	2	
21	190.05.03-2	Partition Loop	2	
22	GB276-1994	Bearing 60320	4	
23	190.05.04R	Lever	1	
24	190.05.05	Pawl Lever	1	
25	190.05.05.01	Lever Pin	1	
26	190.05.05-1	Detent	1	
27	GB/T879-1986	Dowel Pin 10×100	2	
28	GB/T879-1986	Dowel Pin 16×100	2	
29	190.05.06R	Flange Complete	1	
30	135.01.02.02A	Grease Nipple M10×L	2	
31	135.06.00-6	Locking Screw M16×35	2	
32	GB5781-86	Locking Screw M16×45	4	
33	GB/T70-1985	Cylinder M12×30	12	
34	GB/T894.1-1986	Circlip 75	6	



No.	Parts-No.	Description	Qty.	Remark
-	190.05RZ	Trip Gear Complete (2 Sheaves)	1	
1	190.05 -1RZ	Sheave Pin	1	
2	190.05-2	Driving Pin	1	
3	190.05-3	Leaf Spring	2	
4	190.05-4	Plate	1	
5	190.05-5	Pawl	1	
6	190.05-6	Shackle	2	
7	190.05-7	Torsion Spring	1	
8	190.05-8R	Shaft	1	
9	190.05-9	Shaft	1	
10	190.05-10	Joint Bolt	1	
11	190.05-11	Shaft	1	
12	190.05-12RZ	Circlip	2	
13	190.05-13 RZ	Circlip	2	
14	190.05-14 RZ	Spring Bolt	1	
15	190.05-15	Baffle 60	1	
16	190.05.01RZ	Guide Body	1	
17	190.05.01-12	Sleeve	1	
18	190.05.01-13	Sleeve	1	
19	190.05.01-15	Sleeve	1	
	190.05.03RZ	Rope Pulley Complete	2	
20	190.05.03-1RZ	Sheave	2	
21	190.05.03-2RZ	Partition Loop	2	
22	GB276-1994	Bearing 60320	4	
23	190.05.04R	Lever	1	
24	190.05.05	Pawl Lever	1	
25	190.05.05.01	Lever Pin	1	
26	190.05.05-1	Detent	1	
27	GB/T879-1986	Dowel Pin 10×100	2	
28	GB/T879-1986	Dowel Pin 16×100	2	
29	190.05.06R	Flange Complete	1	
30	135.01.02.02A	Grease Nipple M10×L	2	
31	135.06.00-6	Locking Screw M16×35	2	
32	GB5781-86	Locking Screw M16×45	4	
33	GB/T70-1985	Cylinder M12×30	12	
34	GB/T894.1-1986	Circlip 75	6	

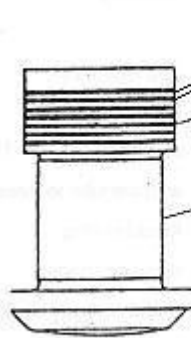
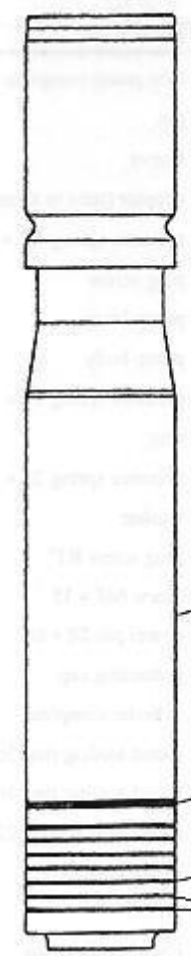


No.	Parts-No.	Description	Qty.	Remark
1	190.06	set connecting parts complete	1	
2	136.01.00-2	screw M36	18	
3	135.06.00-1	stud bolt M16	10	
4	135.06.00-5	locking nut M16	10	
5	135.06.00-6	locking screw M16×45	18	



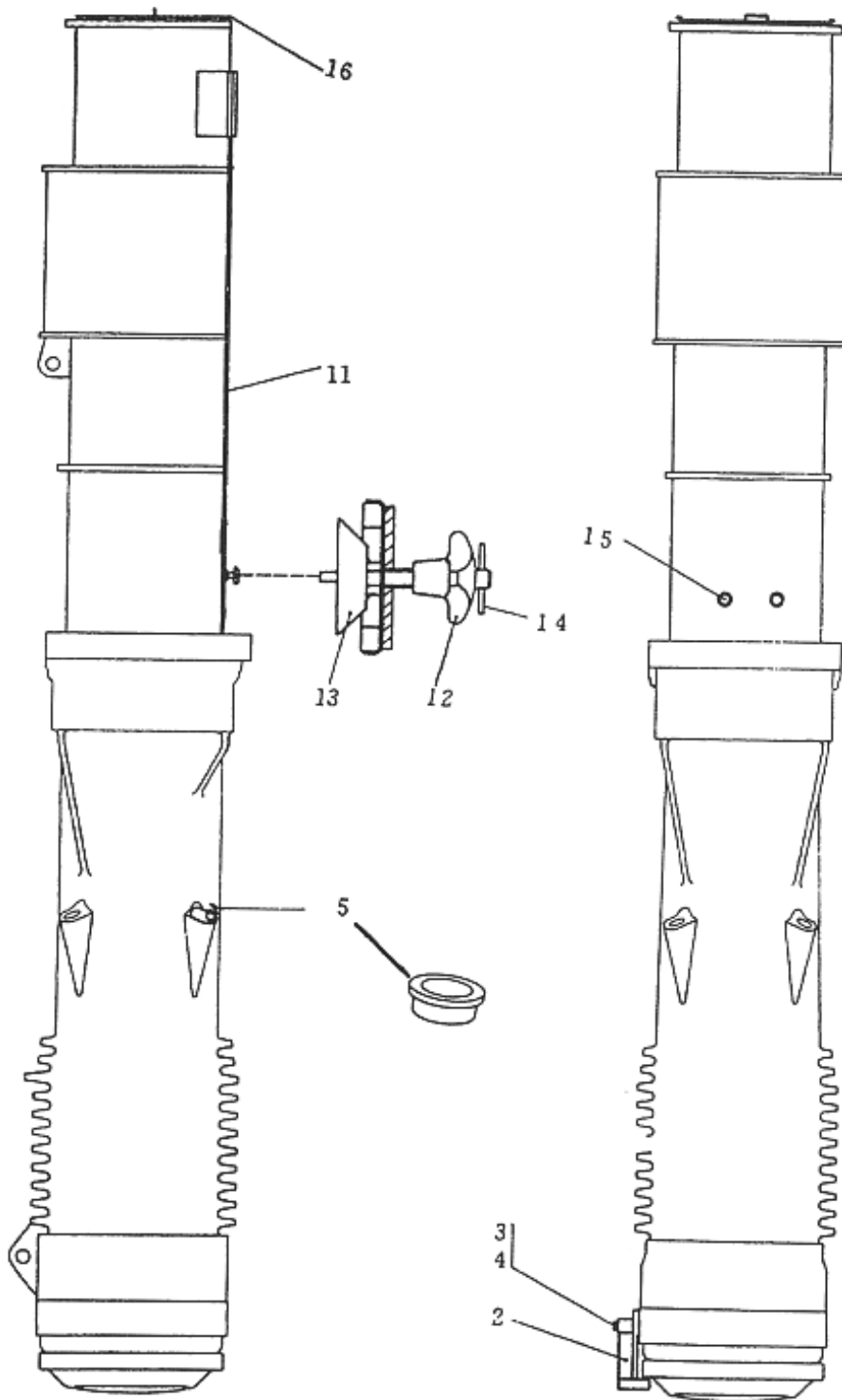
No.	Parts-No.	Description	Qty.	Remark
-	190.07.00	Lube Pump Complete	2	
1	135.07.00-1	Pin	2	
2	135.07.00-2	Sleeve	2	
3	135.07.00-3	Adaptor (Tube To Thread)	2	
4	135.07.00-4	Pressure Spring 7.3×29.4×1.2	2	
5	190.07.00-5	Plug Screw	2	
6	135.07.00-6	Pump Lever	2	
7	180.07.00-7	Pump Body	2	
8	135.07.00-8	Pressure Spring 10×43×2	2	
9	135.07.00-9	Ring	2	
10	135.07.00-10	Pressure Spring 22×52×2.8	2	
11	135.07.00-11	Washer	2	
12	135.07.00-12	Plug Screw R1”	2	
13	GB/T70-1985	Screw M8×35	8	
14	135.02.00-25	Dowel Pin 28×80	4	
15	135.02.00-31	Protecting Cap	2	
16	135.07.01	Cylinder Complete	2	
17	135.07.01-3	Round Sealing Ring 30×3	2	
18	135.07.01-4	Round Sealing Ring 30×3	2	
19	135.02.00-12	Round Sealing Ring 22×2	2	
	135.07.02	Piston Complete	2	
20	135.07.02-1	Piston	2	
21	135.07.02-2	Round Sealing Ring	2	
22	135.07.02-3	Slide Ring	2	
23	135.07.03	Pressure Valve Complete	7	
24	135.07.03-1	Ring Type Nipple	7	
25	135.07.03-2	Hollow Screw	7	
26	135.07.03-3	Sealing Ring A12×15.5	14	
27	135.07.03-4	Adaptor (Tube To Thread)	7	
28	135.07.03-5	Threaded Plug	7	
29	135.07.03-6	Pressure Spring	7	
30	135.07.03-7	Round Sealing Ring 8×2	8	
31	GB/T308-1989	Ball Φ6	6	
32	135.07.04-1	Plug Screw Complete	1	
33	135.02.00-29	Sealing Ring A20×24	1	

№ п/п	№	№	№	№	№
1	1	1	1	1	1
2	2	2	2	2	2
3	3	3	3	3	3
4	4	4	4	4	4
5	5	5	5	5	5
6	6	6	6	6	6
7	7	7	7	7	7
8	8	8	8	8	8
9	9	9	9	9	9
10	10	10	10	10	10
11	11	11	11	11	11
12	12	12	12	12	12
13	13	13	13	13	13
14	14	14	14	14	14
15	15	15	15	15	15
16	16	16	16	16	16
17	17	17	17	17	17
18	18	18	18	18	18
19	19	19	19	19	19
20	20	20	20	20	20
21	21	21	21	21	21
22	22	22	22	22	22
23	23	23	23	23	23
24	24	24	24	24	24
25	25	25	25	25	25
26	26	26	26	26	26
27	27	27	27	27	27
28	28	28	28	28	28
29	29	29	29	29	29
30	30	30	30	30	30
31	31	31	31	31	31
32	32	32	32	32	32
33	33	33	33	33	33
34	34	34	34	34	34
35	35	35	35	35	35
36	36	36	36	36	36
37	37	37	37	37	37
38	38	38	38	38	38
39	39	39	39	39	39
40	40	40	40	40	40
41	41	41	41	41	41
42	42	42	42	42	42
43	43	43	43	43	43
44	44	44	44	44	44
45	45	45	45	45	45
46	46	46	46	46	46
47	47	47	47	47	47
48	48	48	48	48	48
49	49	49	49	49	49
50	50	50	50	50	50
51	51	51	51	51	51
52	52	52	52	52	52
53	53	53	53	53	53
54	54	54	54	54	54
55	55	55	55	55	55
56	56	56	56	56	56
57	57	57	57	57	57
58	58	58	58	58	58
59	59	59	59	59	59
60	60	60	60	60	60
61	61	61	61	61	61
62	62	62	62	62	62
63	63	63	63	63	63
64	64	64	64	64	64
65	65	65	65	65	65
66	66	66	66	66	66
67	67	67	67	67	67
68	68	68	68	68	68
69	69	69	69	69	69
70	70	70	70	70	70
71	71	71	71	71	71
72	72	72	72	72	72
73	73	73	73	73	73
74	74	74	74	74	74
75	75	75	75	75	75
76	76	76	76	76	76
77	77	77	77	77	77
78	78	78	78	78	78
79	79	79	79	79	79
80	80	80	80	80	80
81	81	81	81	81	81
82	82	82	82	82	82
83	83	83	83	83	83
84	84	84	84	84	84
85	85	85	85	85	85
86	86	86	86	86	86
87	87	87	87	87	87
88	88	88	88	88	88
89	89	89	89	89	89
90	90	90	90	90	90
91	91	91	91	91	91
92	92	92	92	92	92
93	93	93	93	93	93
94	94	94	94	94	94
95	95	95	95	95	95
96	96	96	96	96	96
97	97	97	97	97	97
98	98	98	98	98	98
99	99	99	99	99	99
100	100	100	100	100	100

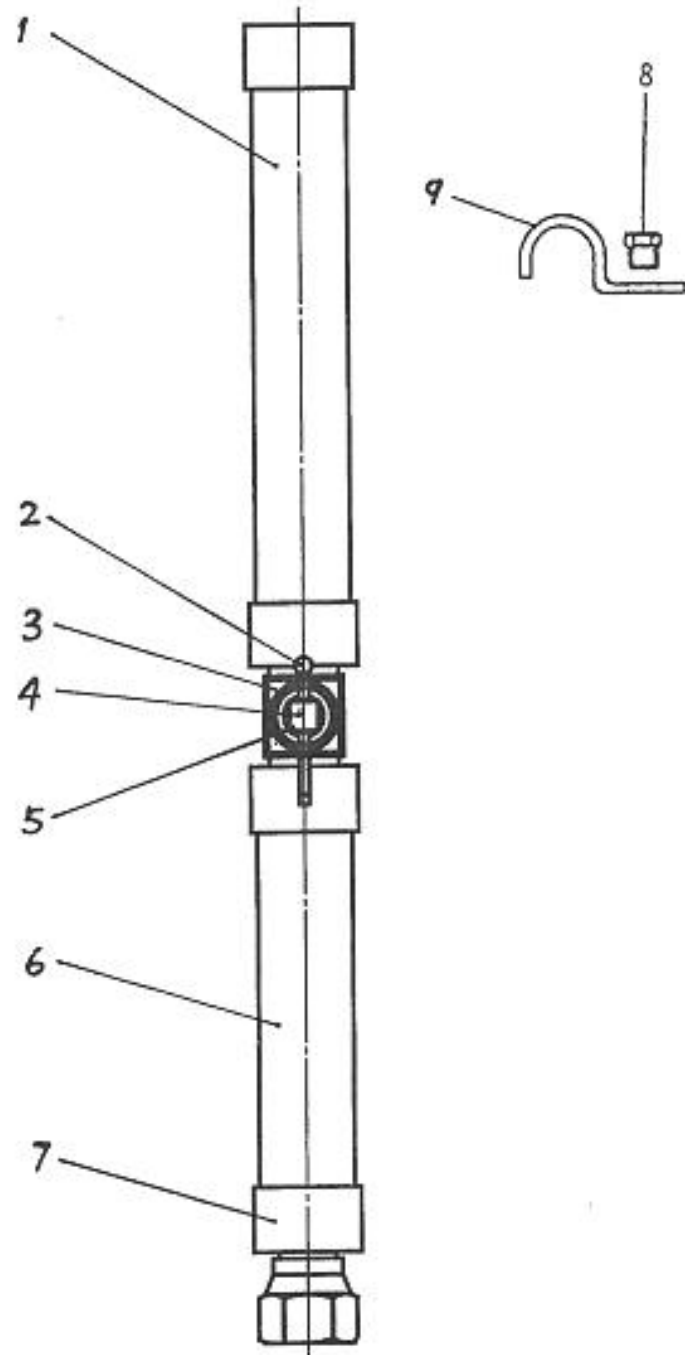


- 6
- 7
- 5
- 3
- 4
- 4
- 3
- 2
- 1

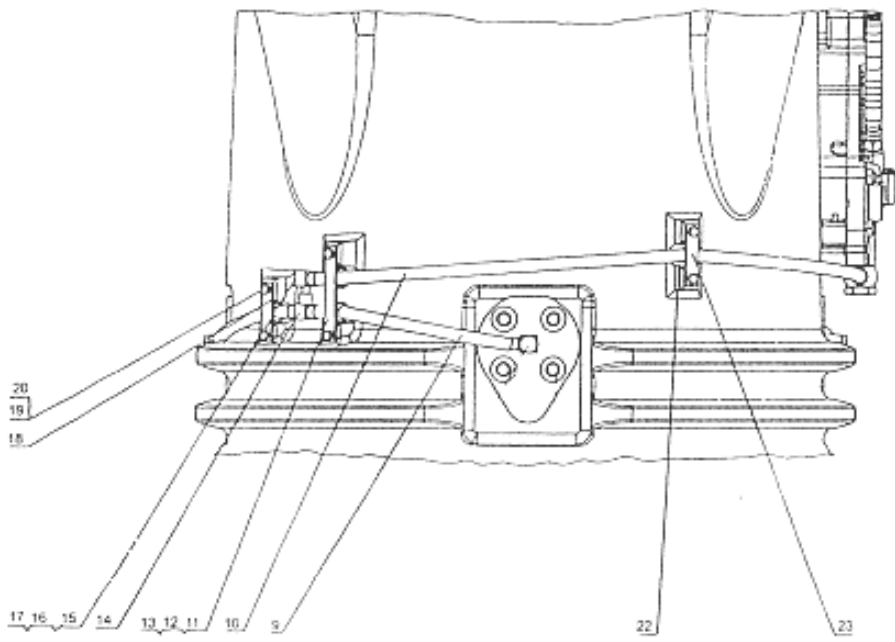
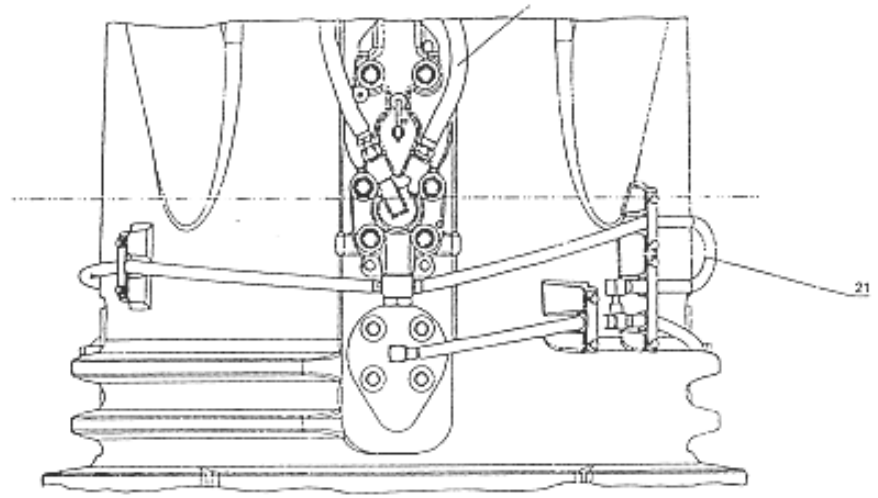
No.	Parts-No.	Description	Qty.	Remark
1	190.08	Impact Block Complete	1	
2	190.08-1	Impact Block	1	
3	190.08-2	Piston Ring	10	
4	190.08-3	Piston Ring	4	
5	190.09	Striking Weight (Piston) Complete For D160	1	
5'	191.09	Striking Weight (Piston) Complete For D180	1	
6	190.09-1	Striking Weight (Piston) For D160	1	
6'	191.09-1	Striking Weight (Piston) For D180	1	
7	190.09-2	Catch Piston Ring	1	



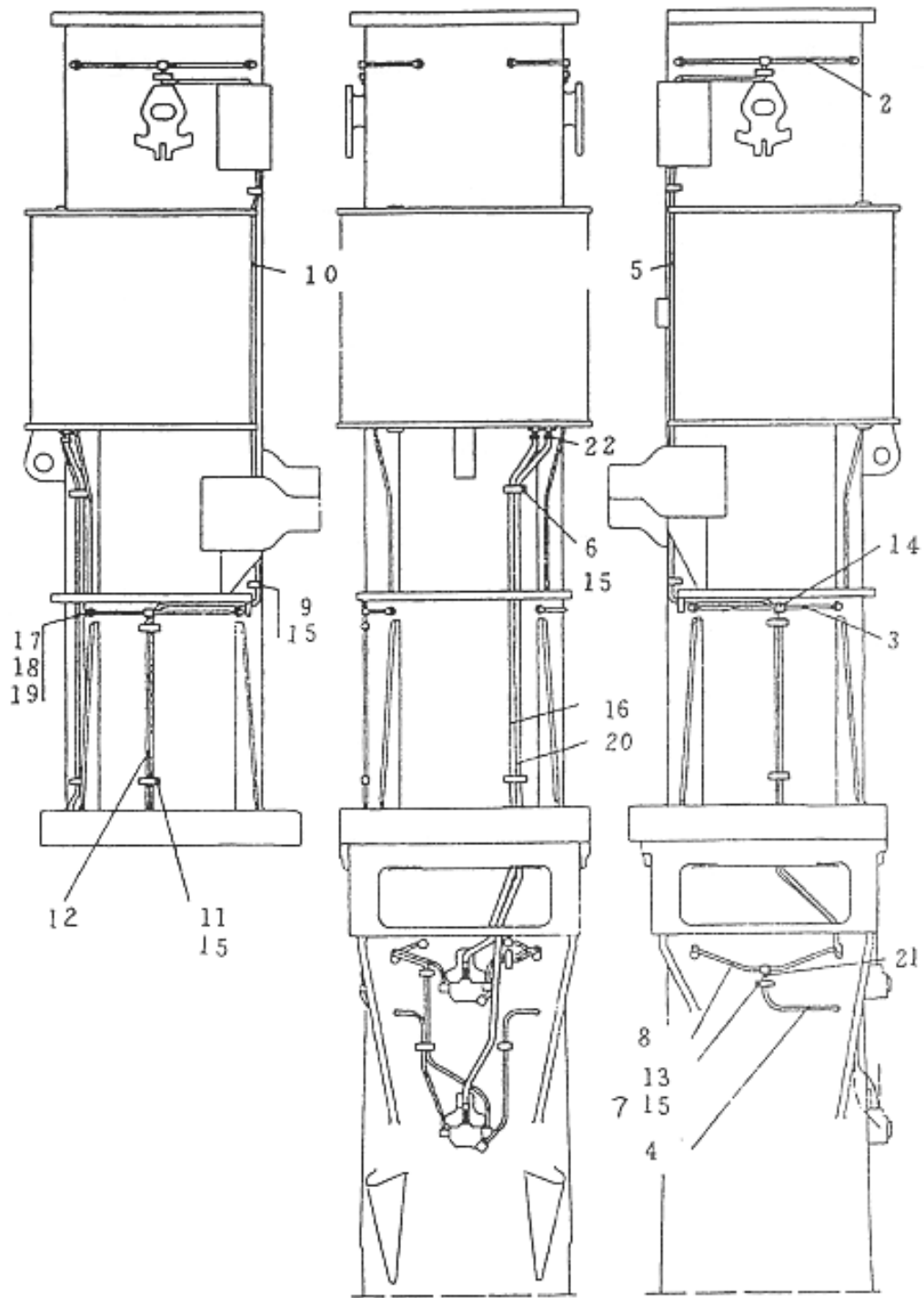
No.	Parts-No.	Description	Qty.	Remark
1	190.10	Transport Protecting Complete	1	
2	190.10.1.1	Securing Clamp	2	
3	135.06.00-4	Dowel Pin 40×75	2	
4	135.06.00-2	Reduced Screw M24	2	
5	190.10-1	Exhaust Cover Complete	4	
5'	191.10-1	Exhaust Cover Complete	4	
11	190.10.02	Cylinder Slot Cover Complete	1	
12	135.10.02-2	Star Handle	1	
13	137.10.02.02	Tommy Screw	1	
14	GB/T879-1986	Dowel Pin 6×60	1	
15	190.10.01-2	Locking Screw M46×3	2	
16	190.10.3A	Protecting Cap Complete	1	



No.	Parts-No.	Description	Qty.	Remark
-	190.11.03	Fuel Line/Breather Line Complete	1	
1	190.11.03-1	Hose (5100mm Long)	2	
2	GB91-86	Pin 3.2×36	2	
	180.11.03.02A	Switch Valve	2	
3	180.11.03.02-1A	Valve Body	2	
4	180.11.03.02-2A	Piston	2	
5	2-106	Round Sealing Ring 15.6×1.78	2	
6	20111-22-12	Hose (300mm Long)	2	
7	No.1	Hose Clip 7/8" -1 1/4"	8	
8	GB/T5782-1986	Locking Screw M8×12	16	
9	180.11.03-4	Clip	4	



No.	Parts-No.	Description	Qty.	Remark
-	190.11.01	Fuel Line/Breather Line Complete	1	
9	190.11.02	High Pressure Hose (1200mm)	4	
10	137.11.02	High Pressure Hose (930mm)	1	
11	137.11.00-3	Sleeve	6	
12	137.11.00-4	Clip	2	
13	137.11.00-5	Plate	2	
14	137.11.00-6	T-Piece	2	
15	137.11.00-7	Hose Piece	2	
16	137.11.00-9	Locking Nut	2	
17	JB1897-1977	Clamping Sleeve	2	
18	137.11.00-8	Clip	2	
19	GB/T5782-1986	Locking Screw M8×12	16	
20	GB/T93-1987	Washer 8	16	
21	137.11.02	High Pressure Hose (930mm)	1	
22	137.11.00-1	Clip	2	
23	137.11.00-2	Plate	41	



No.	Parts-No.	Description	Qty.	Remark
-	190.12	Lube Line With Connecting Complete	1	
2	190.12-1	Hose (450mm Long)	6	
3	190.12-2	Hose (280mm Long)	6	
4	190.12-3	Hose (930mm Long)	4	
5	190.12-4	Hose (6700mm Long)	2	
6	137.12.00-5	Hose Clip	2	
7	GB/T93-1987	Ring 8	34	
8	137.12.00-6	Hose (730mm Long)	4	
9	137.12.00-8	Hose Clip	6	
10	137.12.00-7	Hose (2400mm Long)	4	
11	137.12.00-8	Hose Clip	6	
12	137.12.00-9	Hose (1870mm Long)	1	
13	137.12.00-10	Hose Clip	6	
14	135.12.00-7	T-Piece	7	
15	GB/T5782-1986	Locking Screw M8×12	34	
16	136.12.00-1	Hose (4000mm Long)	1	
17	135.07.03-1	Ring Type Nipple	14	
18	135.07.03-2	Hollow Screw	14	
19	135.07.03-3	Sealing Ring A12×15.5	28	
20	137.12.01	Hose (4500mm Long)	1	
21	No.000	Hose Clip 7/16"-5/8"	42	
22	No.0	Hose Clip 5/8"-1"	2	

No.	Parts-No.	Description	Qty.	Remark
-	190.16	Tools And Accessories	1	
1	190.16.1	Piston Ring Fitting Band Cpl.	1	
2	190.16.2	Piston Ring Fitting Pliers Cpl.	1	
3	135.16.03	Assembly Plate	2	
4	135.16.04-1	Assembly Plate	1	
5	135.16.04-2	Connecting Plate	1	
6	135.16.04-3	Bolt	2	
7	135.16.04-4	Pin Sheave	1	
8	135.16.04-5	Punch $\Phi 12/\Phi 16$	1	
9	135.16.04-6	Punch $\Phi 4/\Phi 8$	1	
10	135.16.04-7	Single-Head Spanner	1	
11	135.16.05	Tool Box	1	
12		Rope 35m Long	2	
13		Rope 70m Long	1	
14	2350-20/36 DWN29	Ratchet Spanner	1	
15	GB/T825-1988	Ring Screw M72	1	
16	GB/T825-1988	Ring Screw M20	1	
17	GB/T879-1986	Dowel Pin 10×100	2	
18	GB/T879-1986	Dowel Pin 16×100	2	
19	GB/T879-1986	Dowel Pin 3×L6	1	
20	GB/T8918-1996	Cable Wire 8m	1	
21	GB/T8918-1996	Cable Wire 8m	2	
22	GB/T5976-1986	Cable Clamp	10	
23	GB/T5976-1986	Cable Clamp	10	
24	GB/T5976-1986	Cable Clamp	10	
25	GB/T4388-1995	Double Ended Open Spanner 30×32	1	
26	GB/T4388-1995	Double Ended Open Spanner 19×22	1	
27	GB/T4388-1995	Single Ended Open Spanner 46	1	
28	GB/T4388-1995	Single Ended Open Spanner 27	1	
29	GB/T4388-1995	Single Ended Open Spanner 17	1	

No.	Parts-No.	Description	Qty.	Remark
30	GB/T4388-1995	Single Ended Open Spanner 55	1	
31	GB/T4388-1995	Double Ended Ring Spanner 22×24	1	
32	GB/T3390-1989	Socket Wrench SW22	1	
33	GB/T3390-1989	Socket Wrench SW46	1	
34	GB/T5356-1998	Angled Screw Driver 5	1	
35	GB/T5356-1998	Angled Screw Driver 6	1	
36	GB/T5356-1998	Angled Screw Driver 8	1	
37	GB/T5356-1998	Angled Screw Driver 10	1	
38	GB/T5356-1998	Angled Screw Driver 14	1	
40	GB/T5356-1998	Angled Screw Driver 19	1	
41		Pliers A19	1	
42		Safety Helmet	1	
43		Oil Feeder	1	
44	135.16.06	Grease Gun	1	
45	180.16-1	Screw	6	
46	190.16.7	Piston Ring Fitting Band Complete (Short)	1	
47		Extension Bar 525×20	1	
48	SG14-70	Monkey Wrench	1	