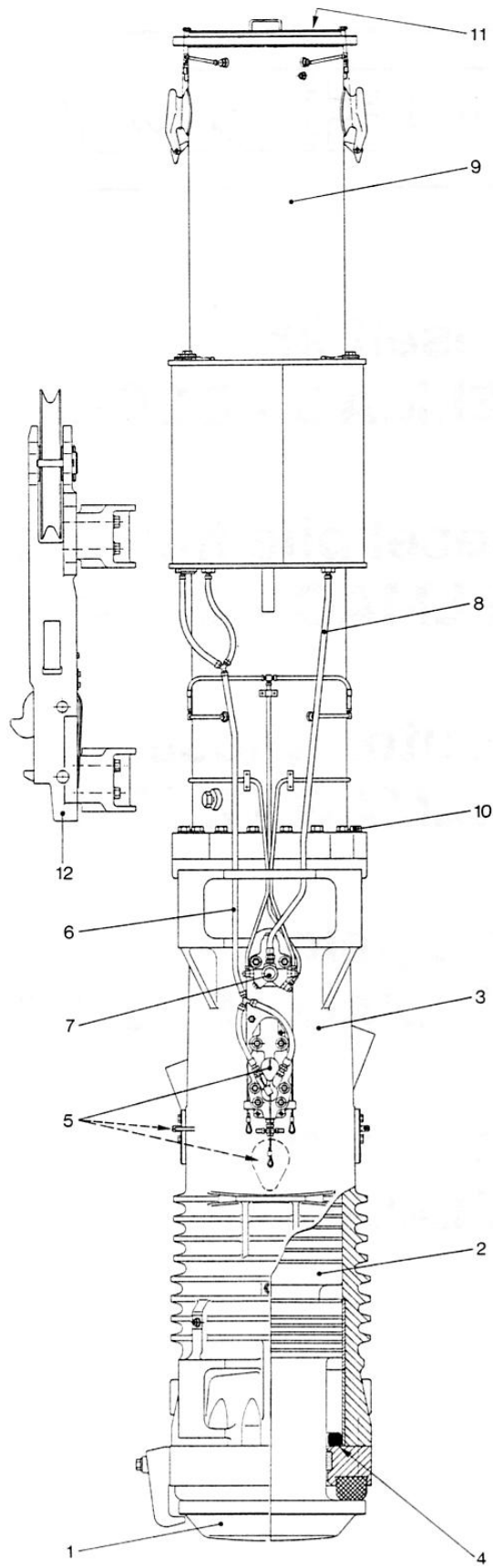


**D36-42**  
**MODEL D46-42 DIESEL PILE HAMMER**  
**D50-42**



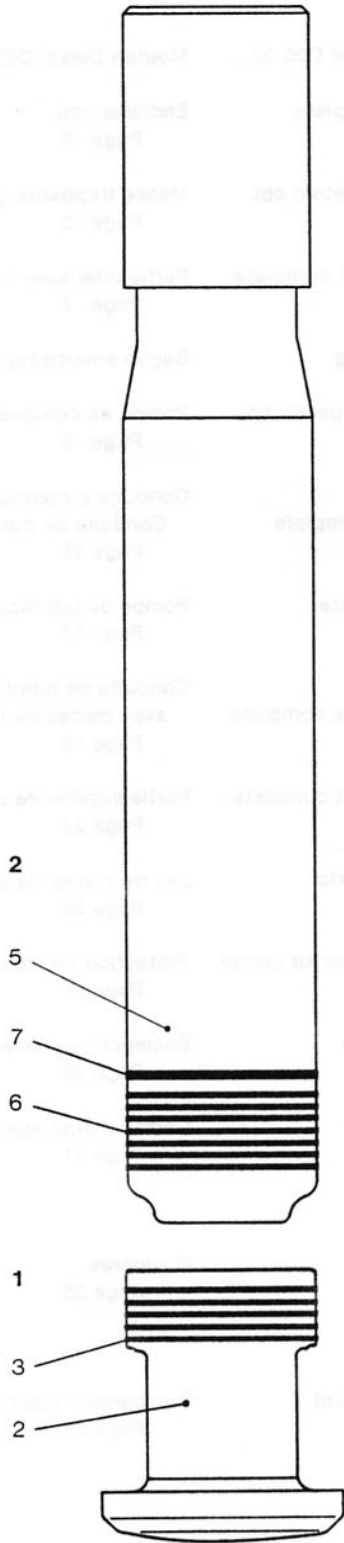
**SPARE PARTS BOOK**

Corporate Office  
7032 S. 196th Street  
Kent, WA, USA 98032  
Tel: 1-800-248-8498  
Tel: 1-253-872-0141  
Fax: 1-253-872-8710

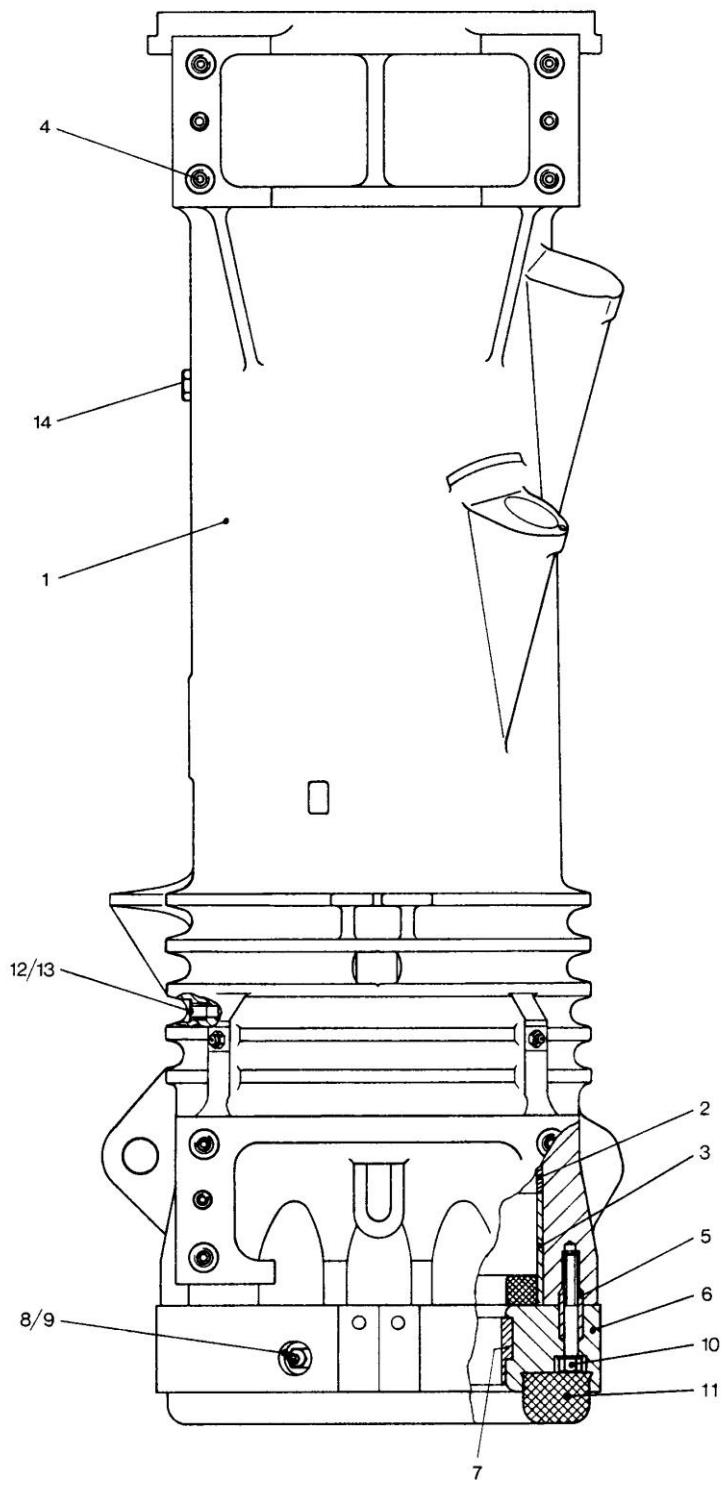


No.	Parts-No.	Description	Qty	Order-No.
-	135.00	Diesel Pile Hammer D46-32	1	66510
-	134.00	Diesel Pile Hammer D36-32	1	66509
-	175.00	Diesel Pile Hammer D50-42		
1	135.08.00	Impact Block Complete (Page 5)	1	109808
2	135.09.00	Striking Weight (Piston)Complete For D46-32 (Page 5)	1	109810
2'	134.09.00	Striking Weight (Piston)Complete For D36-32 (Page 5)	1	
2''	175.09.00	Striking Weight (Piston)Complete For D50-42 (Page 5)	1	
3	135.01.00	Cylinder Lower Part Complete (Page 7) For D46-32 And D36-32	1	109801
3''	175.01.00	Cylinder Lower Part Complete (Page 7) For D50-42	1	
4	135.00-1	Inner Damping Ring	1	60152
5	135.02.00	Variable-Delivery Fuel Pump Complete (Page 9)	1	112607
6	135.11.00	Fuel Line/Breather Line Complete (Page 15)	1	108776
7	135.07.00	Lube Pump Complete (Page 17)	2	108306
8	135.12.00	Lube Line With Connecting Complete (Page 19)	1	108777
9	135.03.00	Cylinder Upper Part Complete (Page 21)	1	109813
10	135.06.00	Set Connecting Parts Complete (Page 23)	1	65852
11	135.10.00	Transport Protecting Kit Complete (Page 25)	1	43401
12	135.05.00	Trip Gear Complete (Page 27)	1	104953
*	135.14.00	Guide Clamp	4	
*	135.15.00	Guide Gib	4	
*	135.16.00	Tool Box Complete (Page 29)	1	22236

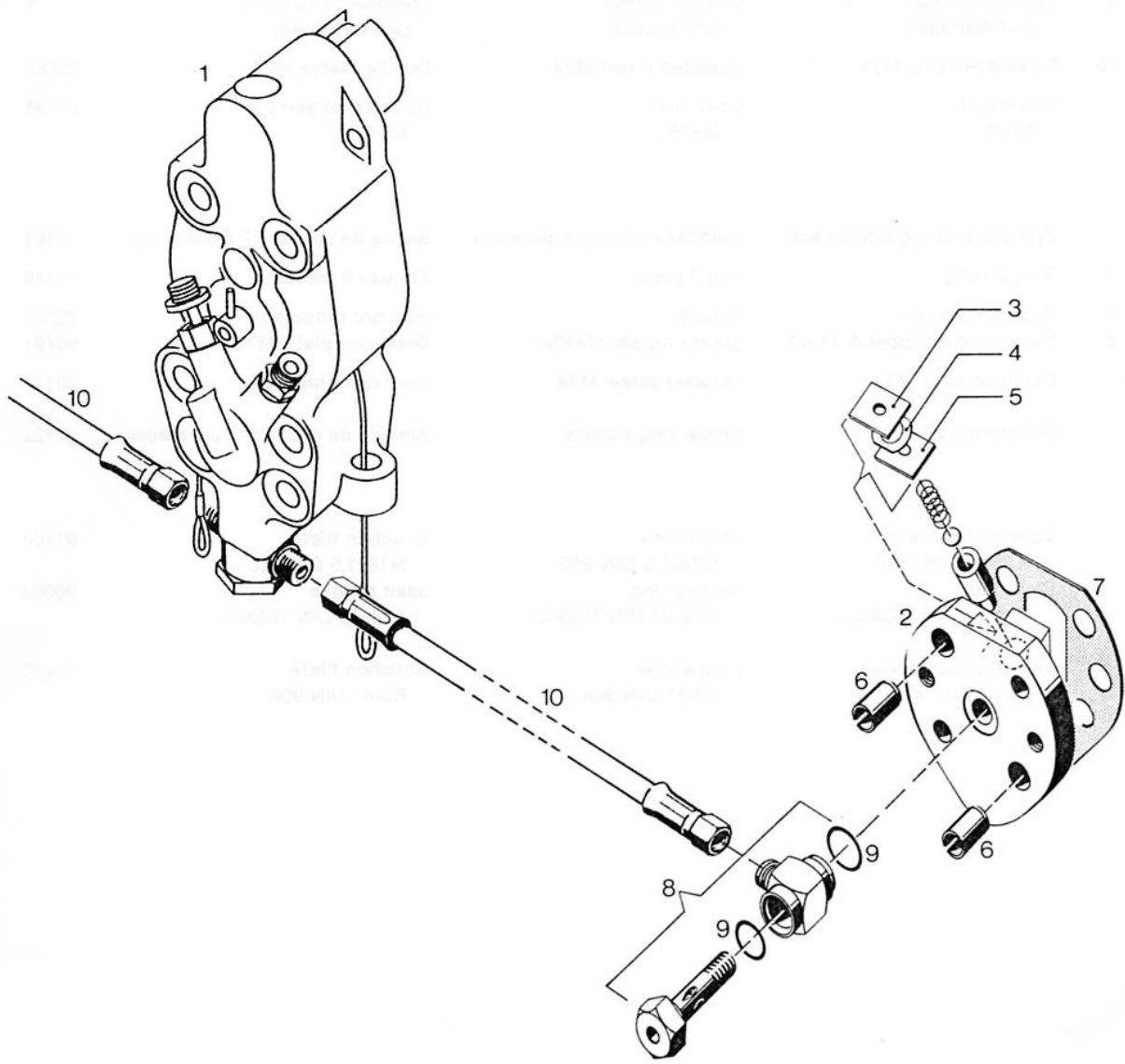
Part No.	Description	Quantity
DELMAA-08-02	Monitor Deck	1



<b>No.</b>	<b>Parts-No.</b>	<b>Description</b>	<b>Qty</b>	<b>Order-No.</b>
1	135.08.00	Impact Block Complete	1	109808
2	135.08.00-1A	Impact Block	1	109809
3	135.08.00-2A	Piston Ring	5	20221
4	135.09.00	Striking Weight (Piston) Complete For D46-32	1	109810
4'	134.09.00	Striking Weight (Piston) Complete For D36-32	1	
4''	175.09.00	Striking Weight (Piston) Complete For D50-42	1	
5	135.09.00-1	Striking Weight (Piston) For D46-32	1	109811
5'	134.09.00-1	Striking Weight (Piston) For D36-32	1	112317
5''	175.09.00-1	Striking Weight (Piston) For D50-42	1	
6	135.08.00-2	Piston Ring	7	20221
7	135.09.00-2	Catch Piston Ring	1	20220

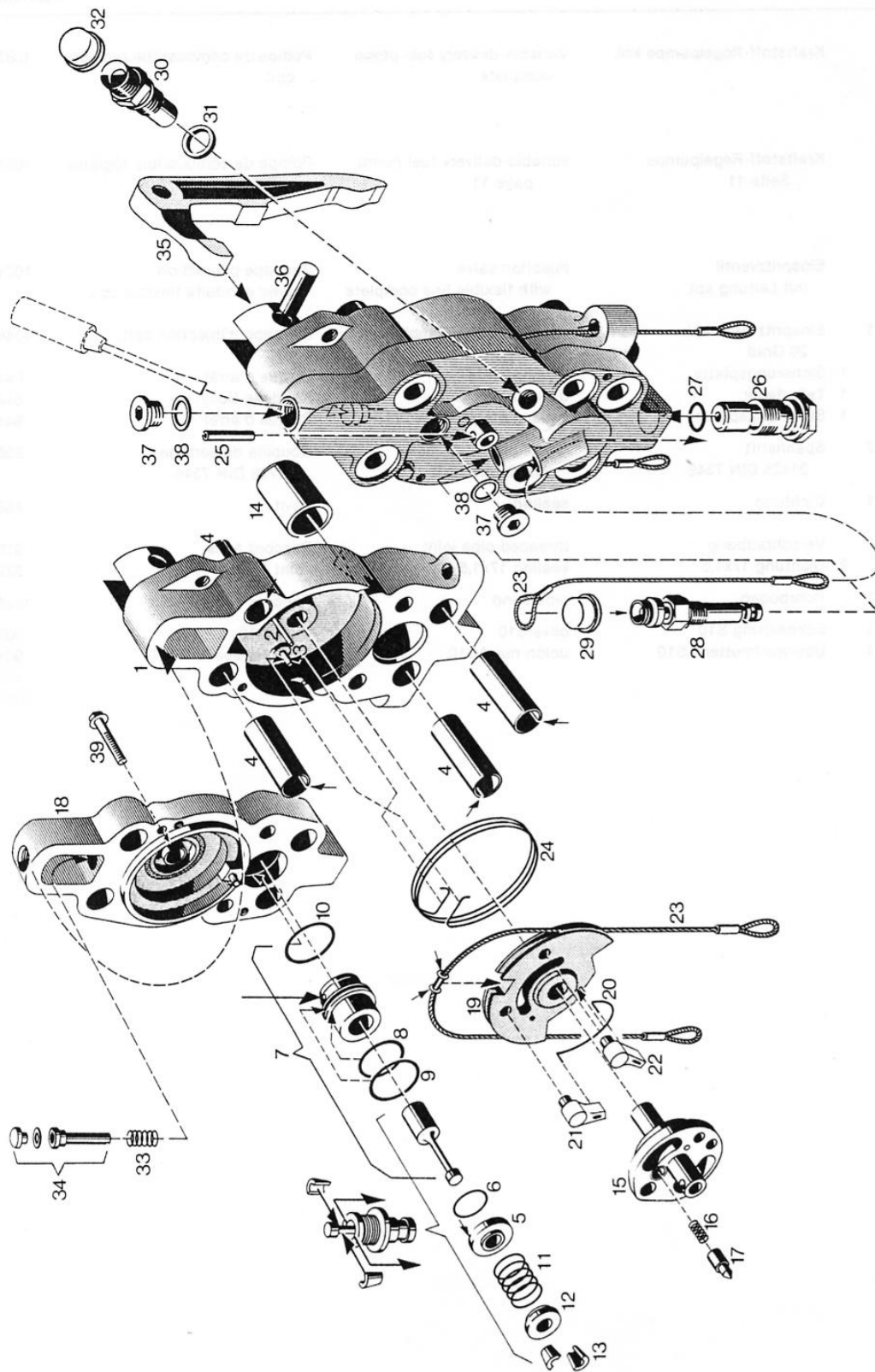


No.	Parts-No.	Description	Qty.	Order-No.
-	135.01.00	Cylinder Lower Part Complete For D46-32	1	109801
	134.01.00	Cylinder Lower Part Complete For D36-32	1	
1	135.01.01	Cylinder Lower Part For D46-32	1	109802
1'	134.01.01	Cylinder Lower Part For D36-32	1	112321
1''	175.01.01	Cylinder Lower Part For D50-42	1	
2	135.01.01-1	Cylinder Sleeve(On Request)	1	X
3	135.01.01-2	Cylinder Sleeve(On Request)	1	Y
4	135.01.01-3	Threaded Insert M24	16	95582
5	135.06.00-4	Dowel Pin 40×75	8	95195
5''	175.06.00-5	Dowel Pin 45×60	8	
6	135.01.02.01	Cylinder End Ring 2 Piece Complete	1	43366
6''	175.01.02.01	Cylinder End Ring 2 Piece Complete For D50-42	1	
7	135.01.02-1	Ring 2 Piece	1	41348
8	135.01.02-2	Reducer	2	22592
9	135.01.02.02A	Grease Nipple M10×1	2	90791
10	135.06.00-2	Reduced Screw M24	16	20174
10''	175.06.00-3	Reduced Screw M30	16	
11	135.01.00-1	Rubber Ring 2 Piece	1	22122
12	JB1000-1987	Plug Screw M1 8×1.5 DIN910	1	91460
13	135.01.00-2	Sealing Ring A18×22 DIN7603-Cu	1	90002
14	135.01.00-4	Plug Screw R3/8" DIN908	1	93235



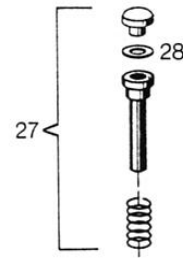
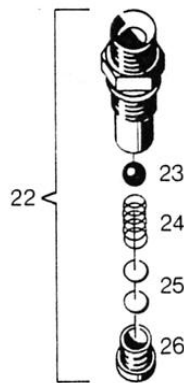
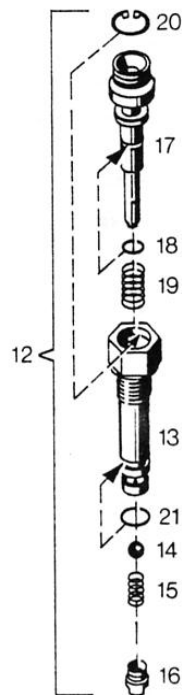
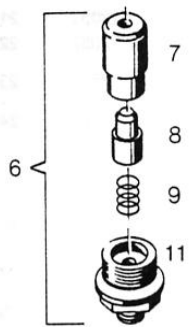
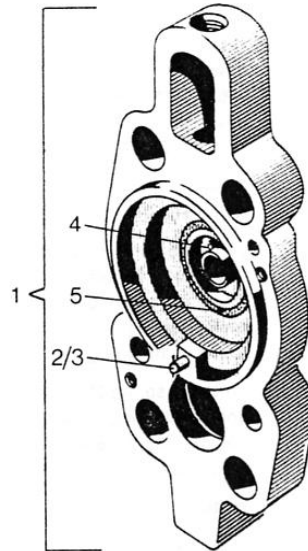


No.	Parts-No.	Description	Qty.	Remark
		Fuel Injection Device	1	112607
1	135.02.00	Variable-Delivery Fuel Pump Complete (Page 11)	2	105202
2	135.02.07	Injection Valve Complete	2	63841
	135.02.07-1	Injection Valve Body	2	63842
3	135.02.07-3	Locking Plate	2	64460
4	135.02.07-2A	Spring Washer	2	64461
5	135.02.07-3	Locking Plate	2	64460
	135.02.07-4	Valve Piston	2	63843
	135.02.07-5	Pressure Spring	2	97569
	135.02.07-7	Adjusting Washer	4	97573
6	135.02.00-27	Dowel Pin 21 × 28 DIN7346	4	95633
7	135.02.00-28	Sealing	2	45647
8	135.02.00-26	Threaded Pipe Joint	2	97038
	135.02.00-33	Hollow Screw	2	
9	135.02.00-32	Round Sealing Ring 17 × 1.5	4	97258
10	135.02.08A	High Pressure Hose Line	2	191205

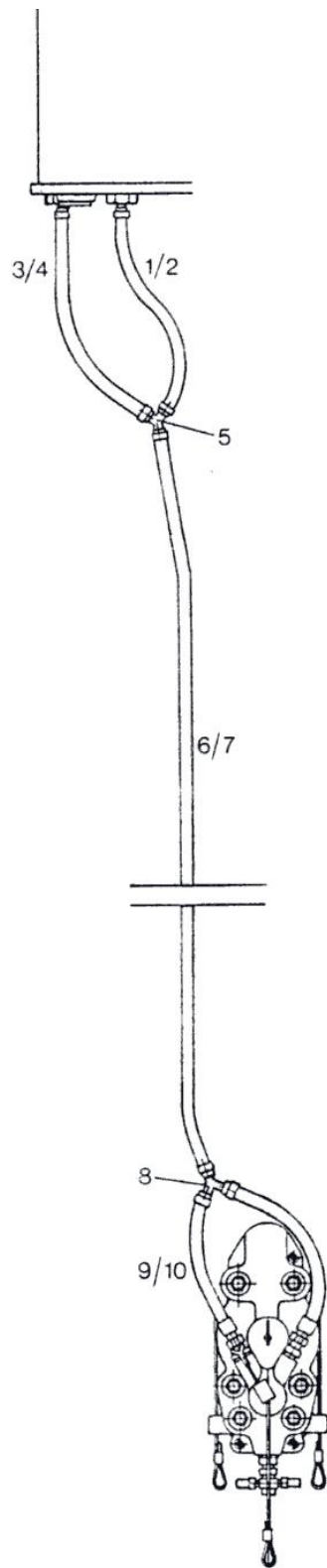


No.	Parts-No.	Description	Qty.	Remark
-	135.02.00	Variable-Delivery Fuel Pump Complete	1	105202
1	135.02.05	Pump Body Complete	1	43289
2	GB/T879-1986	Dowel Pin 5×40 DIN1481	1	90155
3	GB/T879-1986	Dowel Pin 6×28 DIN1481	1	90137
4	135.02.00-25	Dowel Pin 28×80 DIN7346	4	94315
5	135.02.00-24	Holder Ring	1	43994
6	135.02.00-19	Round Sealing Ring 35×2.5	1	92996
7	135.02.03	Pump Element Complete, D46-32	1	64813
7'	134.02.03	Pump Element Complete, D36-32	1	64804
7''	142.02.03	Pump Element Complete, D50-42	1	
8	135.02.03-3	Round Sealing Ring 40×2.5	1	91339
9	135.02.03-2	Round Sealing Ring 47×2.5	1	96080
10	135.02.03-1	Round Sealing Ring 42×3	1	95933
11	135.02.00-20	Pressure Spring	1	22060
12	135.02.00-21	Spring Retaining Collar	1	22058
13	135.02.00-22	Conical Ring 2 Piece	1	22059
14	135.02.00-23	Guide Sleeve	1	43287
15	135.02.01	Switch Shaft	1	43308
16	135.02.00-11	Pressure Spring 5.5×20×1.2	1	22044
17	135.02.00-10	Screen Pin	1	22049
18	135.02.02	Pump Cover Complete	1	43291
19	135.02.04	Rope Disc Complete	1	22040
20	135.02.00-15	Spring	1	22045
21	135.02.00-14	Cam	1	22051
22	135.02.00-13	Cam	1	22052
23	135.02.11	Regulating Rope	2	17546
24	135.02.00-18	Swivel Spring	1	22062
25	GB/T879-1986	Dowel Pin 6×40 DIN1481	1	90150
26	135.02.06	Check-Non-Return Valve Complete (Page 13)	1	60827
27	135.02.00-12	Round Sealing Ring 22×3	1	91296
28	135.02.10	Stop Valve Complete (Page 13)	1	41868
29	135.02.00-31	Protecting Cap	1	93236
30	135.02.09	Suction Valve Complete (Page 13)	1	41863
31	135.02.00-29	Sealing Ring A20×24 DIN7603-Cu	1	92031
32	135.02.00-31	Protecting Cap	1	93236
33	135.02.00-8	Pressure Spring 14.5×34×1	1	22046
34		Pressure Piece Complete (Page 13)	1	62125
35	135.02.00-17	Pump Lever	1	41869

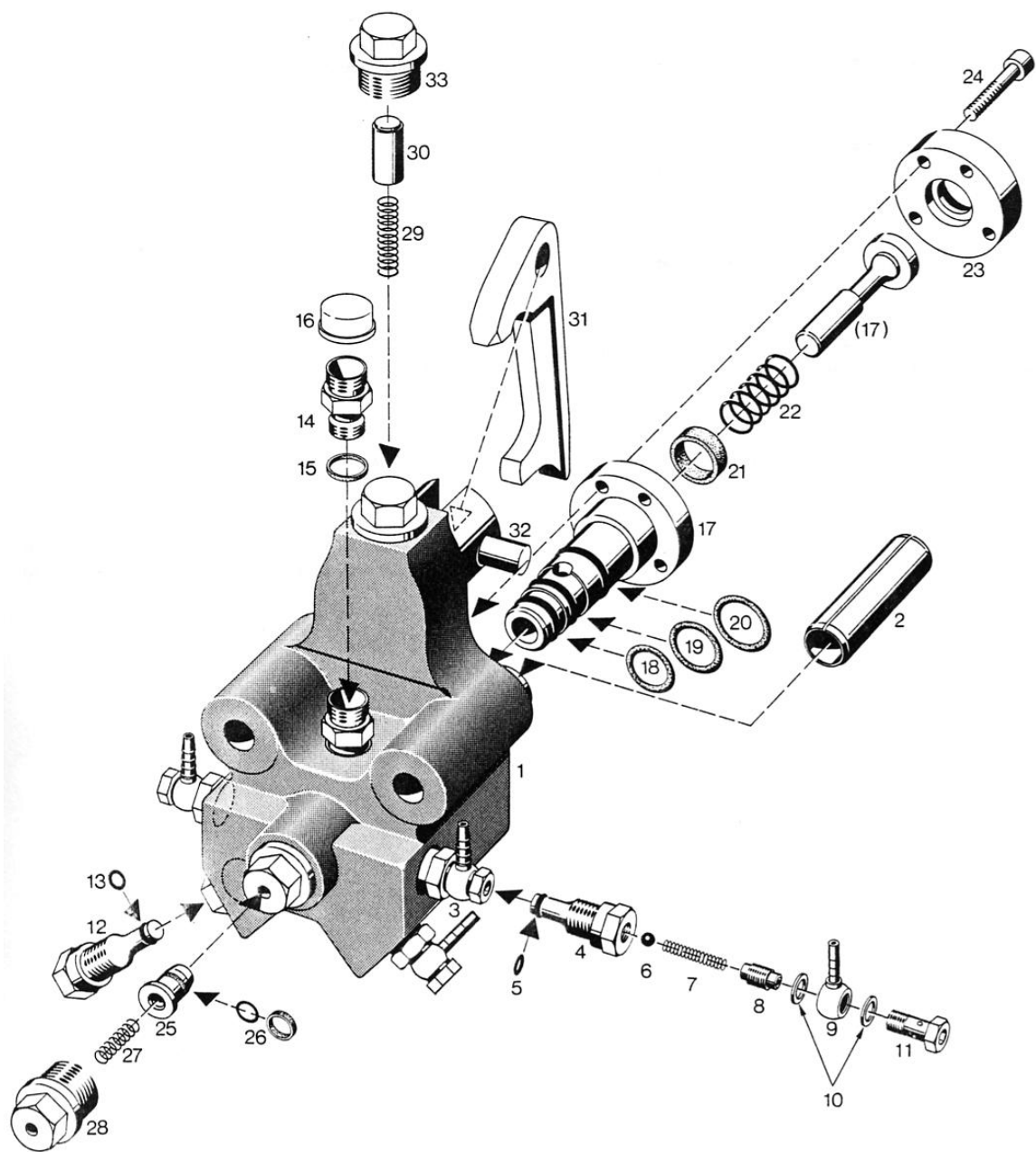
No.	Parts-No.	Description	Qty.	Remark
36	135.02.00-16	Pin	1	22043
37	JB1001-1977	Plug Screw M18 DIN908	2	93055
38	135.02.00-1	Sealing Ring A18×22 DIN7603-Cu	2	90002
39	GB/T5782-1986	Locking Screw M8×50	1	93456



No.	Parts-No.	Description	Qty.	Remark
1	135.02.02	Pump Cover Complete	1	43291
2	GB/T879-1986	Dowel Pin 10×32 DIN1481	1	90231
3	135.02.02.01	Stop	1	22796
4	135.02.02-3	Stop Pin	4	43307
5	135.02.02-2	Ring	1	22050
6	135.02.06	Non-Return Valve Complete	1	43296
7	135.02.06-1	Housing		43297
8	135.02.06-2	Valve Piston	1	43299
9	135.02.06-3	Pressure Spring	1	22034
10	135.02.06-5	Ring Type Nipple	1	60195
11	135.02.06-4	Screw	1	60194
12	135.02.10	Stop Valve Complete	1	60867
13	135.02.10-7	Valve Screw	1	43130
14	GB/T308-1986	Ball Φ8.731mm LLL DIN5401	1	98511
15	135.02.10-5	Pressure Spring	1	98929
16	135.02.10-4	Threaded Plug	1	22021
17	135.02.10-1	Valve	1	43138
18	135.02.10-6	Round Sealing Ring 8×3		91894
19	135.02.10-2	Pressure Spring	1	43279
20	GB/T893-1986	Circlip 22×1 DIN472	1	95768
21	135.02.10-3	Round Sealing Ring 12×3	1	94316
22	135.02.09	Suction Valve Complete	2	41863
23	GB/T308-1986	Ball Φ8.731 Mm LLL DIN5401	1	98511
24	135.02.09-2	Pressure Spring 7.3×8×0.7	1	22022
25	135.02.09-3	Washer	2	22023
26	135.02.09-4	Threaded Plug	1	41862
27		Pressure Piece Complete	1	62125
	135.02.00-3	Push Cap	1	
28	135.02.00-4	Adjusting Washer 8.2×19.8×0.3	1	97332
28	135.02.00-5	Adjusting Washer 8.2×19.8×0.4	1	97348
28	135.02.00-6	Adjusting Washer 8.2×19.8×0.5	1	97333
28	135.02.00-7	Adjusting Washer 8.2×19.8×0.6	1	97334
	135.02.00-9	Push Rod	1	
	135.02.00-8	Pressure Spring 14.5×34×1	1	22046



No.	Parts-No.	Description	Qty.	Remark
-	135.11.00	Fuel Line/Breather Line Complete	1	108776
1	135.11.02	Hose (0.48m Long)	1	99066
2	No.0	Hose Clip	2	94299
3	135.11.02	Hose (0.8m Long)	1	17332
4	No.0	Hose Clip	2	94299
5	135.11.01A	Y-Hose Piece	1	99019
6	135.11.00-3	Hose (1.35m Long)	1	190562
7	No.0	Hose Clip	2	94299
8	135.11.01 A	Y- Hose Piece	1	99019
9	135.11.00-2	Hose (0.275m Long)	2	96504
10	No.0	Hose Clip	2	94299

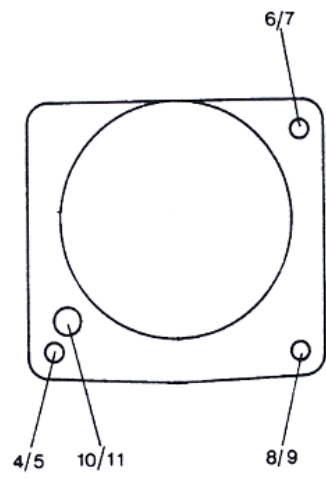
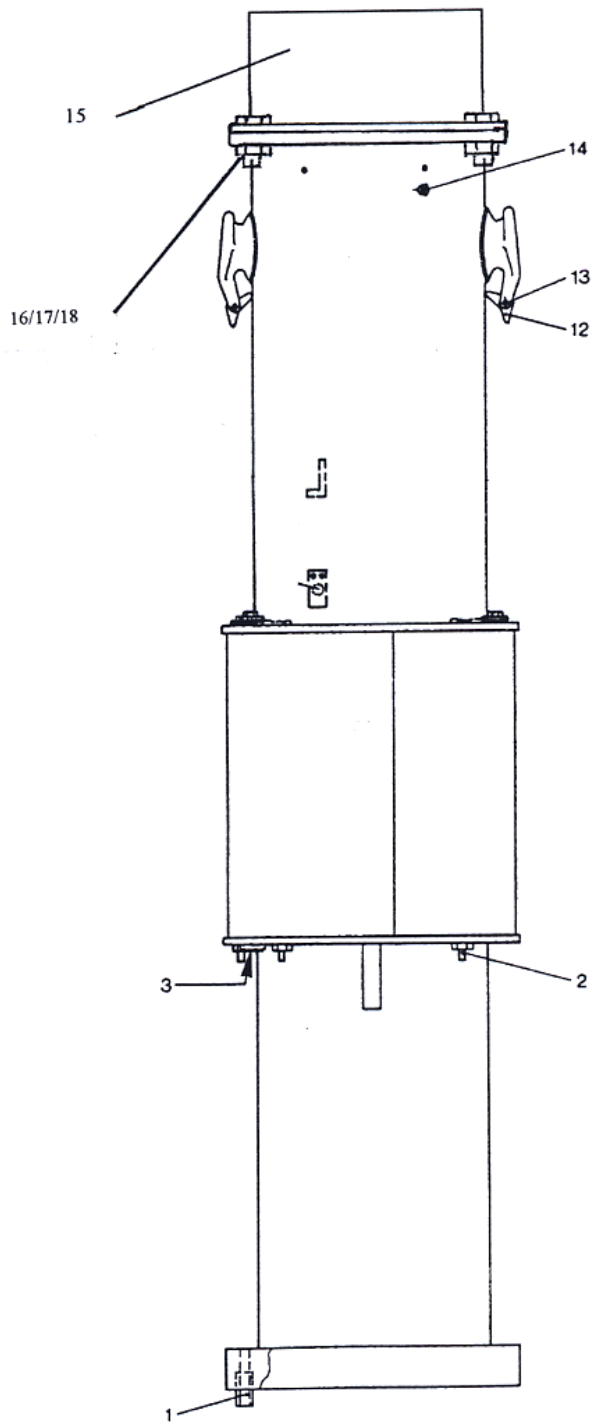




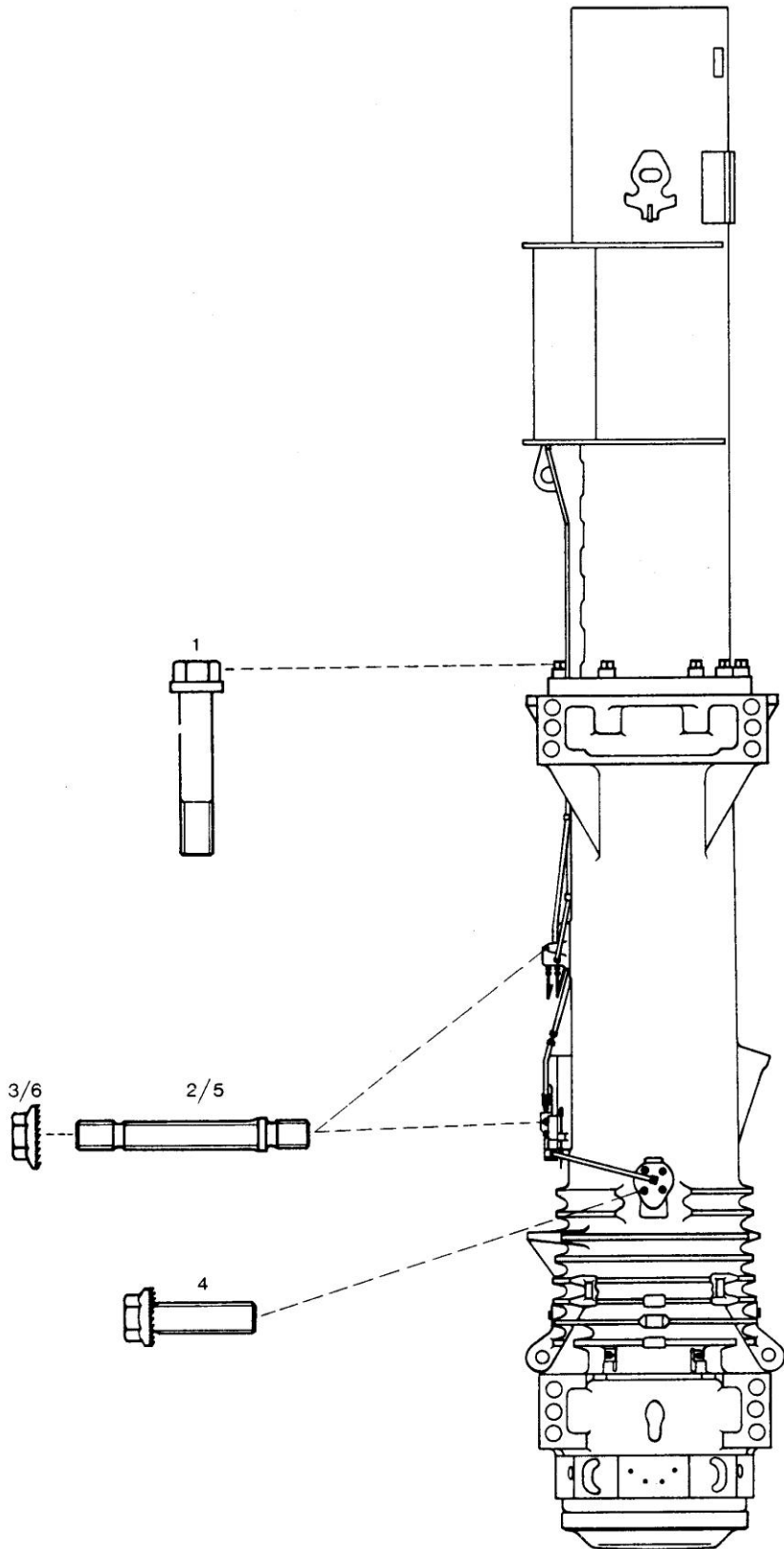
No.	Parts-No.	Description	Qty.	Remark
-	135.07.00	Lube Pump Complete	1	108306
1	135.07.00-7	Pump Body	1	108315
2	135.02.00-25	Dowel Pin 28×80 DIN1481	2	94315
3	135.07.03	Pressure Valve Complete	3	108317
4	135.07.03-4	Adaptor (Tube To Thread)	1	108319
5	135.07.03-7	Round Sealing Ring 8×2	1	97855
6	GB/T308-1989	Ball Φ6.000mm VI DIN5401	1	90307
7	135.07.03-6	Pressure Spring 5×36×0.8	1	190005
8	135.07.03-5	Threaded Plug	1	104679
9	135.07.03-1	Ring Type Nipple	1	97949
10	135.07.03-3	Sealing Ring A12×15.5 DIN7603-Cu	2	91417
11	135.07.03-2	Hollow Screw A6 DIN7623-6.8	1	97948
12	135.07.04-1	Plug Screw Complete	1	108316
13	135.07.03-7	Round Sealing Ring 8×2	1	97855
14	135.07.00-3	Adaptor (Tube To Thread)	1	67290
15	135.02.00-29	Sealing Ring A20×24 DIN7603-Cu	1	92031
16	135.02.00-31	Protecting Cap	1	93236
17	135.07.01	Cylinder Complete	1	67279
18	135.02.00-12	Round Sealing Ring 22×2	1	91296
19	135.07.01-4	Round Sealing Ring 26×3	1	91357
20	135.07.01-3	Round Sealing Ring 30×3	1	92952
21	135.07.00-9	Ring	1	67283
22	135.07.00-10	Pressure Spring 22×52×2.8	1	97325
23	135.07.00-11	Washer	1	67282
24	GB/T70-1985	Screw M8×35 DIN912-8.8	4	90937
25	135.07.02	Piston Complete	1	67284
26	135.07.02-3	Slide Ring	1	97326
27	135.07.00-4	Pressure Spring 7.3×29.4×1.2	1	190479
28	135.07.00-5	Plug Screw	1	108309
29	135.07.00-8	Pressure Spring 10×43×2	1	22089
30	135.07.00-2	Sleeve	1	22090
31	135.07.00-6	Pump Lever	1	22081
32	135.07.00-1	Pin	1	22082
33	135.07.00-12	Plug Screw R1” DIN910	1	91976



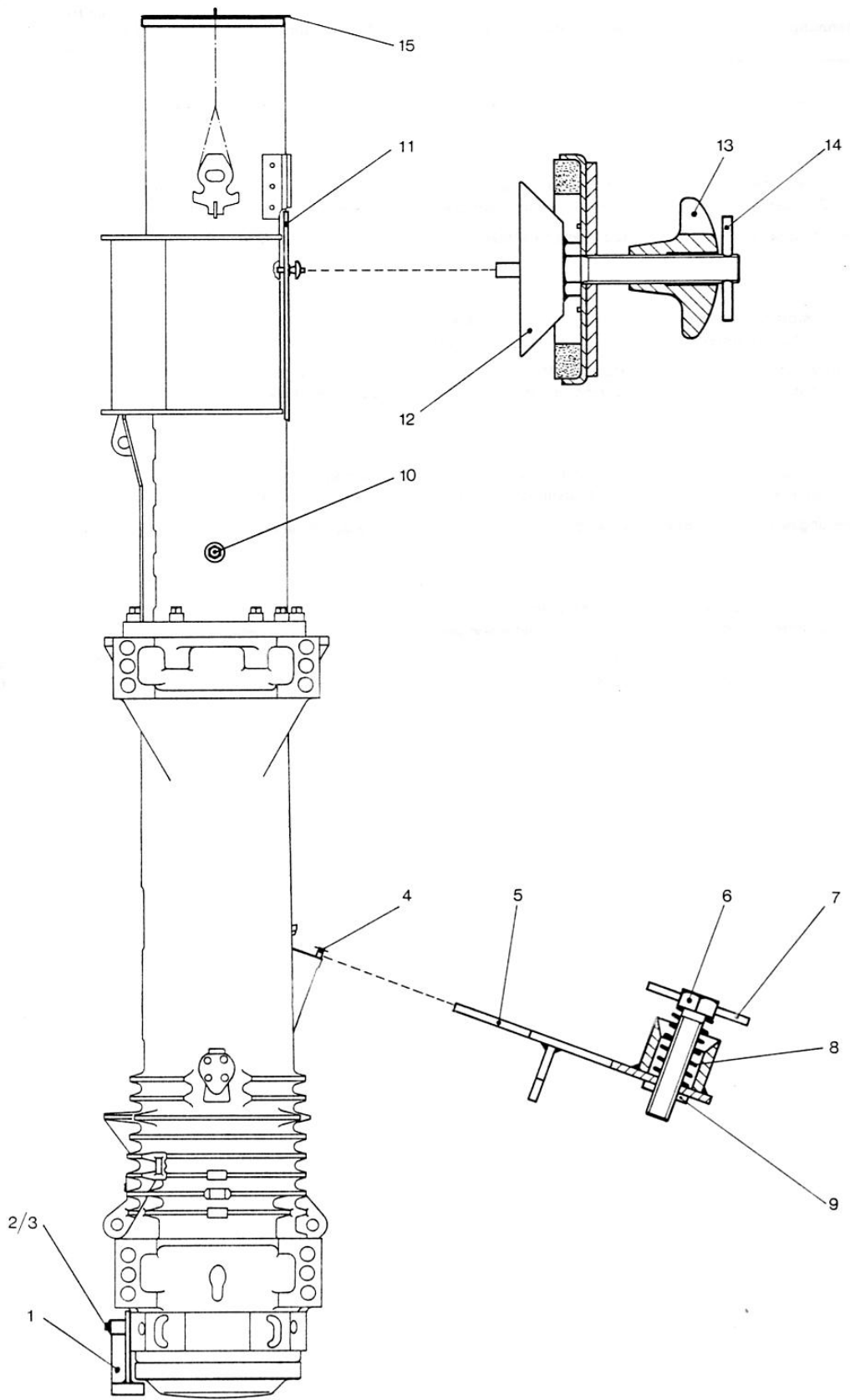
No.	Parts-No.	Description	Qty.	Remark
-	135.12.00	Lube Line With Connecting Parts Complete	1	108777
1	135.12.00-2	Hose (1.6m Long)	1	190564
2	No.0	Hose Clip	1	94299
3	135.07.03-3	Sealing Ring A12×15.5 DIN7603-Cu	8	91417
4	135.07.03-1	Ring Type Nipple	8	97949
5	135.07.03-3	Sealing Ring A12×15.5 DIN7603-Cu	8	91417
6	135.07.03-2	Hollow Screw	8	97948
7	135.12.00-6	Hose (1.35m Long)	1	190563
8	No.000	Hose Clip	2	95115
9	135.12.00-7	T-Piece	1	94522
10	135.12.00-4	Hose (0.56m Long)	2	64848
11	No.000	Hose Clip	4	95115
12	135.12.00-7	T-Piece	1	94522
13	135.12.00-5	Hose (0.28m Long)	4	14644
14	No.000	Hose Clip	8	95115
15	135.12.00-3	Hose (4.05m Long)	1	2033
16	No.000	Hose Clip	2	95115
17	135.12.00-7	T-Piece	1	94522
18	135.12.00-5	Hose (0.28m Long)	2	14644
19	No.000	Hose Clip	4	95115
20	135.12.00-3	Hose (4.05m Long)	1	2033
21	No.000	Hose Clip	2	95115
22	135.12.00-7	T-Piece	1	94522
23	135.12.00-5	Hose (0.28m Long)	2	14644
24	No.000	Hose Clip	4	95115
25	135.12.00-1	Hose Clip	15	2932
26	135.12.00-8	Locking Screw M8×12	30	93412
27	135.01.02-2	Reducer	4	22592
28	135.01.02.02A	Grease Nipple M10×L	4	90791



No.	Parts-No.	Description	Qty.	Remark
-	135.03.00A	Cylinder Upper Part Complete	1	109813
1	135.06.00-4	Dowel Pin 40×75	8	95195
2	135.03.02	Filter Elbow	3	64403
*	135.03.02-1	Screwed Joint		66552
*	135.03.02-2	Filter Element		99896
3	135.03.00-2	Protection Plug	1	96890
4	135.03.05-1	Plug Screw “Diesel”	1	17184
5	135.03.03-2	Chain Link, Exchangeable	1	2253
6	135.03.05-1	Plug Screw “Diesel”	1	17186
7	135.03.03-2	Chain Link, Exchangeable	1	2253
8	135.03.04-1	Plug Screw “Oil”	1	17188
9	135.03.03-2	Chain Link, Exchangeable	1	2253
10	135.03.05-1	Plug Screw “Ether”	1	20651
11	135.03.03-1	Chain Link, Exchangeable	1	2253
12	135.03.00-1	Ratchet	2	17039
13	135.03.00-3	Dowel Pin 13×60	2	90044
14	135.01.02.02A	Grease Nipple M10×L	2	90791
15	135.3.1.3	Extend Cylinder	1	
16	GB/T5782-1986	Screw M24×110	12	
17	GB/T6185-1986	Nut M24	12	
18	GB/T93-1987	Washer24	12	

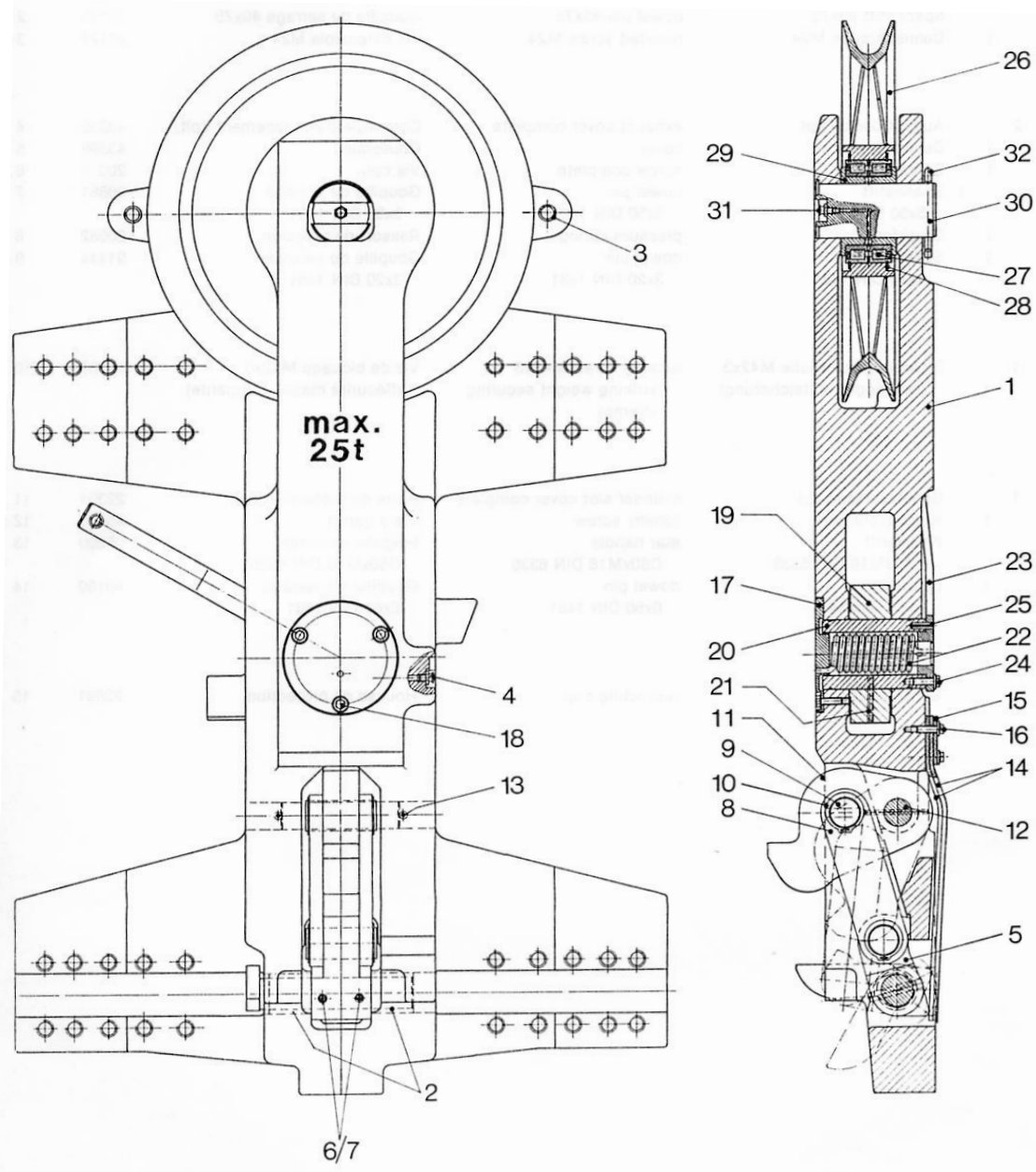


No.	Parts-No.	Description	Qty.	Remark
-	135.06.00	Set Connecting Parts Complete For Cylinder Upper Part With Lower Cylinder Part:	1	63852
1	135.06.00-2	Reduced Screw M24 For Variable-Delivery Fuel Pump With Lower Cylinder Part.	16	20174
2	135.06.00-1	Stud Bolt M16	6	20189
3	135.06.00-5	Locking Nut M16 For Injection Valve With Lower Cylinder Part.	6	94722
4	135.06.00-6	Locking Screw M16×45 For Lube Pump With Lower Cylinder Part.	8	95639
5	135.06.00-1	Stud Bolt M16	2	20189
6	135.06.00-5	Locking Nut M16	8	94722
*	135.06.00-4	Dowel Pin 40×75	8	95195
*	135.06.00-2	Reduced Screw M24 (For Guide Clamps With Lower Cylinder Part)	12	20174
*	135.06.00-3	Reduced Screw M24×150-8.8 (For Guide Gibs With Trip Gear)	8	96936





No.	Parts-No.	Description	Qty.	Remark
-	135.10.00	Transport Protection Complete	1	43401
1	135.10.01	Impact Block Securing Clamp	1	22300
2	135.06.00-4	Dowel Pin 40×75	1	95195
3	135.06.00-2	Reduced Screw M24	1	20174
4	135.10.04	Exhaust Complete	2	43399
5	135.10.04.01	Cover	2	43398
6	135.10.04.02	Screw Complete	2	20076
7	GB/T879-1986	Dowel Pin 5×50 DIN1481	2	90661
8	135.10.04-1	Pressure Spring	2	20082
9	GB/T879-1986	Dowel Pin 3×20 DIN1481	2	91144
10	135.10.00-1	Locking Screw M42×3	1	105787
11	135.10.02	Cylinder Slot Cover Complete	1	22301
12	135.10.02.02	Tommy Screw	1	45650
13	135.10.02-2	Star Handle D80×M16 DIN6335	1	96200
14	GB/T879-1986	Dowel Pin 6×60 DIN1481	1	90160
15	135.10.03A	Protecting Cap	1	22691
*	135.10.05	Transport Angle Bracket	4	



No.	Parts-No.	Description	Qty.	Remark
-	135.05.00	Trip Gear Complete	1	104953
1	135.05.00-6	Guide Body Complete	1	104954
2	135.05.00-11	Sleeve	2	16916
3	GB/T879-1986	Dowel Pin 25×140 DIN1481	2	92663
4	135.01.02.02A	Grease Nipple M10×L	2	90791
5	135.05.03	Pawl Lever	1	104952
6	GB/T879-1986	Dowel Pin 8×80	2	90173
7	GB/T879-1986	Dowel Pin 13×80	2	90600
8	135.05.00-1	Shackle	2	16781
9	135.05.00-2	Joint Bolt	2	16922
10	GB/T893-1986	Circlip 45×1.75 DIN471	1	93242
11	135.05.00-3	Pawl	1	16921
12	135.05.00-10	Pin	1	104944
13	GB/T879-1986	Dowel Pin 6×90	2	95186
14	135.05.00-9	Leaf Spring	2	16801
15	135.05.00-8	Plate	1	17045
16	135.05.00-14	Locking Screw M10×30	3	93414
17	135.05.00-5	Cover	1	104927
18	135.05.00-14	Locking Screw M10×30	3	93414
19	135.05.00-12	Carrier	1	104925
20	135.05.00-4	Shaft	1	104926
21	GB/T879-1986	Dowel Pin 16×70	1	90874
22	135.05.00-7	Torsion Spring	1	104943
23	135.05.00-17	Lever	1	104928
24	135.05.00-14	Locking Screw M10×30	3	93414
25	GB/T879-1986	Dowel Pin 10×32	1	90231
26	135.05.04A	Rope Pulley Complete	1	190106
	135.05.04A-2	Rope Pulley	1	
27	GB/T292-1994	Bearing 36220	2	
28	135.05.04A-4	Pressure Plate	1	
	GB/T93-1987	Washer 8	6	
	GB/T5782-1986	Screw M8×20	6	
29	135.05.04A-1	Sleeve	2	
	135.05.04A-3	Adjusting Ring	3	
30	135.05.01	Sheave Pin Complete	1	104946
	135.05.01-1	Sheave Shaft		104947
31	135.01.02.02A	Grease Nipple M10×L	1	90791
32	GB/T91-1986	Split Pin 10×112DIN94-St	1	95274

No.	Parts-No.	Description	Qty.	Remark
*	135.05.05	Hoist Plate Complete	1	
*		Shackle 4.9	1	
*	GB/T5782-2000	Screw M24×65	6	
*	GB/T93-1987	Washer 24	6	

No.	Parts-No.	Description	Qty.	Remark
-	135.16	Tools And Accessories	1	
1	135.16.1	Piston Ring Fitting Band Complete	1	22695
2	135.16.02	Piston Ring Fitting Pliers Complete	1	16897
3	135.16.03	Assembly Plate Complete	2	22700
4	135.16.04-1	Assembly Plate	1	22251
5	135.16.04-2	Connecting Plate	1	22252
6	135.16.04-3	Bolt	2	22253
7	135.16.04-4	Pin Sheave	1	22259
8	135.16.04-5	Punch $\Phi 12/\Phi 16$	1	93349/90354
9	135.16.04-6	Punch $\Phi 4/\Phi 8$	1	90178/93348
10	135.16.04-7	Single-Head Spanner	1	
11	135.16.05	Tool Box	1	90890
12		Rope 35m Long	2	1130
13		Rope 70m Long	1	1129
14	2350-20/36 DWN29	Ratchet Spanner	1	90196
15	GB/T825-1988	Ring Screw M48	1	93343
16	GB/T8918-1996	Cable Wire 3m	2	
17	GB/T5976-1986	Cable Clamp	10	
18	GB/T4388-1995	Double Ended Open Spanner 30×32 DIN895	1	90655
19	GB/T4388-1995	Double Ended Open Spanner 22×24 DIN895	1	95834
20	GB/T4388-1995	Double Ended Open Spanner 19×22 DIN895	1	90443
21	GB/T4388-1995	Single Ended Open Spanner 46 DIN894	1	90184
22	GB/T4388-1995	Single Ended Open Spanner 27 DIN894	1	90465
23	GB/T4388-1995	Single Ended Open Spanner 17 DIN894	1	
24	GB/T4388-1995	Double Ended Ring Spanner 22×24 DIN838	1	95834
25	GB/T4388-1995	Double Ended Ring Spanner 17×19 DIN838	1	92015
26	GB/T3390-1989	Socket Wrench SW36	1	94461
27	GB/T5356-1998	Angled Screw Driver 5 DIN911	1	90055
28	GB/T5356-1998	Angled Screw Driver 6 DIN911	1	90862
29	GB/T5356-1998	Angled Screw Driver 8 DIN911	1	90657
30	GB/T5356-1998	Angled Screw Driver 19 DIN911	1	90194
31		Pliers A19 DIN5254	1	90785
32		Safety Helmet	1	92133
33		Oil Feeder	1	90670
34	135.16.06	Grease Gun	1	90795
35		Shackle 4.9	1	