

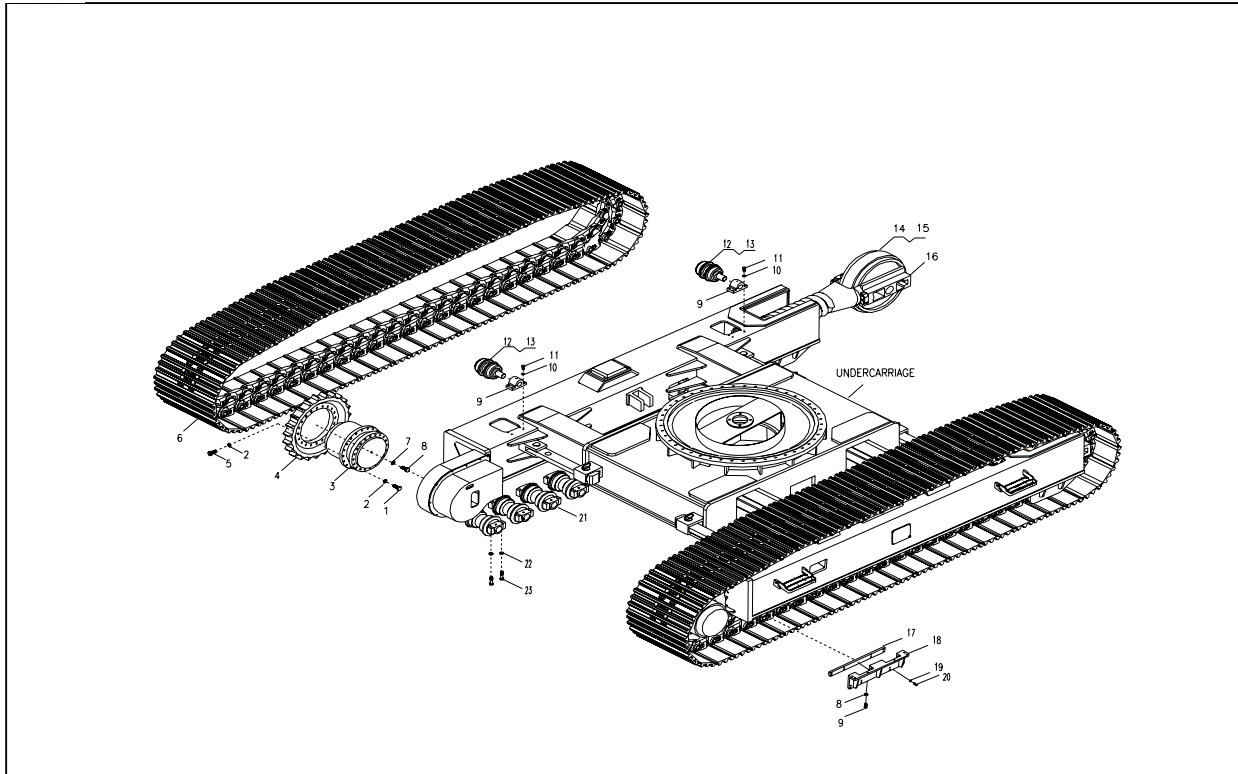
SA-20 DRILL RIG



PARTS BOOK

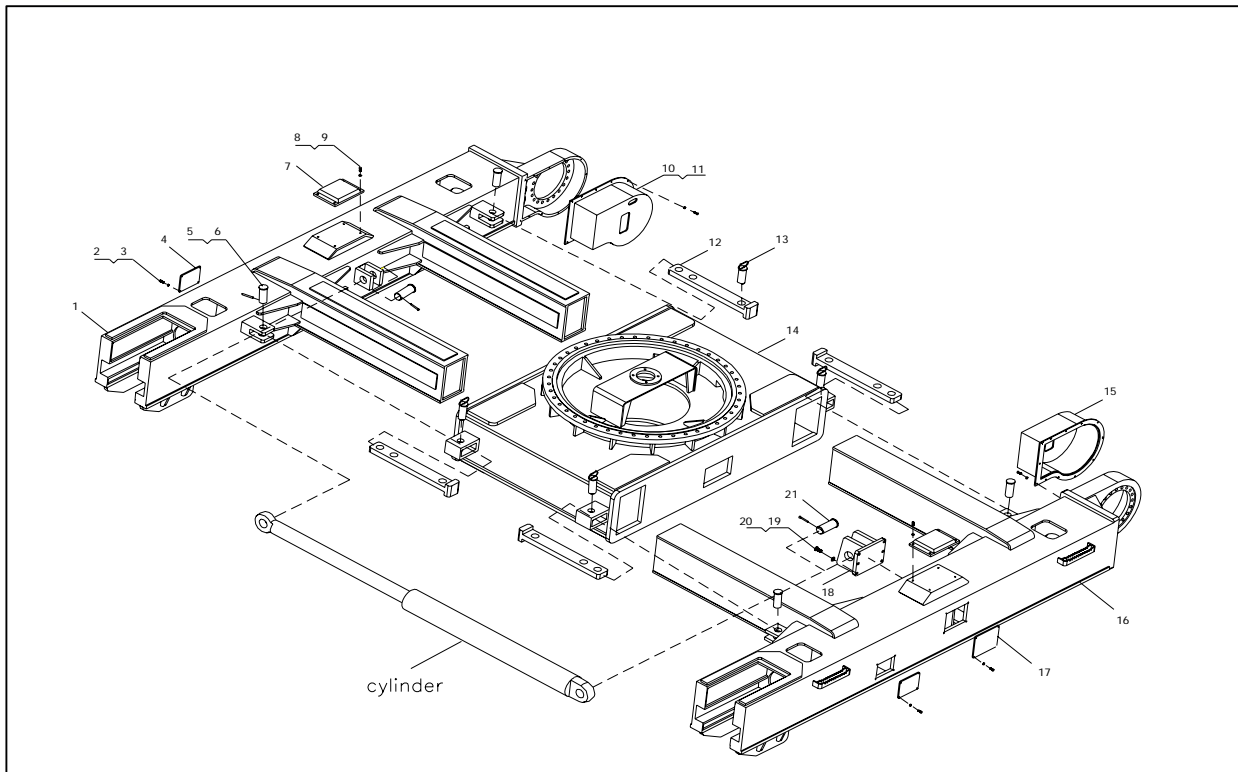
SA-20

| ITEM | PART NUMBER | PART NAME | QTY | REMARK |
|------|--------------|---------------------------|-----|-----------------------------|
| 1 | 803601000000 | Traveling Mechanism | 1 | |
| 2 | 803602000000 | Carriage | 1 | |
| 3 | | Drilling Tool | 1 | Subject to client's request |
| 4 | 809000000000 | Rotary Head | 1 | |
| 5 | 803605000000 | Kelly Bar | 1 | |
| 6 | 803606040000 | Cathead | 1 | |
| 7 | 803606000000 | Mast | 1 | |
| 8 | 803604000000 | Parallelogram System | 1 | |
| 9 | 807200000000 | Cabin Assembly | 1 | |
| 10 | 807206000000 | Operation Platform Layout | 1 | |
| 11 | 803608000000 | Main Winch | 1 | |
| 12 | 803609000000 | Auxiliary Winch | 1 | |
| 13 | 803610000000 | Sheet Metal | 1 | |
| 14 | 803612000000 | Counterweight | 1 | |
| 15 | 803603000000 | Turntable | 1 | |

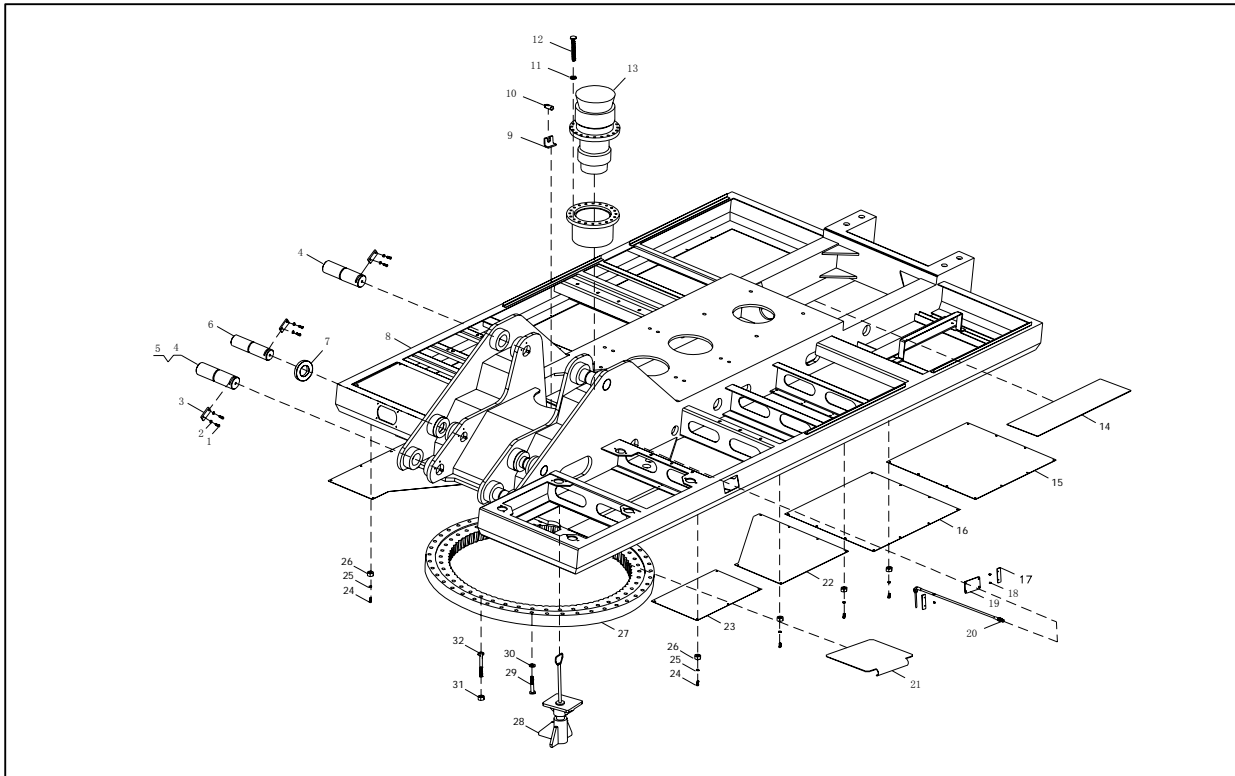


TRAVELING MECHANISM

| ITEM | PART NUMBER | PART NAME | SPECIFICATION | QTY | REMARK |
|------|--------------|-------------------------|---------------------|-----|--------|
| 1 | 701103024030 | Tap Bolt | M24X70-10.9 GB5782 | 40 | |
| 2 | 701508024002 | Lock Washer | 24 GB/T1230 | 80 | |
| 3 | 750301000022 | Speed Reducer | GFT80T3 | 2 | |
| 4 | 306060306002 | Sprocket | | 2 | |
| 5 | 701103024032 | Tap Bolt | M24X80-10.9 GB5782 | 40 | |
| 6 | 750101000011 | Track Assembly | KM1417/55/800 | 2 | |
| 7 | 701103020029 | Tap Bolt | M20X40-10.9 GB5782 | 4 | |
| 8 | 701508020001 | Lock Washer | 20 GB/T1230 | 4 | |
| 9 | 330040203002 | Pillow Block | | 4 | |
| 10 | 701501016003 | Lock Washer | 16 GB95 | 40 | |
| 11 | 701103016023 | Tap Bolt | M16X50-8.8 GB5782 | 40 | |
| 12 | 750103000002 | Carrier Roller Assembly | KM1817 | 4 | |
| 13 | 701307012003 | Tap Bolt | M12X30 GB77 | 4 | |
| 14 | 750105000009 | Guide Wheel Assembly | KM1713 | 2 | |
| 15 | 740258000001 | Grease Zerk | JY-00 | 2 | |
| 16 | 750106000016 | Tension Device | PC400-62 | 2 | |
| 17 | 302030306147 | Track Clamp Plate | | 4 | |
| 18 | 803601010000 | Track Clamp Frame | | 4 | |
| 19 | 701103010005 | Tap Bolt | M10X40 GB5782 | 32 | |
| 20 | 701510010001 | Lock Washer | 10 GB93 | 32 | |
| 21 | 750102000002 | Track Roller Assembly | KM1743 | 20 | |
| 22 | 701508022001 | Lock Washer | 22 GB/T1230 | 80 | |
| 23 | 701103022007 | Hexagon Cap Screw | M22X120-10.9 GB5782 | 80 | |

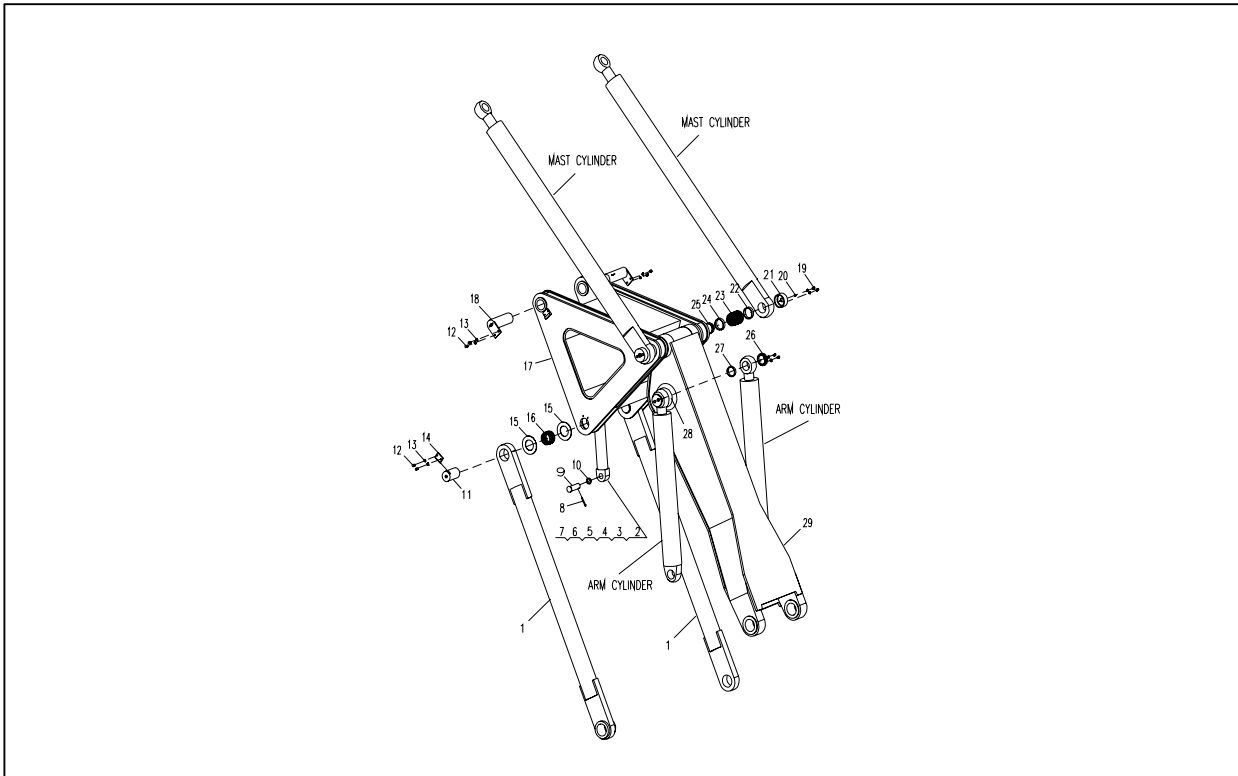
**UNDERCARRIAGE**

| ITEM | PART NUMBER | PART NAME | SPECIFICATION | QTY | REMARK |
|------|--------------|----------------------|--------------------|-----|--------|
| 1 | 803602010000 | Right Frame | | 1 | |
| 2 | 701104010004 | Tap Bolt | M10X25-8.8 GB5783 | 30 | |
| 3 | 701510010001 | Lock Washer | 10 GB93 | 30 | |
| 4 | 302030203081 | Cover Plate(1) | | 2 | |
| 5 | 701704060001 | Clevis Pin | 60X150 GB882 | 6 | |
| 6 | 701703010001 | Cotter Pin | 10X80 GB91 | 6 | |
| 7 | 307990504002 | Carrier Roller Block | | 2 | |
| 8 | 701103012023 | Tap Bolt | M12X45-8.8 GB5782 | 8 | |
| 9 | 701510012001 | Lock Washer | 12 GB93 | 8 | |
| 10 | 803602040000 | Right Cover | | 1 | |
| 11 | 803602080000 | Rotating Axle | | 4 | |
| 12 | 307020606001 | Positioning Rod | | 4 | |
| 13 | 803602030000 | Hitch Pin | | 4 | |
| 14 | 803602020000 | Middle Frame | | 1 | |
| 15 | 803602070000 | Left Cover | | 1 | |
| 16 | 803602050000 | Left Frame | | 1 | |
| 17 | 302030204129 | Cover Plate(2) | | 1 | |
| 18 | 803602060000 | Cylinder Support | | 1 | |
| 19 | 701103020022 | Tap Bolt | M20X50-10.9 GB5782 | 6 | |
| 20 | 701510020001 | Lock Washer | 20 GB93 | 6 | |
| 21 | 304020503032 | Clevis Pin | | 2 | |



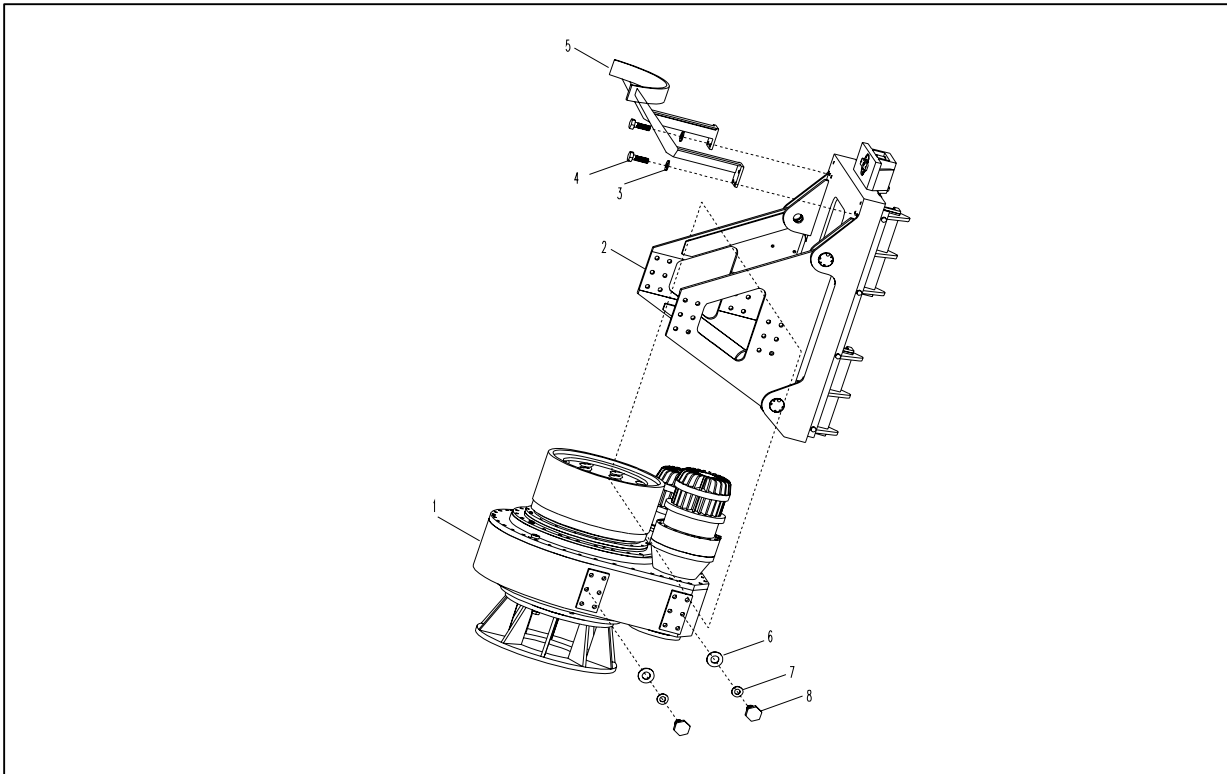
TURNTABLE

| ITEM | PART NUMBER | PART NAME | DESCRIPTION | QTY | REMARK |
|------|--------------|---------------------------------------|---------------------|-----|--------|
| 1 | 701302010004 | Tap Bolt | M10x25 GB70 | 12 | |
| 2 | 701510010001 | Lock Washer | 10 GB93 | 16 | |
| 3 | 302030202081 | Keeper Plate | | 6 | |
| 4 | 304080604008 | Shaft(1) | | 4 | |
| 5 | 703101010001 | Oil Cup | M10X1 GB1152 | 6 | |
| 6 | 304080604007 | Shaft(2) | | 2 | |
| 7 | 305060700003 | Donut | | 4 | |
| 8 | 803603010000 | Turntable Frame | | | |
| 9 | 302520202021 | Plate | | 1 | |
| 10 | 304080402004 | Bolt(for Central Rotating Connection) | | 1 | |
| 11 | 701507018002 | Lock Washer | 18 GB97 | 20 | |
| 12 | 701107018002 | Tap Bolt | M18x60-8.8 GB32.1 | 20 | |
| 13 | 750301000023 | Speed Reducer | GFB36T3 i=67.9 | 1 | |
| 14 | 302030007021 | Lower Cover Plate(8) | | 1 | |
| 15 | 302030006036 | Lower Cover Plate(7) | | 1 | |
| 16 | 302030007022 | Lower Cover Plate(6) | | 1 | |
| 17 | 302030000246 | Plate | | 2 | |
| 18 | 701315005001 | Screw | M5X10 GB68 | 4 | |
| 19 | 302030000310 | Grease Zerk Cover Plate | | 1 | |
| 20 | 803603050000 | Grease Zerk Kit | | 1 | |
| 21 | 803603040000 | Plate | | 1 | |
| 22 | 302030006037 | Lower Cover Plate(5) | | 1 | |
| 23 | 302030006038 | Lower Cover Plate(4) | | 1 | |
| 24 | 701103008017 | Tap Bolt | M8x25 GB5782 | 83 | |
| 25 | 701510008001 | Lock Washer | 8 GB93 | 83 | |
| 26 | 701417008001 | Nut | M8 GB6175 | 83 | |
| 27 | 750550000005 | Slewing Bearing | 014.45.1600 | 1 | |
| 28 | 803603030000 | Pin Assembly | | 1 | |
| 29 | 701103024023 | Hexagon Cap Screw | M24x190-12.9 GB5782 | 45 | |
| 30 | 701417024001 | Nut | M24-12 GB6175 | 45 | |
| 31 | 701508024002 | Lock Washer | 24 GB/T1230 | 90 | |
| 32 | 701103024022 | Hexagon Cap Screw | M24x140-12.9 GB5782 | 45 | |



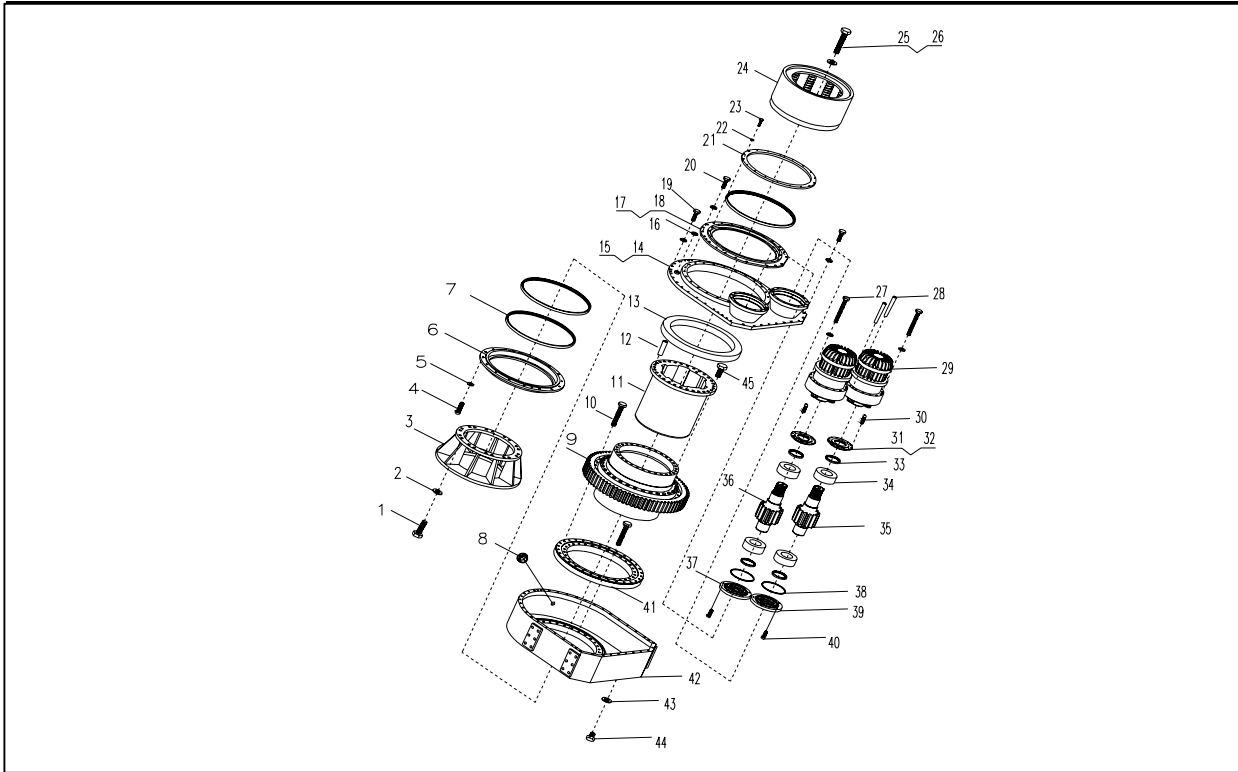
PARALLELOGRAM SYSTEM

| ITEM | PART NUMBER | PART NAME | SPECIFICATION | QTY | REMARK |
|------|--------------|----------------------|-------------------|-----|--------|
| 1 | 803604030000 | Link Rod | | 2 | |
| 2 | 803604040001 | Pull Rod | | 1 | |
| 3 | 305040000023 | Sleeve | | 1 | |
| 4 | 304020000023 | Shaft(2) | | 1 | |
| 5 | 701514068001 | Stop Washer | 68 GB893 | 1 | |
| 6 | 702301040001 | Bearing | GEG40ES GB9163 | 1 | |
| 7 | 703101006001 | Oil Cup | M6X1 GB1152 | 1 | |
| 8 | 701703010001 | Cotter Pin | 10x80 GB91 | 2 | |
| 9 | 304020000020 | Pin | | 1 | |
| 10 | 750502000068 | Bearing | JDB50X40X50 | 1 | |
| 11 | 304080603005 | Shaft(E) | | 2 | |
| 12 | 701103012015 | Tap Bolt | M12X25 GB5782 | 12 | |
| 13 | 701510012001 | Lock Washer | 12 GB93 | 16 | |
| 14 | 302030202072 | Keeper Plate(2) | | 2 | |
| 15 | 305070700020 | Adjustable Washer | | 4 | |
| 16 | 750502000017 | Bearing | JDB-1-100X120X80 | 2 | |
| 17 | 803604010000 | Triangle Frame | | 1 | |
| 18 | 803604050000 | Shaft(A) | | 2 | |
| 19 | 701103012021 | Tap Bolt | M12X30 GB5782 | 4 | |
| 20 | 703101010001 | Oil Cup | M10X1 GB1152 | 6 | |
| 21 | 305060601035 | Sleeve | | 2 | |
| 22 | 305070600012 | Snap Ring | | 2 | |
| 23 | 750502000016 | Bearing | JDB-1-100X120X140 | 6 | |
| 24 | 305060600019 | Sleeve | | 2 | |
| 25 | 304080607003 | Shaft(B) | | 1 | |
| 26 | 305030600010 | Cover | | 2 | |
| 27 | 305070600054 | Washer | | 2 | |
| 28 | 304080606002 | Shaf (C) | | 1 | |
| 29 | 803604020000 | Movable Arm Assembly | | 1 | |



XDLT20 ROTARY HEAD

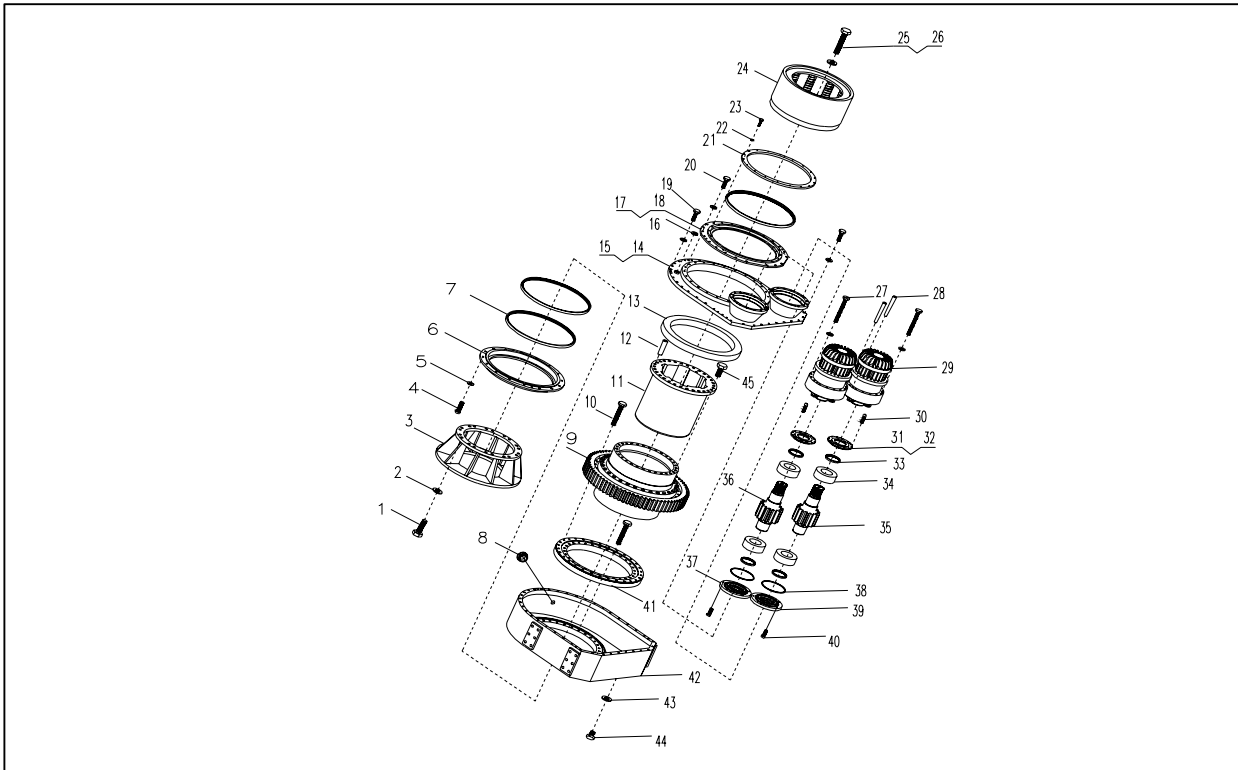
| ITEM | PART NUMBER | PART NAME | SPECIFICATION | QTY | REMARK |
|------|--------------|--------------------|-------------------|-----|--------|
| 1 | 80900100000 | Rotator | | 1 | |
| 2 | 80900200000 | Slide Frame | | 1 | |
| 3 | 701103016006 | Hexagon Cap Screw | M16X45 GB5782 | 6 | |
| 4 | 701510016001 | Lock Washer | 16 GB93 | 6 | |
| 5 | 80900300000 | Protection Bracket | | 1 | |
| 6 | 701501024001 | Flat Washer | 24 GB95 | 24 | |
| 7 | 701510024001 | Flat Washer | 24 GB93 | 24 | |
| 8 | 701103024010 | Hexagon Cap Screw | M24X60-8.8 GB5782 | 24 | |



ROTATOR

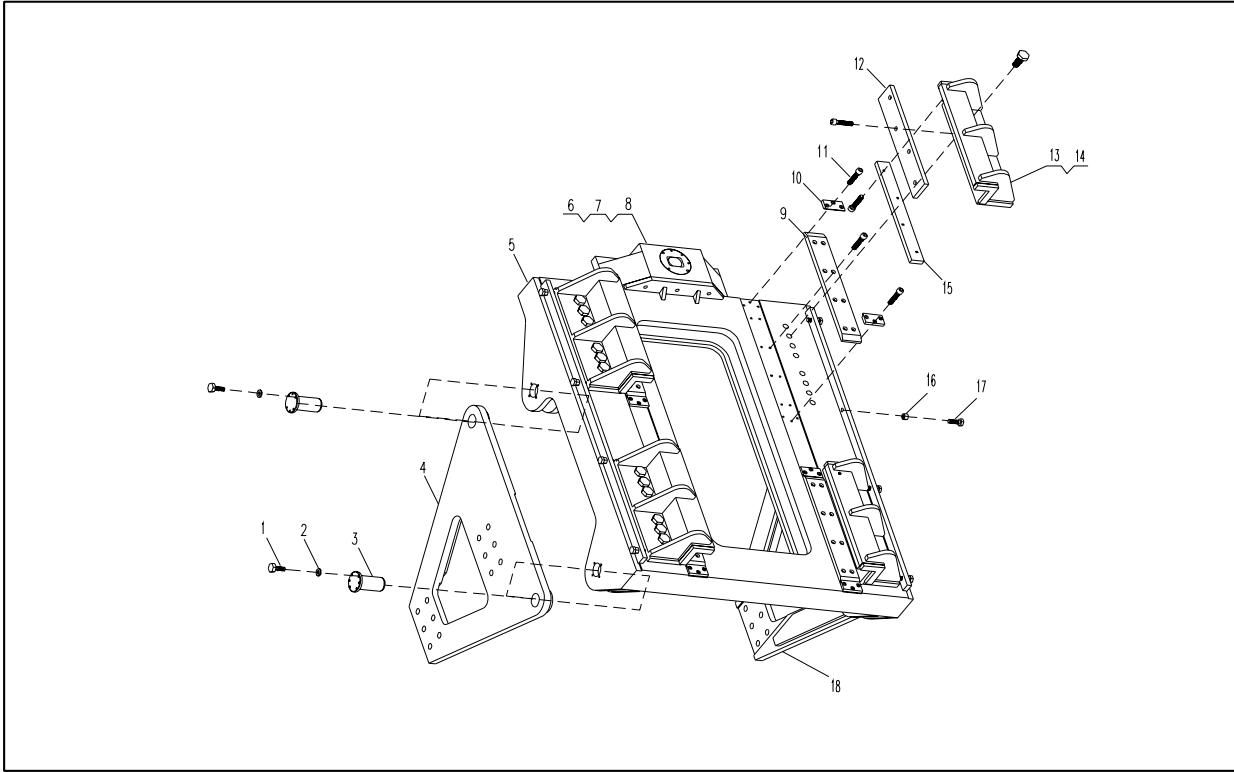
| ITEM | PART NUMBER | PART NAME | SPECIFICATION | QTY | REMARK |
|------|--------------|-----------------------------|--------------------|-----|--------|
| 1 | 701101024001 | Tap Bolt | M24X75-4.8 GB5780 | 20 | |
| 2 | 701510024001 | Lock Washer | 24 GB93 | 40 | |
| 3 | 809001010000 | Drive Clutch Rotor Assembly | | 1 | |
| 4 | 701101016013 | Tap Bolt | M16X55 GB5780 | 16 | |
| 5 | 701510016001 | Lock Washer | 16 GB93 | 68 | |
| 6 | 305071001007 | Lower Flange | | 1 | |
| 7 | 730653000005 | Oil Seal | AB6330-E5 | 3 | |
| 8 | 703401032001 | Oil Indicator | B32 JB/T7941.2 | 1 | |
| 9 | 809001020000 | Gear Assembly | | 1 | |
| 10 | 701103020004 | Tap Bolt | M20X120-8.8 GB5782 | 60 | |
| 11 | 305061005001 | Driving Sleeve | | 1 | |
| 12 | 701707025001 | Pin | 25×95 GB118 | 3 | |
| 13 | 750552000009 | Bearing | LYC 618/670 | 1 | |
| 14 | 809001040100 | Case Cover | | 1 | |
| 15 | 302490007005 | Adjustable Washer | | 1 | |
| 16 | 730402000024 | Air Filter | PAF1-35-45-40L | 1 | |
| 17 | 305071000022 | Upper Flange | | 1 | |
| 18 | 302010006001 | Adjustable Washer | | 1 | |
| 19 | 701103016030 | Tap Bolt | M16X65-12.9 GB5782 | 38 | |
| 20 | 701103016032 | Tap Bolt | M16X50-10.9 GB5782 | 22 | |
| 21 | 305021000018 | Upper Case Cover | | 1 | |
| 22 | 701510008001 | Lock Washer | 8 GB93 | 18 | |
| 23 | 701101008005 | Tap Bolt | M8X35 GB5780 | 18 | |
| 24 | 809001030000 | Buffering Assembly | | 1 | |
| 25 | 701107024001 | Tap Bolt | M24X125 GB32.1 | 20 | |
| 26 | 301020003003 | Tightening wire | | 10 | |
| 27 | 701108016001 | Tap Bolt | M16X140-8.8 GB5787 | 30 | |
| 28 | 701706016001 | Pin | 16X145 GB120 | 6 | |
| 29 | 750301000024 | Speed Reducer | PS065+EM/250/EF | 2 | |
| 30 | 701302010008 | Socket Head Cap Screw | 8 M10X40 GB70 | 19 | |
| 31 | 305020800042 | Gear Box Upper Cover | | 2 | |
| 32 | 302010004006 | Adjustable Washer | | 2 | |
| 33 | 730653000004 | Oil Seal | AC4346-F0 | 3 | |

| | | | | |
|----|--------------|---------------------------|-----------|---|
| 34 | 750552000008 | Spherical Roller Bearing | 2322EAS.M | 4 |
| 35 | 304030805001 | Gear Shaft(1) | | 1 |
| 36 | 304030805002 | Gear shaft(2) | | 1 |
| 37 | 305020801001 | Gear Shaft Lower Cover(1) | | 1 |



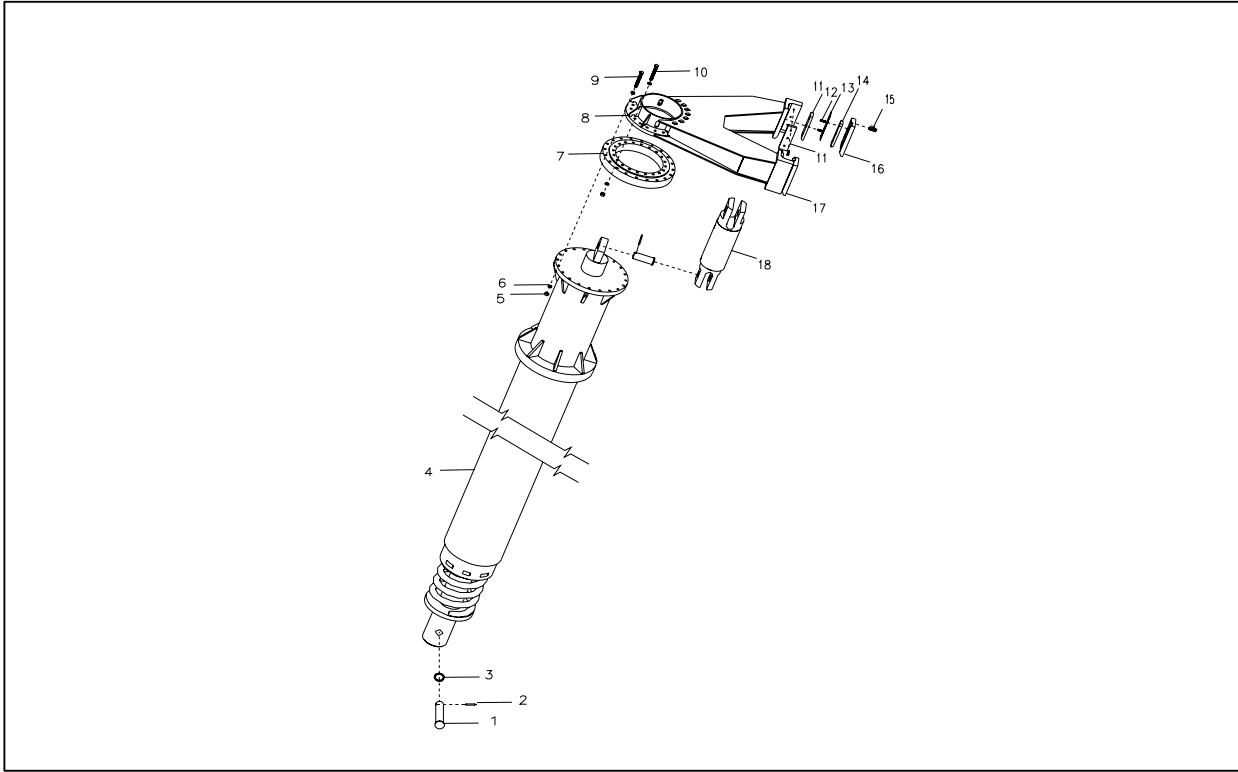
ROTATOR

| ITEM | PART NUMBER | PART NAME | SPECIFICATION | QTY | REMARK |
|------|--------------|---------------------------|-------------------------|-----|--------|
| 38 | 703201236001 | O-Ring | O-Ring 236×5.3 GB3452.1 | 2 | |
| 39 | 305030801002 | Gear Shaft Lower Cover(2) | | 1 | |
| 40 | 701302012006 | Hexagon Cap Screw | M12X35 GB70 | 20 | |
| 41 | 750550000014 | Rotating Support | 010.30.800.130.04.11F1 | 1 | |
| 42 | 809001040200 | Power House | | 1 | |
| 43 | 703202022001 | Lock Washer | 22 JB982 | 2 | |
| 44 | 703203022001 | Screw Plug | M22X1.5 JB1000 | 2 | |
| 45 | 701103024025 | Hexagon Cap Screw | M24X75-10.9GB5782 | 7 | |



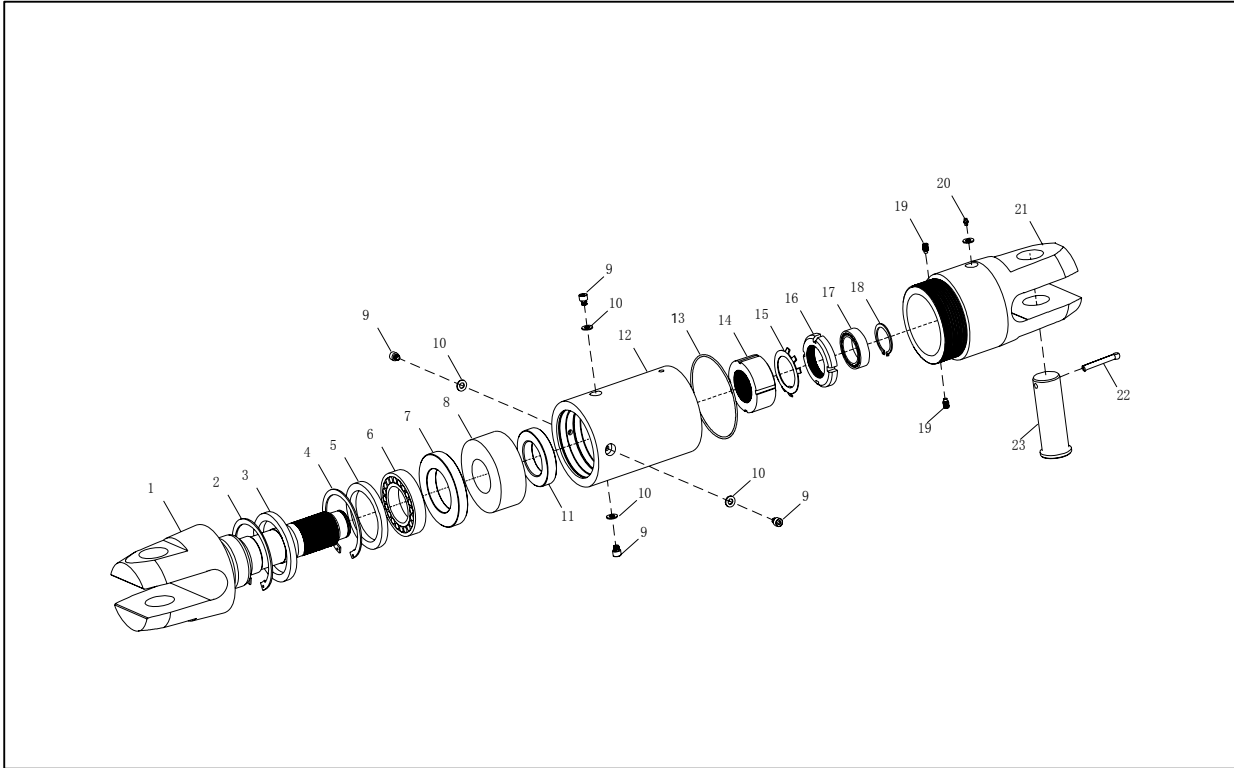
SLIDING FRAME

| ITEM | PART NUMBER | PART NAME | SPECIFICATION | QTY | REMARK |
|------|--------------|----------------------------------|------------------|-----|--------|
| 1 | 701101008003 | Tap Bolt | M8X25-4.8 GB5780 | 16 | |
| 2 | 701510008001 | Lock Washer | 8-ZnD GB93 | 20 | |
| 3 | 304020502013 | Roll Pin | | 4 | |
| 4 | 809002050000 | Right Frame | | 1 | |
| 5 | 809002030000 | Sliding Frame | | 1 | |
| 6 | 302020302008 | Gusset | | 2 | |
| 7 | 809002020000 | Moving Connector | | 1 | |
| 8 | 302490305056 | Plate | | 1 | |
| 9 | 302030305131 | Wear-resisting Plate(A) | | 4 | |
| 10 | 302030202111 | Plate | | 8 | |
| 11 | 701310008009 | Socket Head Cap Screw | M8X40 GB819 | 48 | |
| 12 | 302030305132 | Wear-resisting Plate(B) | | 4 | |
| 13 | 809002010000 | Sliding Bracket Assembly | | 4 | |
| 14 | 302030004024 | Sliding Bracket Adjustable Plate | | 16 | |
| 15 | 302030305133 | Wear-resisting Plate (C) | | 4 | |
| 16 | 701401016002 | Nut | M16 GB41 | 8 | |
| 17 | 701101016014 | Hexagon Cap Screw | M16X50 GB5780 | 8 | |
| 18 | 809002040000 | Left Frame | | 1 | |



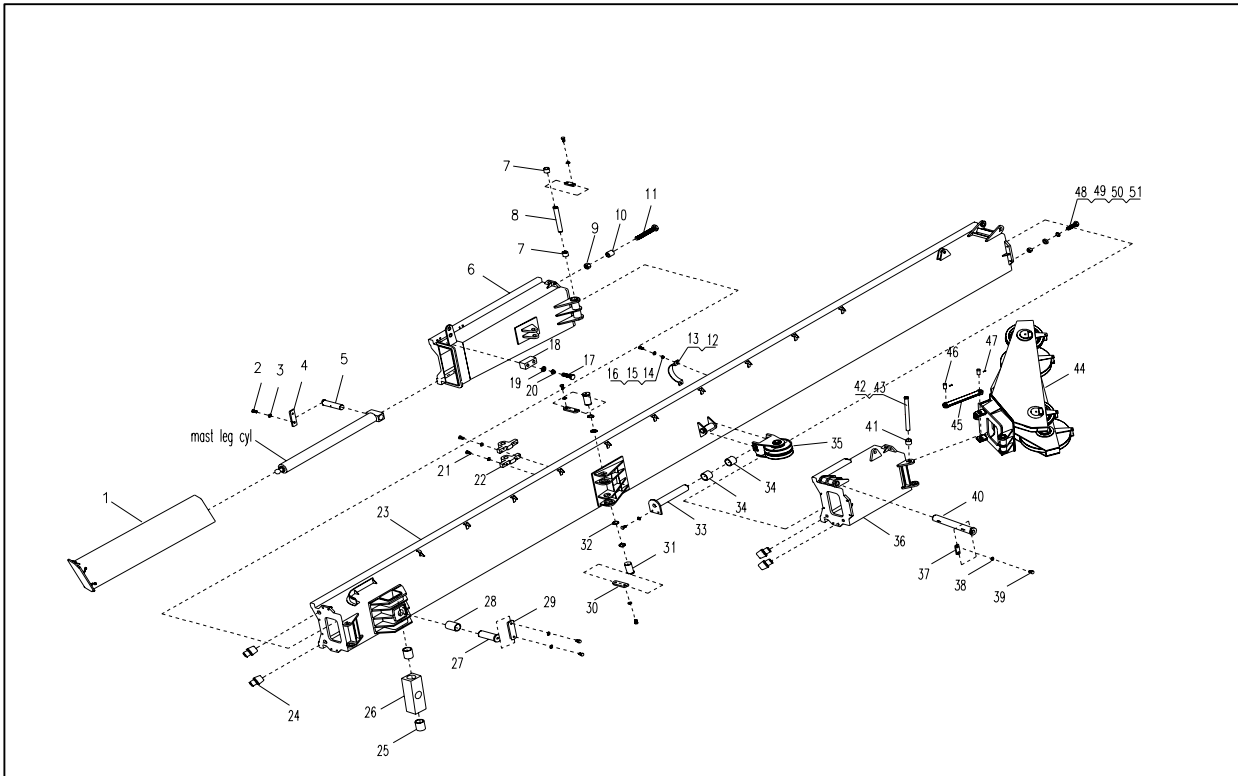
KELLY BAR

| ITEM | PART NUMBER | PART NAME | SPECIFICATION | QTY | REMARK |
|------|--------------|-------------------------|---------------------|-----|--------|
| 1 | 304020504016 | Pin | | 1 | |
| 2 | 701703010002 | Cotter Pin | 10X100 GB91 | 1 | |
| 3 | 305070500043 | Stop Washer | | 1 | |
| 4 | 750609000014 | Friction Kelly Bar | 5X13.4meters | 1 | |
| 4 | 750609000015 | Inter Locking Kelly Bar | 5X13.4meters | 1 | |
| 5 | 701412016001 | Nut | M16 GB1229 | 40 | |
| 6 | 701508016001 | Lock Washer | 16 GB1230 | 80 | |
| 7 | 750550000006 | Bearing Frame | 010.30.500 | 1 | |
| 8 | 803605010000 | A Frame | | 1 | |
| 9 | 701171016008 | Tap Bolt | M16X140-10.9 GB1228 | 20 | |
| 10 | 701171016007 | Tap Bolt | M16X130-10.9 GB1228 | 20 | |
| 11 | 307010303007 | Sliding Block | | 4 | |
| 12 | 701320010001 | Tap Bolt | M10X30 GB2673 | 18 | |
| 13 | 302030004019 | Washer | | 16 | |
| 14 | 307010303006 | Sliding Block | | 2 | |
| 15 | 701302020048 | Tap Bolt | M20X45-10.9 GB70 | 8 | |
| 16 | 307010404006 | Plate | | 1 | |
| 17 | 307010404005 | Plate | | 1 | |
| 18 | 803605020001 | Swivel | | 1 | |



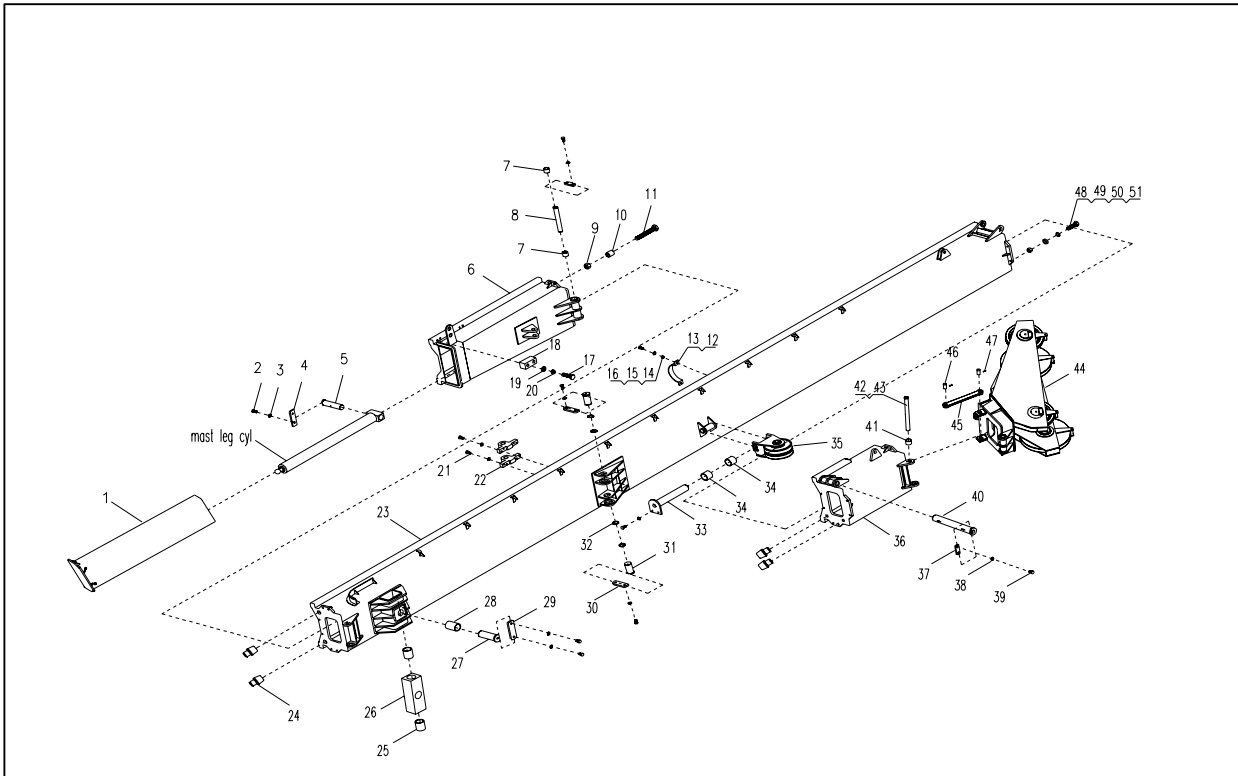
SWIVEL

| ITEM | PART NUMBER | PART NAME | SPECIFICATION | QTY | REMARK |
|------|--------------|----------------------------|-------------------|-----|--------|
| 1 | 304030705002 | Upper Connector | | 1 | |
| 2 | 701514140004 | Retaining Ring | 140 GB893 | 1 | |
| 3 | 730653000010 | Oil Seal | 110X140X14 | 1 | |
| 4 | 701514135001 | Retaining Ring | 135 GB893 | 1 | |
| 5 | 730653000011 | Oil Seal | 105X135X14 | 1 | |
| 6 | 702006075001 | Bearing | 6215 GB/T276 | 1 | |
| 7 | 305060700002 | Steel Ring | | 1 | |
| 8 | 750552000007 | Thrust Ball Bearing | 51414FP | 1 | |
| 9 | 701302010001 | Tap Bolt | M10x10 GB70 | 4 | |
| 10 | 703207010001 | Rubber Oil Seal | 10 HG4-330-66 | 6 | |
| 11 | 305060600034 | Cover | | 1 | |
| 12 | 305060703009 | Case | | 1 | |
| 13 | 703201165002 | O-ring | 165X3.55 GB3452.1 | 1 | |
| 14 | 304100501011 | Nut | | 1 | |
| 15 | 701516068001 | External Tooth Lock Washer | 68 GB858 | 1 | |
| 16 | 304100500007 | Nut | | 1 | |
| 17 | 702006055001 | Bearing | 6211 GB/T276 | 1 | |
| 18 | 701512055001 | Retaining Ring | 55 GB894.1 | 1 | |
| 19 | 701318010001 | Socket Set Screw | M10x18 GB79 | 2 | |
| 20 | 703101010001 | Oil Cup | M10x1 GB1152 | 1 | |
| 21 | 304030704002 | Lower Connector | | 1 | |
| 22 | 701703010001 | Cotter Pin | 10x80 GB91 | 1 | |
| 23 | 304020503068 | Pin | | 1 | |



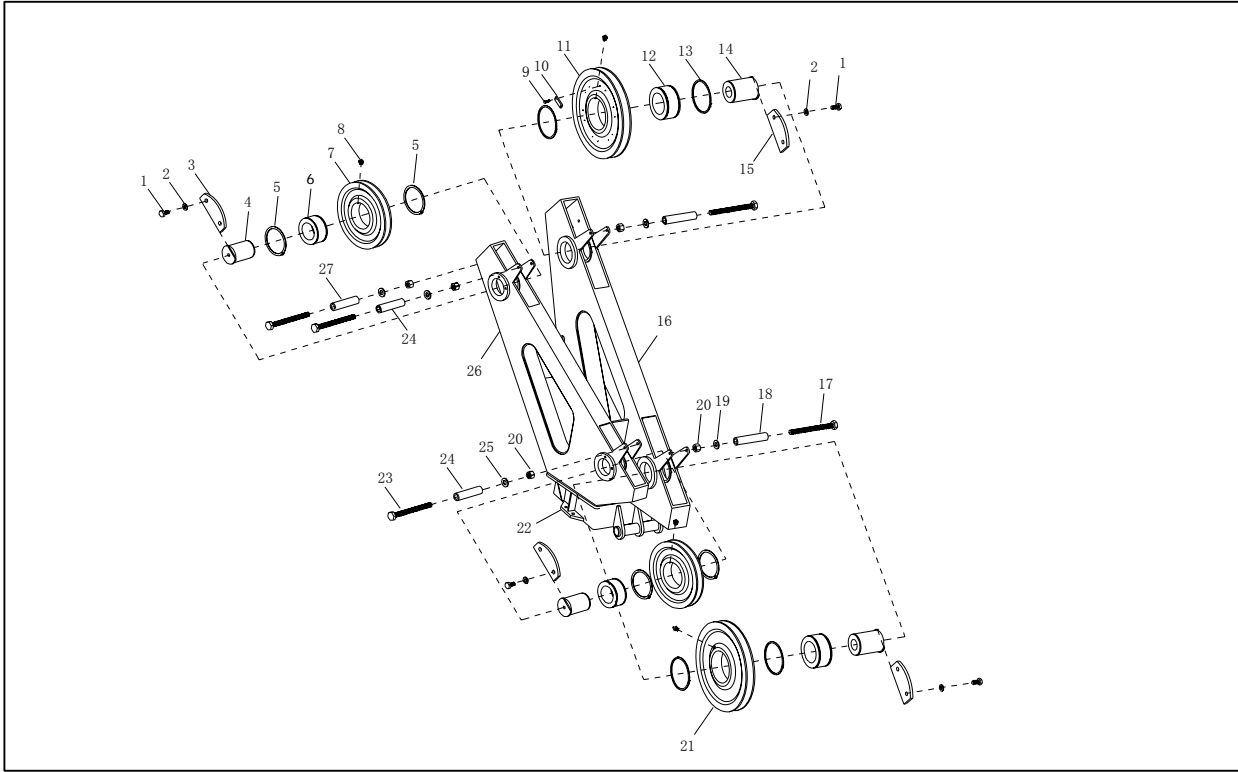
MAST

| ITEM | PART NUMBER | PART NAME | SPECIFICATION | QTY | REMARK |
|------|--------------|-------------------------|-------------------|-----|--------|
| 1 | 803606010000 | Supporting Leg Assembly | | 1 | |
| 2 | 701102012001 | Tap Bolt | M12x25 GB5781 | 10 | |
| 3 | 701510012001 | Lock Washer | 12 GB93 | 10 | |
| 4 | 302030202100 | Keeper Plate | | 1 | |
| 5 | 304020504019 | Pin | | 1 | |
| 6 | 803606020000 | Mast(1) | | 1 | |
| 7 | 750552000003 | Bearing | JDB-1-60x74x60 | 2 | |
| 8 | 304020505011 | Pin | | 1 | |
| 9 | 701406024002 | Nut | M24 GB6170 | 6 | |
| 10 | 305060400023 | Sleeve | | 6 | |
| 11 | 701103024024 | Tap Bolt | M24x180 GB5782 | 6 | |
| 12 | 302990204010 | Pipe Clamp | | 1 | |
| 13 | 302030305112 | Rubber Cushion | | 1 | |
| 14 | 701102016005 | Tap Bolt | M16x40 GB5781 | 2 | |
| 15 | 701501016002 | Lock Washer | 16 GB95 | 2 | |
| 16 | 701510016001 | Lock Washer | 16 GB93 | 6 | |
| 17 | 701103020013 | Tap Bolt | M20x80 GB5782 | 12 | |
| 18 | 307010502003 | Keeper Plate | | 2 | |
| 19 | 701510020001 | Lock Washer | 20 GB93 | 16 | |
| 20 | 701501020001 | Lock Washer | 20 GB95 | 16 | |
| 21 | 701103020013 | Tap Bolt | M20x80 GB5782 | 12 | |
| 22 | 302490504007 | Ear Plate | | 2 | |
| 23 | 803606030000 | Mast(2) | | 1 | |
| 24 | 304020402008 | Pin | | 6 | |
| 25 | 750502000016 | Bushing | JDB-1-100X120X140 | 2 | |
| 26 | 307990705002 | Square Shaft | | 1 | |
| 27 | 304020604003 | Pin | | 1 | |
| 28 | 750552000004 | Bearing | JDB-1-100x120x170 | 1 | |
| 29 | 302030203116 | Keeper Plate | | 1 | |
| 30 | 302030202100 | Keeper Plate | | 2 | |
| 31 | 304020603005 | Pin | | 2 | |
| 32 | 305060600032 | Sleeve | | 4 | |
| 33 | 803606130000 | Pin | | 1 | |
| 34 | 750552000005 | Bearing | JDB-1-50x60x50 | 6 | |
| 35 | 803606100000 | Pulley | | 1 | |
| 36 | 803606140000 | Mast(3) | | 1 | |
| 37 | 302030201068 | Keeper Plate | | 3 | |



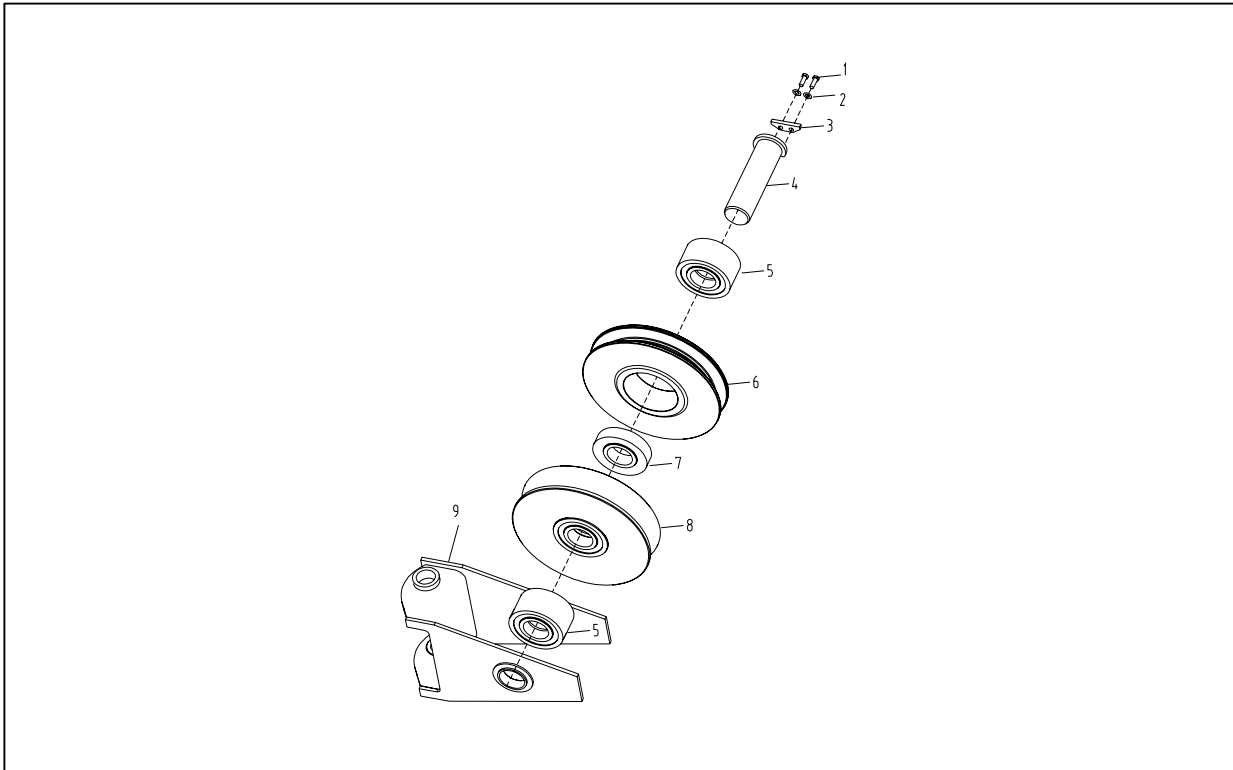
MAST

| ITEM | PART NUMBER | PART NAME | SPECIFICATION | QTY | REMARK |
|------|--------------|-------------|----------------|-----|--------|
| 38 | 701510008001 | Lock Washer | 8 GB93 | 6 | |
| 39 | 701102008002 | Tap Bolt | M8x25 GB5781 | 6 | |
| 40 | 304020504023 | Pin | | 1 | |
| 41 | 750552000005 | Bearing | JDB-1-50x60x50 | 6 | |
| 42 | 304020505010 | Pin | | 1 | |
| 43 | 703101010001 | Grease Zerk | M10x1 GB1152 | 9 | |
| 44 | 803606040000 | Cathead | | 1 | |
| 45 | 304090505002 | Link Rod | | 1 | |
| 46 | 304020402007 | Pin | | 2 | |
| 47 | 701703008003 | Cotter Pin | 8x100 GB91 | 2 | |
| 48 | 701103020020 | Tap Bolt | M20x90 GB5782 | 12 | |
| 49 | 701501020001 | Lock Washer | 20 GB95 | 16 | |
| 50 | 701510020001 | Lock Washer | 20 GB93 | 16 | |
| 51 | 701406020002 | Nut | M20 GB6170 | 12 | |



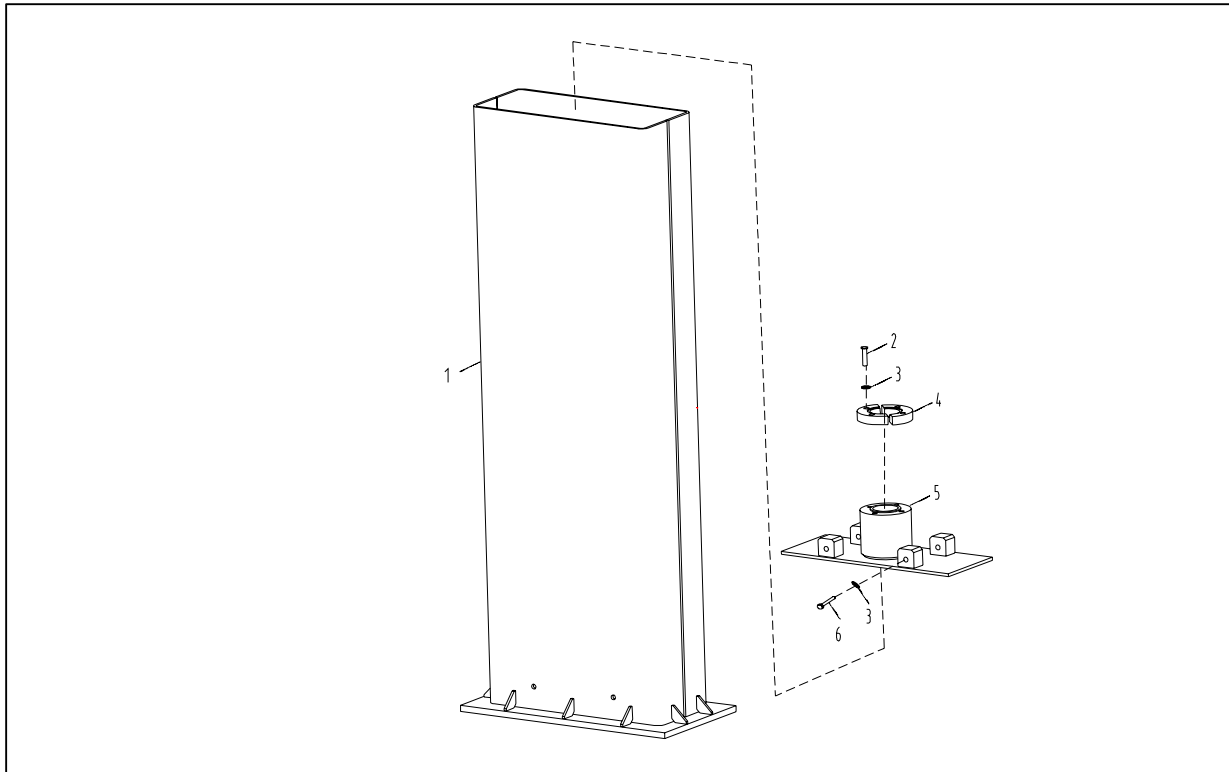
CAT HEAD

| ITEM | PART NUMBER | PART NAME | SPECIFICATION | QTY | REMARK |
|------|--------------|------------------------|---------------------|-----|--------|
| 1 | 701103012015 | Tap Bolt | M12X25-8.8 GB5782 | 4 | |
| 2 | 701501012001 | Flat Washer | 12-H59 GB95 | 4 | |
| 3 | 302490203078 | Keeper Plate | | 2 | |
| 4 | 304080603007 | Auxiliary Sheave Shaft | | 2 | |
| 5 | 701512200001 | Stop Washer | 200 GB894.1 | 4 | |
| 6 | 750552000002 | Roller Bearing | NNF5026C.2LS.V | 2 | |
| 7 | 306990705001 | Auxiliary Sheave | | 2 | |
| 8 | 703101010001 | Grease Zerk | M10X1(steel) GB1152 | 4 | |
| 9 | 701315008001 | Tap Bolt | M8X20-8.8 GB68 | 12 | |
| 10 | 302030202094 | Drill Depth Sensor | | 6 | |
| 11 | 306990805001 | Front Main Sheave | | 1 | |
| 12 | 750552000001 | Roller Bearing | NNF5032B.2LS.V | 2 | |
| 13 | 305070800026 | Stop Washer | | 240 | |
| 14 | 304080703003 | Main Sheave Shaft | | 1 | |
| 15 | 302490203079 | Keeper Plate | | 2 | |
| 16 | 803606040110 | Main Sheave Frame | | 1 | |
| 17 | 701103016019 | Tap Bolt | M16X180-8.8 GB5782 | 2 | |
| 18 | 305060402003 | Sleeve | | 2 | |
| 19 | 701501016002 | Flat Washer | 16-H59 GB95 | 2 | |
| 20 | 701406016002 | Nut | M16-8H-10 GB6170 | 5 | |
| 21 | 306990805002 | Rear Main Sheave | | 1 | |
| 22 | 803606040300 | Base | | 1 | |
| 23 | 701103016018 | Tap Bolt | M16X160-8.8 GB5782 | 3 | |
| 24 | 305060402002 | Sleeve | | 2 | |
| 25 | 701501016003 | Lock Washer | 16 GB95 | 3 | |
| 26 | 803606040210 | Auxiliary Sheave Frame | | 1 | |
| 27 | 305060000018 | Sleeve | | 1 | |



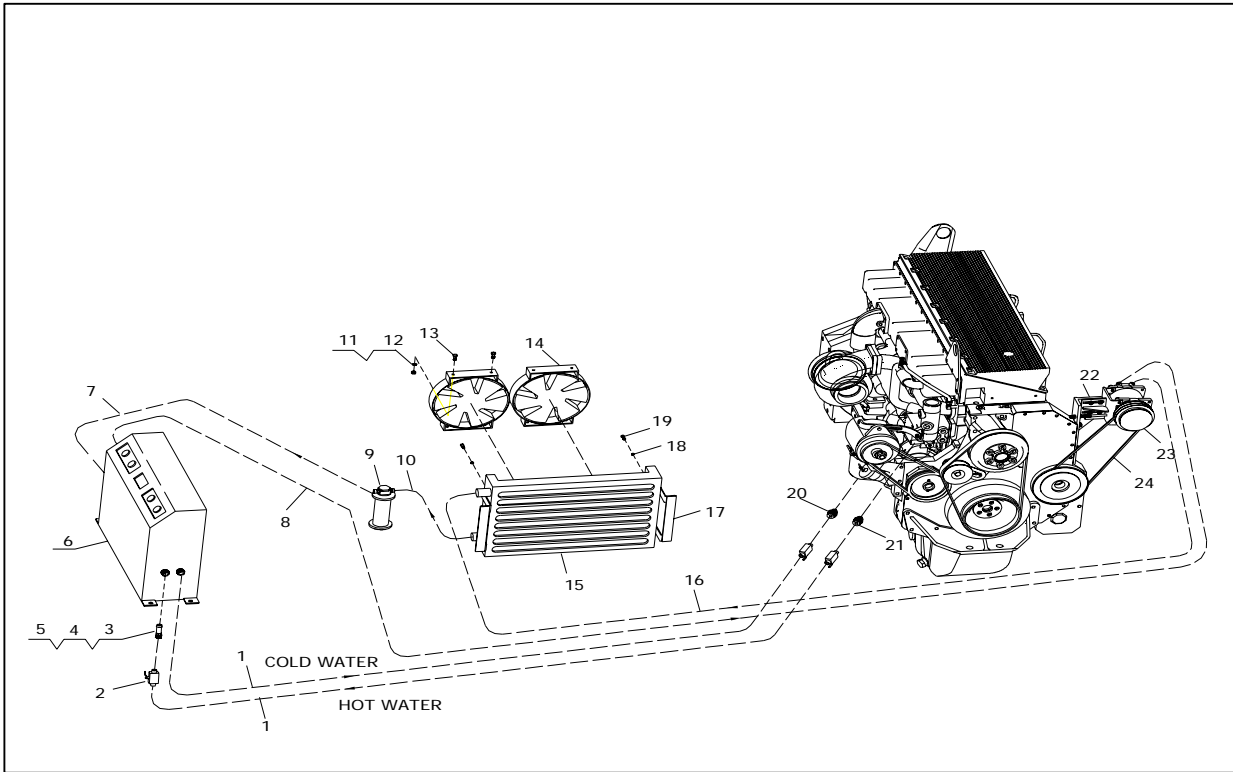
SHEAVE

| ITEM | PART NUMBER | PART NAME | SPECIFICATION | QTY | REMARK |
|------|--------------|------------------|------------------|-----|--------|
| 1 | 701102010005 | Tap Bolt | M10x30 GB5781 | 4 | |
| 2 | 701510010001 | Flat Washer | 10 GB93 | 4 | |
| 3 | 305070600057 | Keeper Plate | | 1 | |
| 4 | 304020504018 | Pin | | 1 | |
| 5 | 702006070001 | Bearing | 6314-2RS GB/T276 | 4 | |
| 6 | 306990704002 | Main Sheave | | 1 | |
| 7 | 305060600029 | Sleeve | | 1 | |
| 8 | 306990704001 | Auxiliary Sheave | | 1 | |
| 9 | 803606100100 | Sheave Frame | | 1 | |



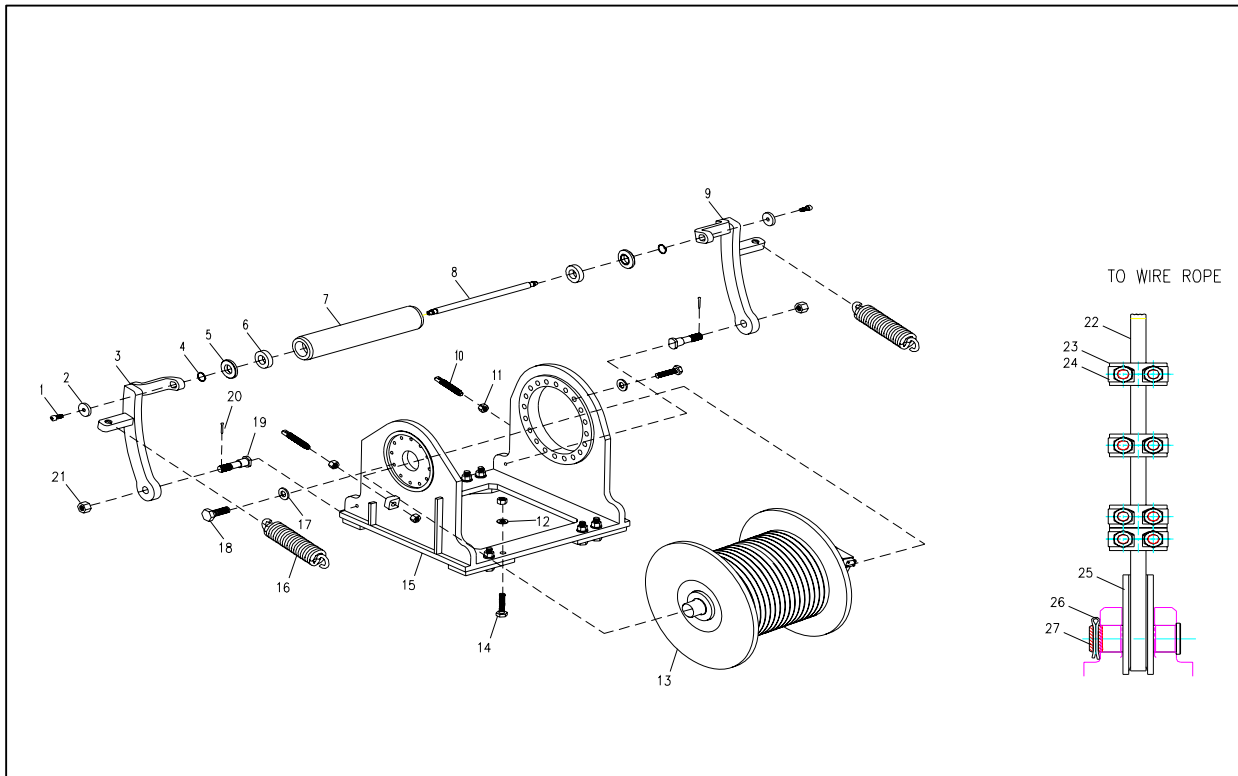
MAST FOOT ASSEMBLY

| ITEM | PART NUMBER | PART NAME | SPECIFICATION | QTY | REMARK |
|------|--------------|----------------|---------------|-----|--------|
| 1 | 803606010100 | Supporting Leg | | 1 | |
| 2 | 701103016023 | Tap Bolt | M16X50 GB5782 | 4 | |
| 3 | 701510016001 | Lock Washer | 16 GB93 | 8 | |
| 4 | 305030700018 | Upper Cover | | 1 | |
| 5 | 803606010200 | Leg Base | | 1 | |
| 6 | 701302016010 | Tap Bolt | M16X50 GB70 | 4 | |



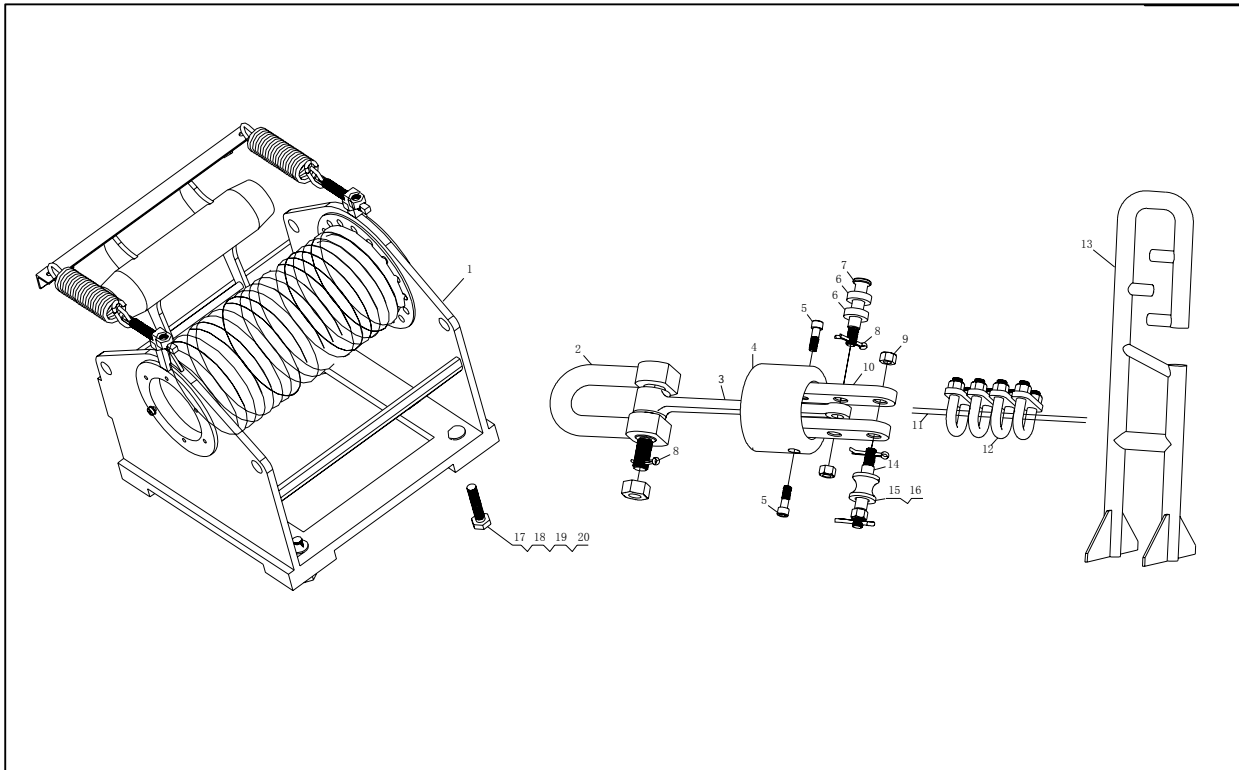
A/C SYSTEM

| ITEM | PART NUMBER | PART NAME | SPECIFICATION | QTY | REMARK |
|------|--------------|-----------------------|-------------------|-----|--------|
| 1 | 320020310001 | Water Hose | Φ16/L=6000 | 2 | |
| 2 | 751006000032 | Ball Valve | φ10 Q11F-16T | 3 | |
| 3 | 308010203044 | Rubber Hose Connector | | 1 | |
| 4 | 308010203043 | Valve Connector | | 1 | |
| 5 | 701901025001 | Hose Clamp | φ16-25 JB/T8870 | 4 | |
| 6 | 720408000018 | Evaporator | GQT14A-010 | 1 | |
| 7 | 730503000085 | High Pressure Hose | GQT46B-012/L=4900 | 1 | |
| 8 | 730503000087 | Low Pressure Hose | GQT46B-013/L=6000 | 1 | |
| 9 | 720408000017 | Liquid Storage | 6DT10-403 | 1 | |
| 10 | 730503000086 | High Pressure Hose | GQT46B-011/L=600 | 1 | |
| 11 | 701406008001 | Nut | M8 GB6170 | 8 | |
| 12 | 701510008001 | Lock Washer | 8 GB93 | 8 | |
| 13 | 701104008006 | Tap Bolt | M8X25 GB5783 | 8 | |
| 14 | 720408000016 | Condensation Motor | 6DT10-300 | 2 | |
| 15 | 720408000015 | Condenser | GQL-2F | 1 | |
| 16 | 730503000048 | High Pressure Hose | GQT46B-010/L=4700 | 1 | |
| 17 | 803607010000 | Condenser Rack | | 1 | |
| 18 | 701510006001 | Lock Washer | 6 GB93 | 4 | |
| 19 | 701104006005 | Tap Bolt | M6X25 GB5783 | 4 | |
| 20 | 308010203046 | Cold Water Union | | 1 | |
| 21 | 308010203045 | Hot Water Union | | 1 | |
| 22 | 803607020000 | Compressor Rack | | 1 | |
| 23 | 720408000019 | Compressor Rack | 6DT10-102 | 1 | |
| 24 | 750004000068 | Compressor Belt | 17-520 | 1 | |



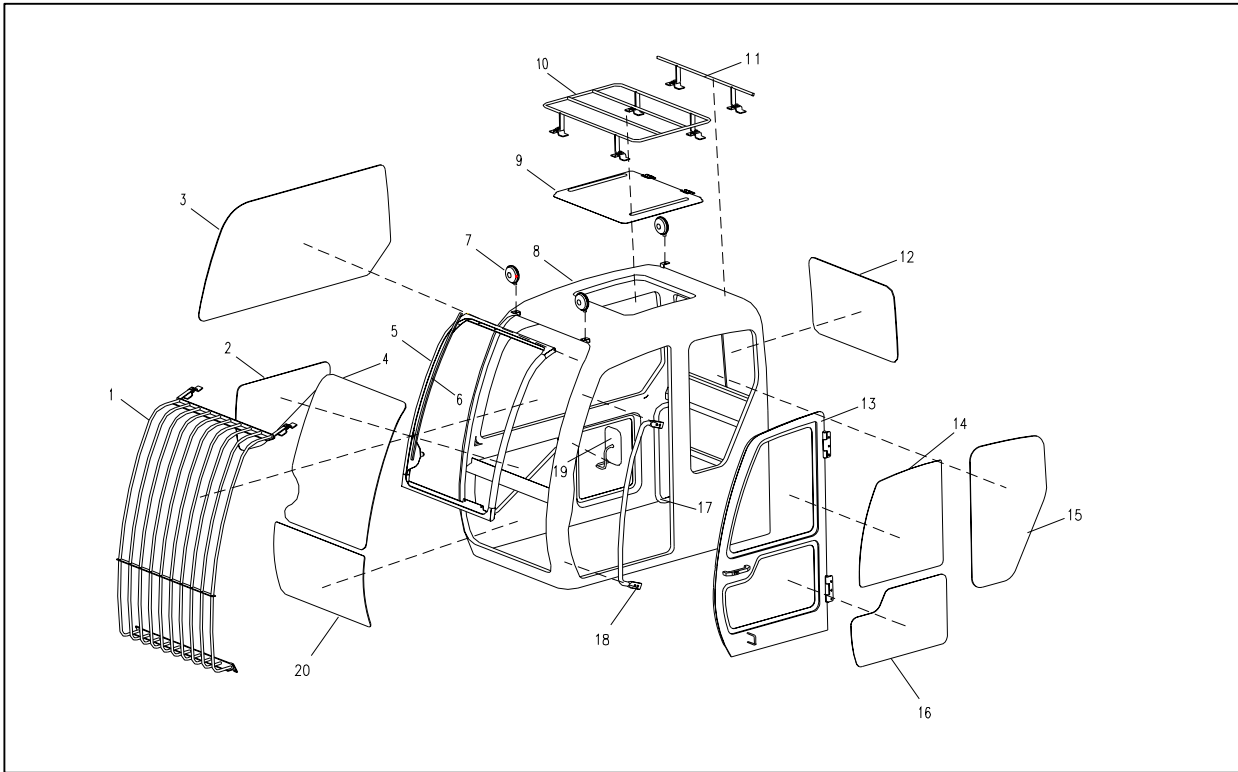
MAIN WINCH

| ITEM | PART NUMBER | PART NAME | SPECIFICATION | QTY | REMARK |
|------|--------------|----------------------------------|------------------------------|-----|--------|
| 1 | 701302080006 | Socket Head Cap Screw | M8X20-8.8 GB70 | 2 | |
| 2 | 305070400019 | Flat Washer | | 2 | |
| 3 | 803614020100 | Left Bracket | | 1 | |
| 4 | 701512025001 | Lock Washer | 25 GB894.1 | 2 | |
| 5 | 305060500015 | End Cover | | 2 | |
| 6 | 702007025001 | Bearing | 180105-2RS GB279 | 2 | |
| 7 | 306990502004 | Wire Rope Guide Roller | | 1 | |
| 8 | 304030405002 | Shaft | | 1 | |
| 9 | 803614020200 | Right Bracket | | 1 | |
| 10 | 304080303004 | Adjustable Shaft | | 2 | |
| 11 | 701406024002 | Nut | M24-10 GB6170 | 10 | |
| 12 | 701501024001 | Flat Washer | 24 GB95 | 28 | |
| 13 | 750301000025 | Spool and Speed Reducer Assembly | | 1 | |
| 14 | 701103024026 | Tap Bolt | M24X110-10.9 GB5782 | 28 | |
| 15 | 803614010000 | Main Winch Frame | | 1 | |
| 16 | 301030403001 | Tension Spring | | 2 | |
| 17 | 701501016003 | Flat Washer | 16 GB95 | 14 | |
| 18 | 701103016032 | Tap Bolt | M16X50-10.9 GB5782 | 12 | |
| 19 | 304020301006 | Pin | | 2 | |
| 20 | 701703003202 | Cotter Pin | 3.2X25 GB91 | 2 | |
| 21 | 701406016002 | Nut | M16-10 GB6170 | 2 | |
| 22 | 704105028001 | Wire Rope Guide Roller | 28NAT18X19S+IWS1870ZS GB8918 | 1 | |
| 23 | 704103028001 | Wire Rope Clamp | 28-18KTH GB5976 | 4 | |
| 24 | 302030001019 | Keeper Plate | | 8 | |
| 25 | 307990503006 | Ring | | 1 | |
| 26 | 701703010001 | Cotter Pin | 10X80 GB91 | 1 | |
| 27 | 304020503049 | Pin | | 1 | |



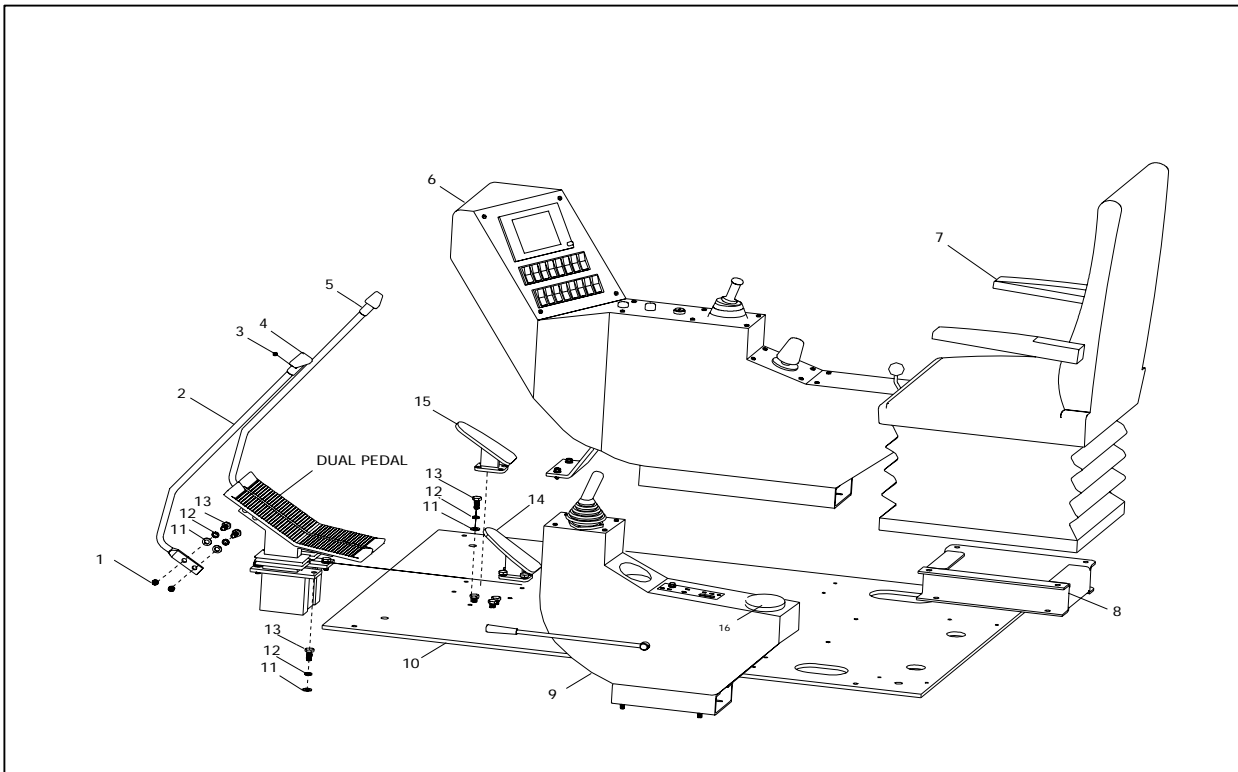
AUXILIARY WINCH

| ITEM | PART NUMBER | PART NAME | SPECIFICATION | QTY | REMARK |
|------|--------------|-----------------------|----------------------------|-----|--------|
| 1 | 73025000024 | Aux. Winch Assembly | HCJ35-80-85-24-29 | 1 | |
| 2 | 704104009501 | Shackle | 9.5T GB10603 | 1 | |
| 3 | 304090504001 | Linkage Rod | | 1 | |
| 4 | 305060703004 | Counterweight | | 1 | |
| 5 | 701302012009 | Socket Head Cap Screw | M12X40-8.8 GB70 | 2 | |
| 6 | 305060400021 | Sleeve | | 2 | |
| 7 | 304020302001 | Pin | | 1 | |
| 8 | 701703006302 | Cotter Pin | 6.3X50 GB91 | 4 | |
| 9 | 701406024002 | Nut | M24-10-8H GB6170 | 3 | |
| 10 | 302490303054 | Plate | | 2 | |
| 11 | 704105020001 | Wire Rope | 20NAT6X19+IWS1870ZZ GB8918 | 1m | |
| 12 | 704103020001 | Clip | 20KTH GB5976 | 4 | |
| 13 | 803609010000 | Frame | | 1 | |
| 14 | 304080302004 | Shaft | | 1 | |
| 15 | 306990301001 | Roller | | 1 | |
| 16 | 704106020001 | Sleeve | 20 GB5974.1 | 1 | |
| 17 | 701424024001 | Nut | M24 GB6185 | 4 | |
| 18 | 701510024001 | Lock Washer | 24 GB93 | 4 | |
| 19 | 701502024001 | Lock Washer | 24 GB96 | 4 | |
| 20 | 701171024001 | Hexagon Cap Screw | M24X100-10.9 GB1228 | 4 | |



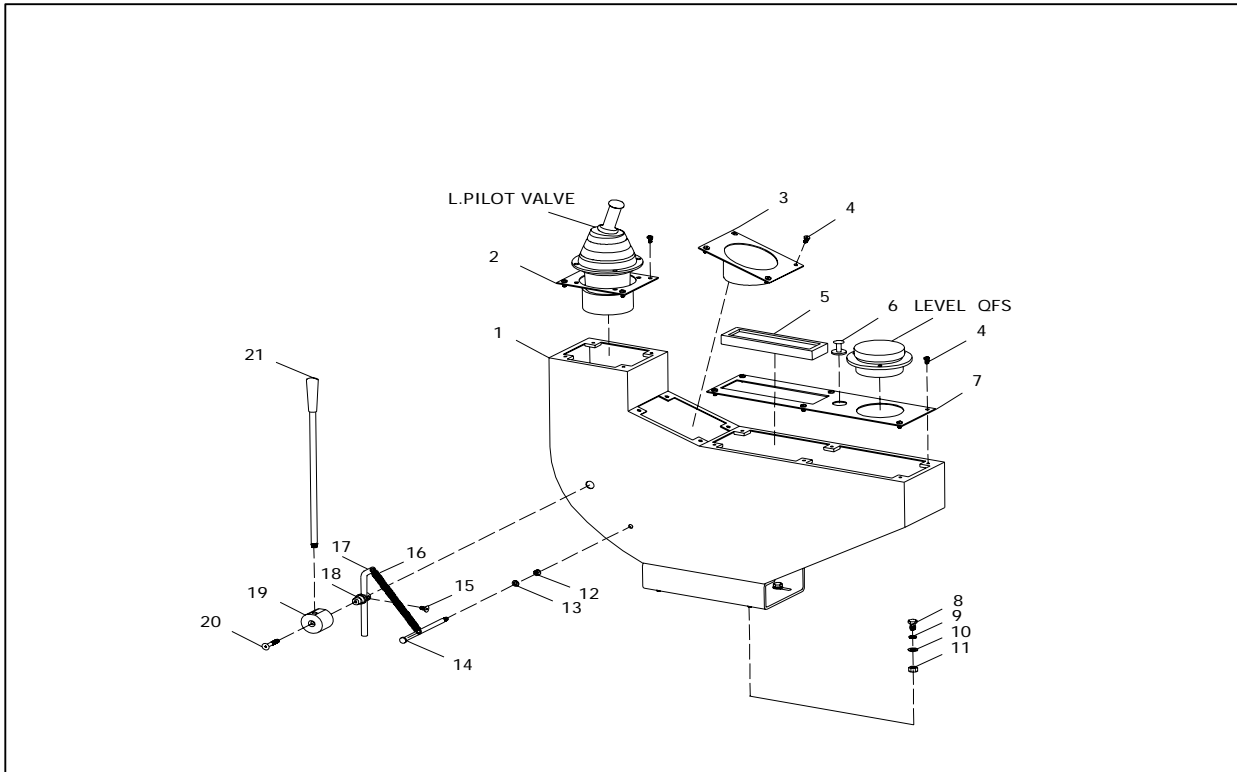
CABIN ASSEMBLY

| POS. | COD. | PART NAME | 名 称 | QTY | REMARK |
|------|--------------|-------------------|-----------------|-----|--------|
| 1 | 807207000000 | Front Grill | | 1 | |
| 2 | 302490106006 | Right Lower Glass | | 1 | |
| 3 | 302490108001 | Right Upper Glass | | 1 | |
| 4 | 302550106007 | Front Glass | | 1 | |
| 5 | 805103000000 | Front Glass Mount | | 1 | |
| 6 | 720405000011 | Wiper | ZD2230BAG-2/24V | 1 | |
| 7 | 720412000032 | Light | 32-0534 24V70W | 3 | |
| 8 | 807202010000 | Cabin Structure | | 1 | |
| 9 | 805105000000 | Sky Window | | 1 | |
| 10 | 807208000000 | Top Grill | | 1 | |
| 11 | 807209000000 | Top Grill | | 1 | |
| 12 | 302490106005 | Left Rear Glass | | 1 | |
| 13 | 805101000000 | Door Mount | | 1 | |
| 14 | 302490005001 | Door Upper Glass | | 1 | |
| 15 | 302490106005 | Left Rear Glass | | 1 | |
| 16 | 302490106013 | Door Lower Glass | | 1 | |
| 17 | 320030306001 | Railing | | 1 | |
| 18 | 320030307002 | Railing | | 1 | |
| 19 | 790004000004 | Rear Mirror | | 1 | |
| 20 | 302550106006 | Front Lower Glass | | 1 | |



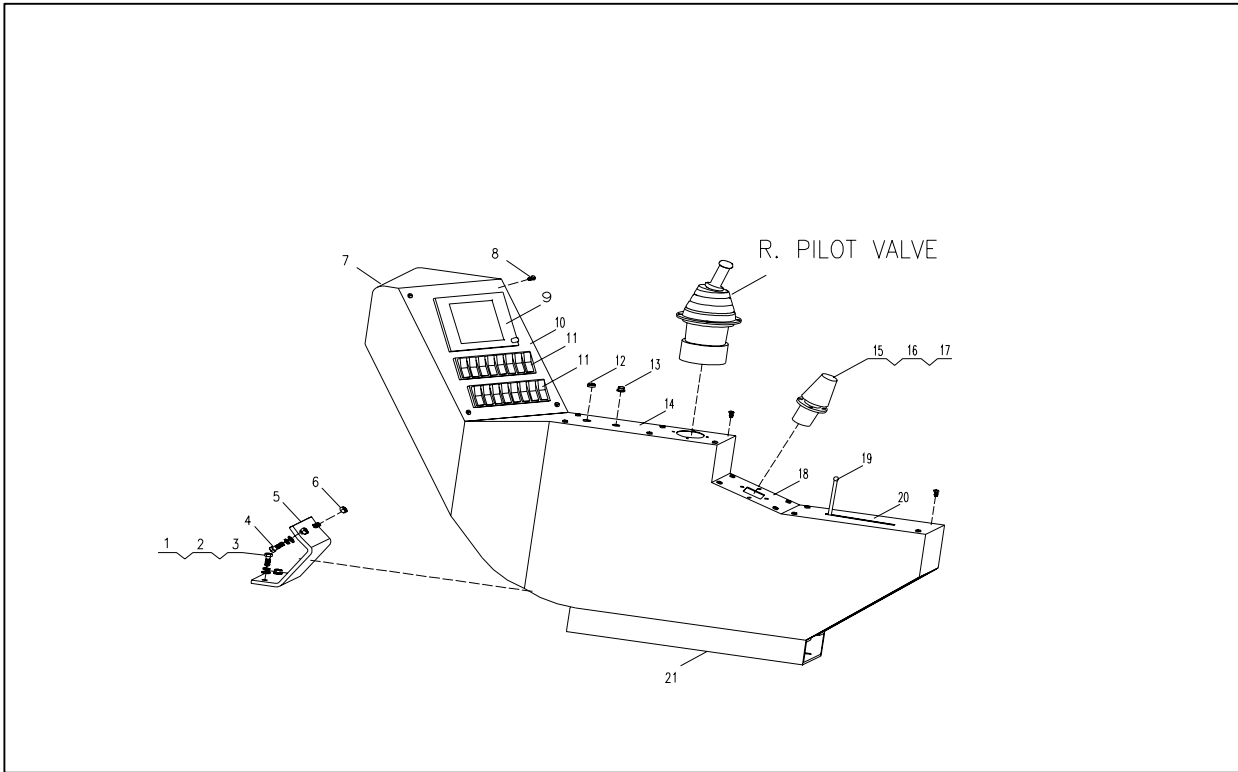
CONTROL ROOM LAYOUT

| ITEM | PART NUMBER | PART NAME | SPECIFICATION | QTY | REMARK |
|------|--------------|------------------------|-------------------|-----|--------|
| 1 | 701406010001 | Nut | M10-ZnD GB6170 | 4 | |
| 2 | 810316150000 | Control Lever | | 2 | |
| 3 | 701309004010 | Tap Bolt | M4X8 GB8182 | 4 | |
| 4 | 750099000008 | Handle | 2132-1134B(L) | 1 | |
| 5 | 750099000007 | Handle | 2132-1133® | 1 | |
| 6 | 807206010000 | Right Control Housing | | 1 | |
| 7 | 750702000009 | Seat | AT911-1 | 1 | |
| 8 | 807206030000 | Seat Frame | | 1 | |
| 9 | 807206020000 | Left Control Housing | | 1 | |
| 10 | 302030208048 | Base Plate | | 1 | |
| 11 | 701504010001 | Lock Washer | 10-ZnD GB97.1 | 20 | |
| 12 | 701510010001 | Lock Washer | 10-ZnD GB93 | 20 | |
| 13 | 701104010004 | Hexagon Cap Screw | M10X25-8.8 GB5783 | 20 | |
| 14 | 810416200000 | Right Pedal | | 1 | |
| 15 | 810416500000 | Left Pedal | | 1 | |
| 16 | 740430000001 | High Sensitivity Level | QFS | 1 | |



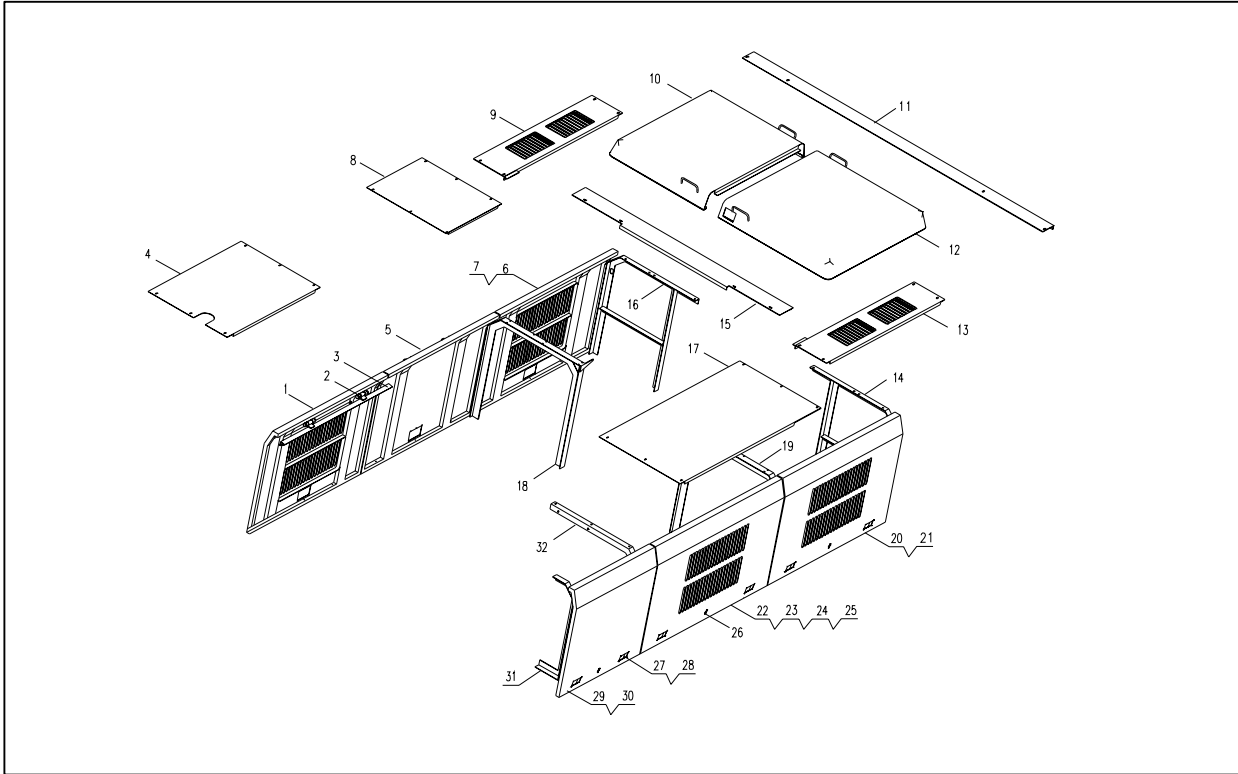
LEFT CONSOLE

| ITEM | PART NUMBER | PART NAME | SPECIFICATION | QTY | REMARK |
|------|--------------|---------------------|------------------|-----|--------|
| 1 | 807206020100 | Left Housing | | 1 | |
| 2 | 302030002010 | Plate | | 1 | |
| 3 | 807206020200 | Cup Holder Assembly | | 1 | |
| 4 | 701309005001 | Tap Bolt | M5X10-ZnD GB818 | 14 | |
| 5 | 72040400008 | Radio | YB6580 | 1 | |
| 6 | 72041100002 | Cigarette Lighter | DY739 | 1 | |
| 7 | 302030004016 | Plate | | 1 | |
| 8 | 701103008001 | Hexagon Cap Screw | M8X16-8.8 GB5782 | 8 | |
| 9 | 701510008001 | Lock Washer | 8 GB93 | 8 | |
| 10 | 701501008002 | Flat Washer | 8 GB95 | 8 | |
| 11 | 701406008001 | Nut | M8-10 GB6170 | 4 | |
| 12 | 701406006001 | Nut | M6-10 GB6170 | 1 | |
| 13 | 701501006001 | Lock Washer | 6 GB95 | 1 | |
| 14 | 304090202001 | Rod | | 1 | |
| 15 | 701309004010 | Screw | M4X8 GB818 | 1 | |
| 16 | 301030302004 | Tension Spring | | 1 | |
| 17 | 304110203010 | Rod | | 1 | |
| 18 | 304030300002 | Shaft | | 1 | |
| 19 | 305060500014 | Sleeve | | 1 | |
| 20 | 701315006001 | Screw | M6X35-8.8 GB68 | 1 | |
| 21 | 807206020300 | Handle | | 1 | |



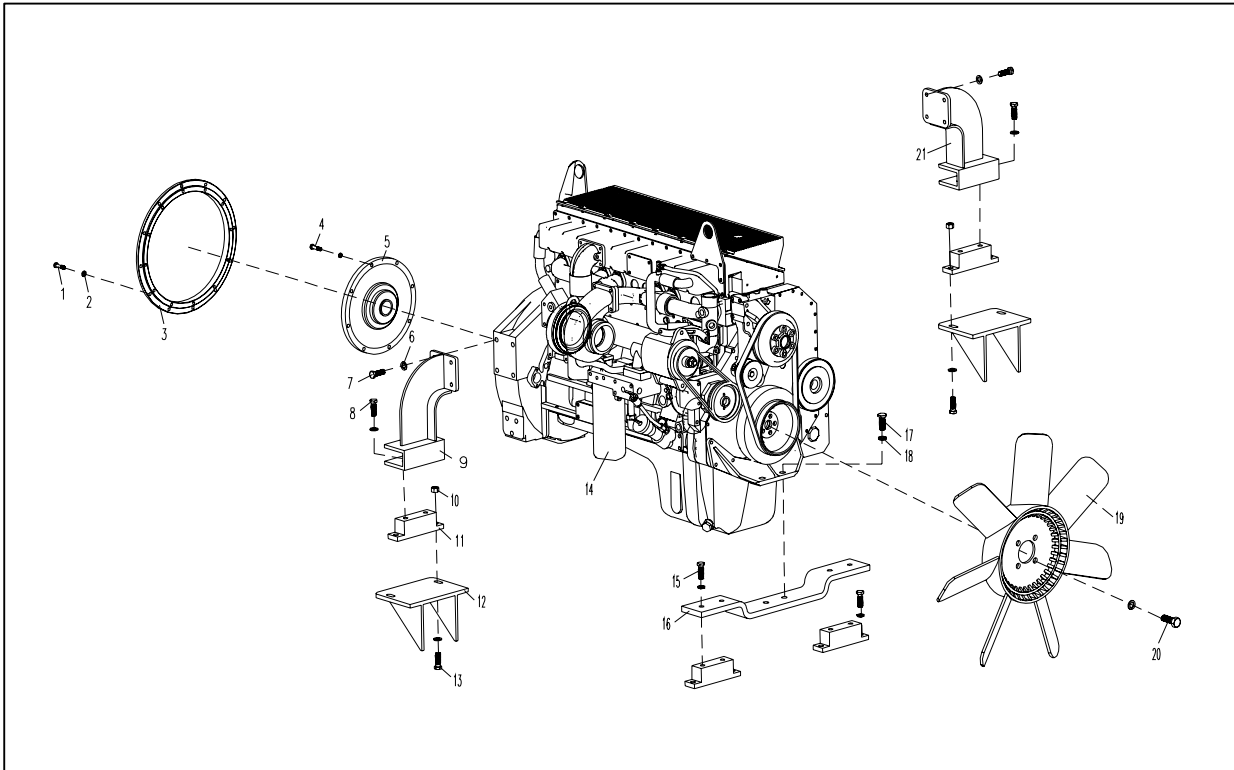
RIGHT CONSOLE

| ITEM | PART NUMBER | PART NAME | SPECIFICATION | QTY | REMARK |
|------|--------------|-------------------|----------------------|-----|--------|
| 1 | 701103008001 | Hexagon Cap Screw | M8X16 GB5782 | 10 | |
| 2 | 701501008002 | Lock Washer | 8 GB95 | 12 | |
| 3 | 701510008001 | Flat Washer | 8 GB93 | 10 | |
| 4 | 701104008022 | Hexagon Cap Screw | M8X20-8.8-ZnD GB5783 | 2 | |
| 5 | 302540000146 | Plate | | 1 | |
| 6 | 701406008001 | Nut | M8 GB6170 | 6 | |
| 7 | 807206010100 | Right Housing | | 1 | |
| 8 | 701309005001 | Screw | M5X10 GB818 | 18 | |
| 9 | 720402000003 | Terminal Display | STP-X-AT82 | 1 | |
| 10 | 302030004018 | Panel | | 1 | |
| 11 | 720236000018 | Switch Button | JK991-SWDM20 | 1 | |
| 12 | | Emergency Stop | | 1 | |
| 13 | 720245000002 | Ignition | | 1 | |
| 14 | 302060705001 | Panel | | 1 | |
| 15 | 720299000002 | Electric Handle | S50JCK-Y0-21R2GP | 1 | |
| 16 | 701309003005 | Screw | M3X12 GB818 | 4 | |
| 17 | 701406003001 | Nut | M3 GB6170 | 4 | |
| 18 | 302030003016 | Panel | | 1 | |
| 19 | 720212000044 | Throttle | WS1T/90/10 | 1 | |
| 20 | 302030004017 | Panel | | 1 | |
| 21 | 302540105005 | Base | | 1 | |



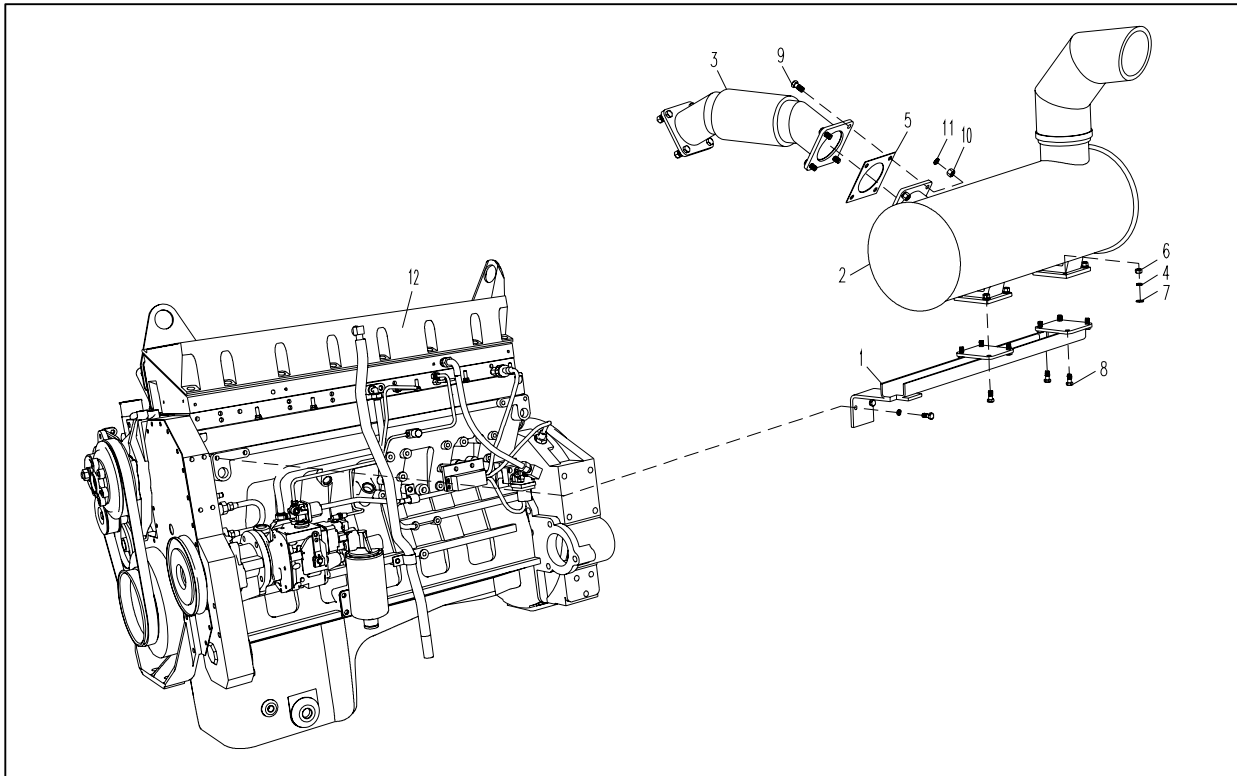
DRILL RIG BODY

| ITEM | PART NUMBER | PART NAME | SPECIFICATION | QTY | REMARK |
|------|--------------|----------------------------|---------------|-----|--------|
| 1 | 803610090000 | Side Door(2) | | 1 | |
| 2 | 803610020000 | Hinge | | 12 | |
| 3 | 303030507003 | Door Hinge Fixing Rod(1) | | 1 | |
| 4 | 803610080000 | Right Front Cover Plate | | 1 | |
| 5 | 803610060000 | Side Door(1) | | 1 | |
| 6 | 803610170000 | Side Door(5) | | 2 | |
| 7 | 303030509005 | Door Hinge Fixing Rod(5) | | 1 | |
| 8 | 803610070000 | Right Middle Cove Plate | | 1 | |
| 9 | 803610040000 | Right Rear Cover Plate | | 1 | |
| 10 | 803610210000 | Right Upper Plate | | 1 | |
| 11 | 803610190000 | Rear Cover Plate | | 1 | |
| 12 | 803610200000 | Left Upper Plate | | 1 | |
| 13 | 803610160000 | Left Cover Plate | | 1 | |
| 14 | 803610180000 | Rib | | 1 | |
| 15 | 803610150000 | Middle Cover Plate | | 1 | |
| 16 | 803610010000 | Rib | | 1 | |
| 17 | 803610130000 | Left Front Cover Plate | | 1 | |
| 18 | 803610050000 | Rib | | 1 | |
| 19 | 803610140000 | Rib | | 1 | |
| 20 | 803610170000 | Side Door(5) | | 2 | |
| 21 | 303030508015 | Door Hinge Fixing Rod(4) | | 2 | |
| 22 | 803610120000 | Side Door | | 1 | |
| 23 | 303030508014 | Door Hinge Fixing Rod(3) | | 1 | |
| 24 | 803610030000 | Side Door Supporting Frame | | 6 | |
| 25 | 803610220000 | Side Door Supporting Rod | | 6 | |
| 26 | 750906000061 | Lock | MS812-T | 6 | |
| 27 | 750907000009 | Handle | LS-V | 12 | |
| 28 | 701310004003 | Screw | M4X15 GB819 | 48 | |
| 29 | 803610110000 | Side Door(3) | | 1 | |
| 30 | 303030506011 | Door Hinge Fixing Rod(2) | | 1 | 26 |
| 31 | 303030507002 | Rib | | 1 | |
| 32 | 303030508006 | Rib | | 1 | |



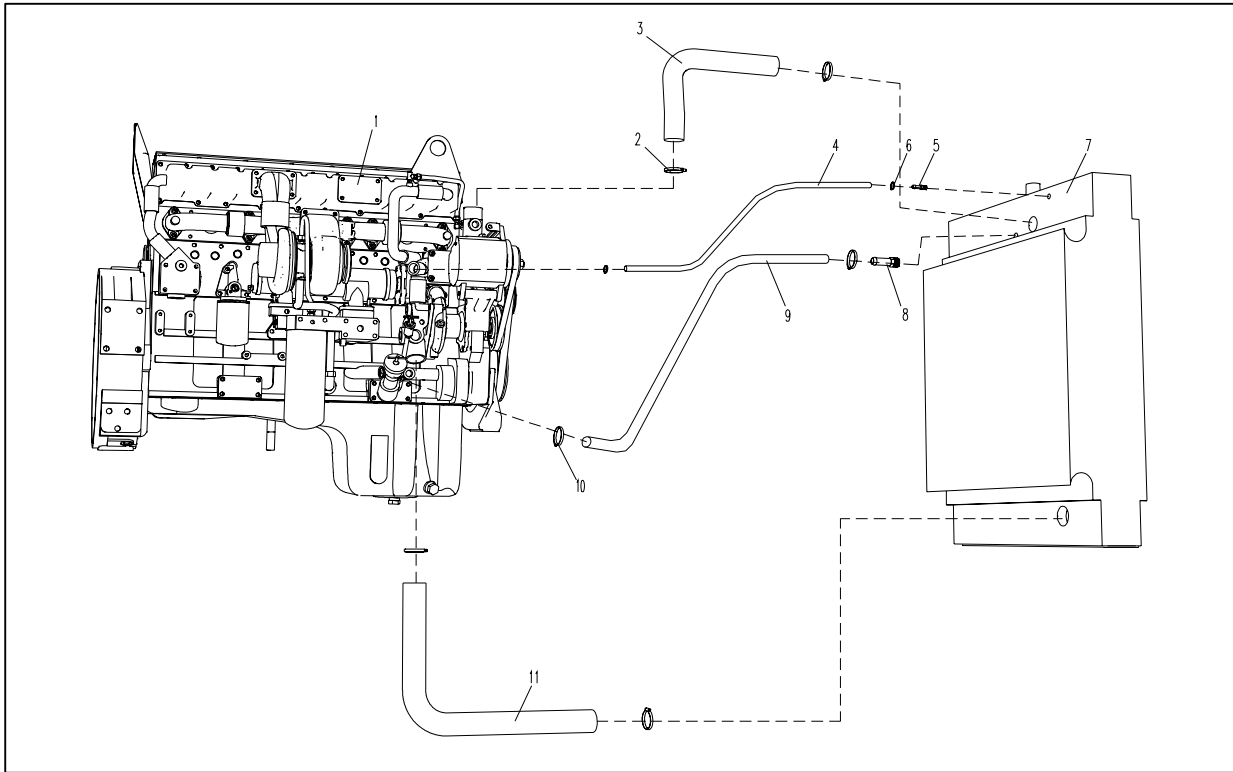
ENGINE SYSTEM

| ITEM | PART NUMBER | PART NAME | SPECIFICATION | QTY | REMARK |
|------|--------------|----------------------------------|----------------------|-----|--------|
| 1 | 751104000017 | Hexagon Cap Screw | 3/8-16UNC-2AX30-10.9 | 12 | |
| 2 | 701509010001 | Lock Washer | 10 GB848 | 32 | |
| 3 | 305031000007 | Hydraulic Pump Transition Flange | | 1 | |
| 4 | 751104000004 | Hexagon Cap Screw | 3/8-16UNC-2AX40-10.9 | 8 | |
| 5 | 750310000004 | Coupling | BOWEX100FLE-PA11.5" | 1 | |
| 6 | 701504016001 | Lock Washer | 16 GB97.1 | 4 | |
| 7 | 751104000005 | Hexagon Cap Screw | 5/8-11UNC-2AX40-10.9 | 8 | |
| 8 | 701104016003 | Hexagon Cap Screw | M16X30-8.8 GB5783 | 4 | |
| 9 | 803611060000 | Rear Bracket | | 1 | |
| 10 | 701406016002 | Hex Nut | M16 GB6170 | 4 | |
| 11 | 750602000020 | Damper | SH-750 | 4 | |
| 12 | 803611040000 | Support Frame | | 2 | |
| 13 | 701103016024 | Hexagon Cap Screw | M16X60 GB5782 | 4 | |
| 14 | 750201000011 | Engine | M11-C330 | 1 | |
| 15 | 701103016005 | Hexagon Cap Screw | M16X40-8.8 GB5782 | 8 | |
| 16 | 302540306008 | Front Plate | | 1 | |
| 17 | 701103020016 | Hexagon Cap Screw | M20X35 GB5782 | 2 | |
| 18 | 701507020001 | Lock Washer | 20 GB97.2 | 2 | |
| 19 | 720409000014 | Fan | 711/9-9/45%D | 1 | |
| 20 | 751104000006 | Hexagon Cap Screw | 3/8-16UNC-2AX95-10.9 | 6 | |
| 21 | 803611050000 | Rear Bracket | | 1 | |

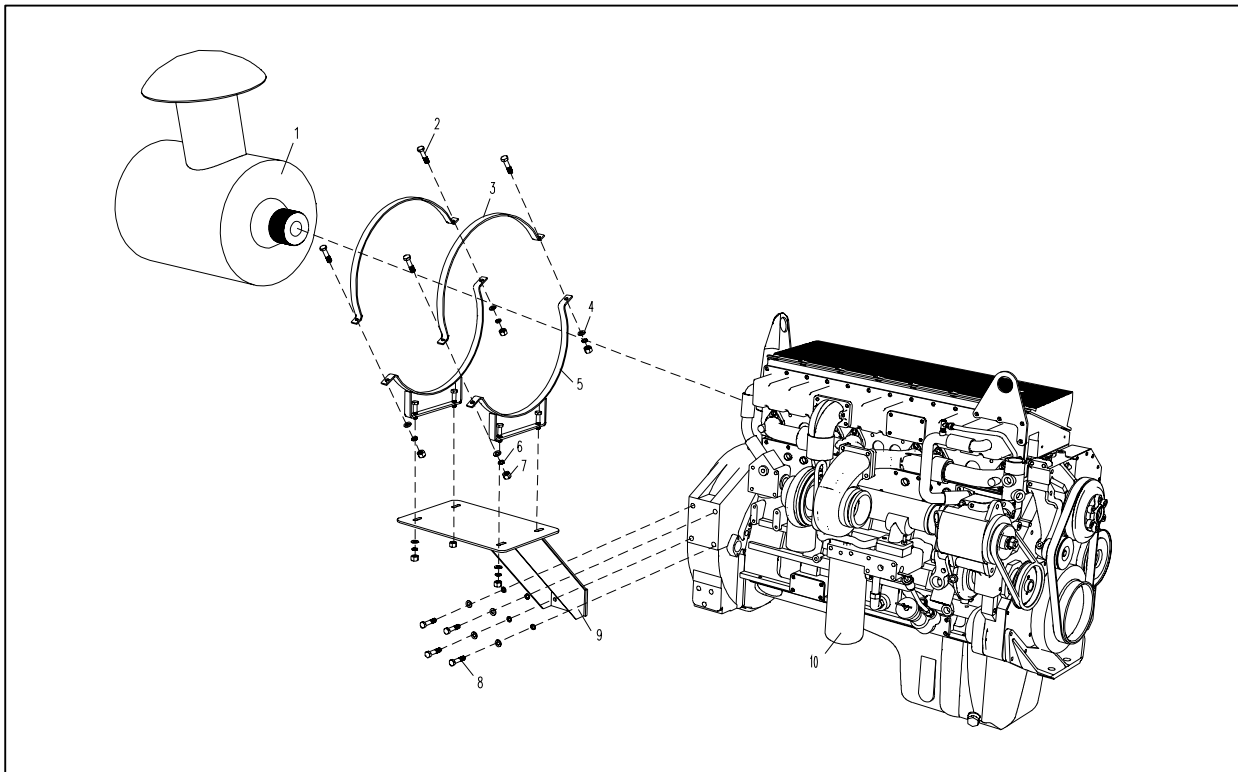


MUFFLER ASSEMBLY

| ITEM | PART NUMBER | PART NAME | SPECIFICATION | QTY | REMARK |
|------|--------------|--------------------|---------------|-----|--------|
| 1 | 803611020100 | Bracket | | 1 | |
| 2 | 750205000005 | Muffler | XH-G227XW | 1 | |
| 3 | 803611020200 | Ripple Compensator | | 1 | |
| 4 | 701510010001 | Lock Washer | 10 GB93 | 11 | |
| 5 | 302030003018 | Seal | | 2 | |
| 6 | 701406010001 | Nut | M10 GB6170 | 9 | |
| 7 | 701504010001 | Lock Washer | 10 GB97.1 | 8 | |
| 8 | 701103010003 | Hexagon Cap Screw | M10X30 GB5782 | 11 | |
| 9 | 701103012011 | Hexagon Cap Screw | M12X35 GB5872 | 8 | |
| 10 | 701510012001 | Lock Washer | 12 GB93 | 8 | |
| 11 | 701406012002 | Lock Washer | M12 GB6170 | 8 | |
| 12 | 750201000011 | Engine | M11-C330 | 1 | |

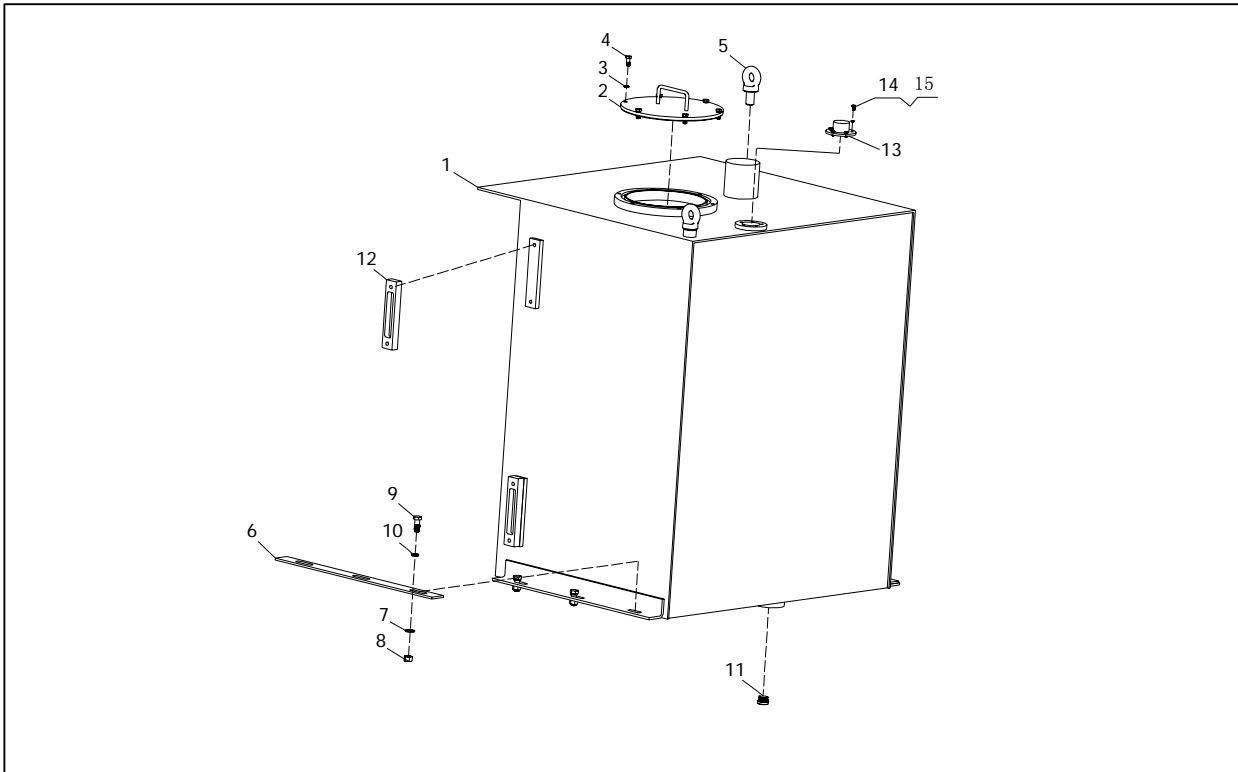
**RADIATOR ASSEMBLY**

| ITEM | PART NUMBER | PART NAME | SPECIFICATION | QTY | REMARK |
|------|--------------|-------------------|-------------------|-----|--------|
| 1 | 750201000011 | Engine | M11-C330 | 1 | |
| 2 | 701901070001 | Hose Clamp | $\Phi 50 \sim 70$ | 4 | |
| 3 | 320020506005 | Water Inlet Pipe | | 1 | |
| 4 | 320020206001 | Air Hose | | 1 | |
| 5 | 308010202010 | Male Pipe-Push on | 1/4" | 2 | |
| 6 | 701901025001 | Hose Clamp | 0 16-25 JB/T8870 | 2 | |
| 7 | 730701000013 | Radiator | SHW11 | 1 | |
| 8 | 308010304054 | Male Pipe-Push on | 1" | 1 | |
| 9 | 320020408001 | Water Pipe | | 1 | |
| 10 | 701901038001 | Hose Clamp | $\Phi 25 \sim 38$ | 2 | |
| 11 | 320020506004 | Water Outlet Pipe | | 1 | |



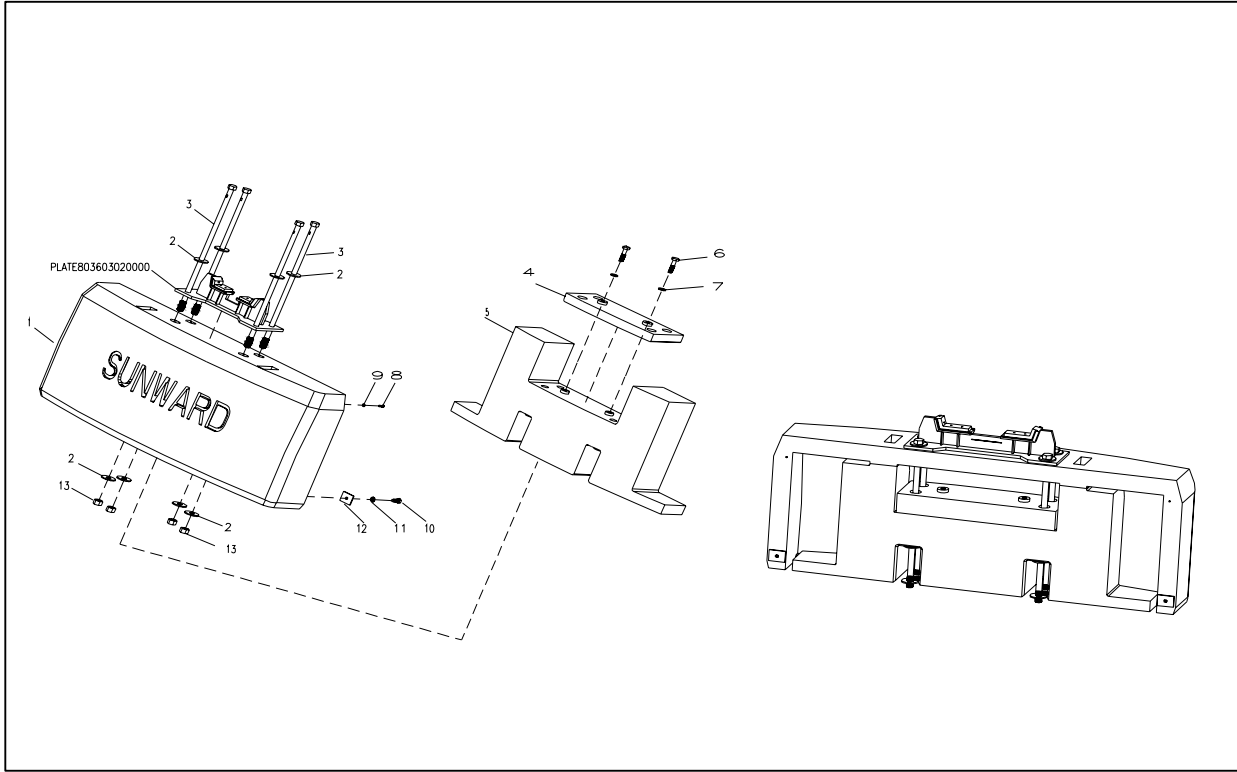
AIR FILTER ASSEMBLY

| ITEM | PART NUMBER | PART NAME | SPECIFICATION | QTY | REMARK |
|------|--------------|-------------------|---------------|-----|--------|
| 1 | 730402000010 | Air Filter | AH19112 | 1 | |
| 2 | 701101010006 | Hexagon Cap Screw | M10X50 GB5780 | 4 | |
| 3 | 302550106013 | Clamp | | 2 | |
| 4 | 701504010001 | Flat Washer | 10 GB97.1 | 12 | |
| 5 | 803611010100 | Clamp | | 2 | |
| 6 | 701510010001 | Lock Washer | 10 GB93 | 12 | |
| 7 | 701406010001 | Hex Nut | M10 GB6170 | 8 | |
| 8 | 701103010002 | Hexagon Cap Screw | M10X25 GB5782 | 8 | |
| 9 | 803611010200 | Bracket | | 1 | |
| 10 | 750201000011 | Engine | M11-C330 | 1 | |



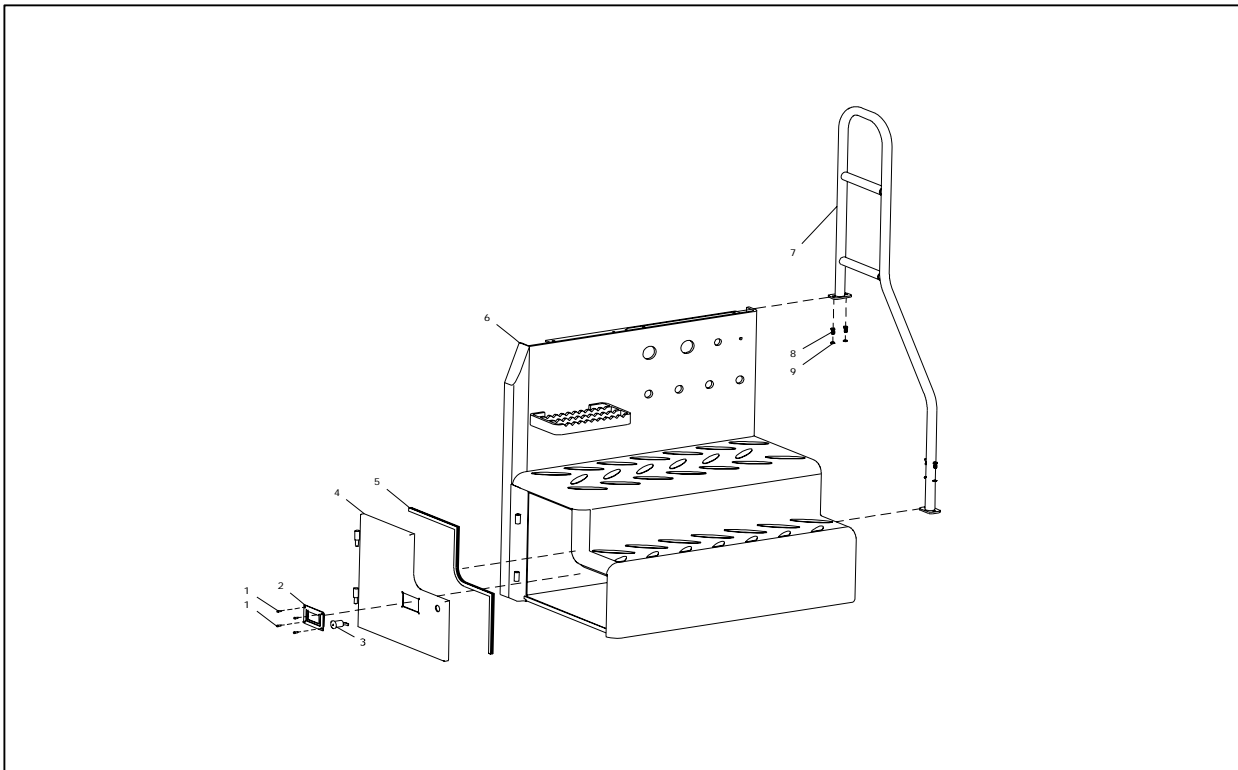
FUEL TANK ASSEMBLY

| ITEM | PART NUMBER | PART NAME | SPECIFICATION | QTY | REMARK |
|------|--------------|----------------------|----------------------|-----|--------|
| 1 | 803611080100 | Fuel Tank | | 1 | |
| 2 | 803611080200 | Cover (for cleaning) | | 1 | |
| 3 | 701510008001 | Lock Washer | 8-ZnD GB93 | 6 | |
| 4 | 701104008006 | Hexagon Cap Screw | M8X25-8.8-ZnD GB5783 | 6 | |
| 5 | 701305020001 | Machinery Eye Bolt | M20 GB825 | 2 | |
| 6 | 302030105019 | Rubber Seal | | 2 | |
| 7 | 701504012001 | Flat Washer | 12 GB97.1 | 6 | |
| 8 | 701406012002 | Hex Nut | M12-10 GB6170 | 6 | |
| 9 | 701103012012 | Hexagon Cap Screw | M12X40-8.8 GB5782 | 6 | |
| 10 | 701510012001 | Flat Washer | 12 GB93 | 6 | |
| 11 | 730399000012 | Drainage Valve | M22X1.5 | 1 | |
| 12 | 740401000002 | Fuel Level Indicator | YWZ-150 | 2 | |
| 13 | 720212000017 | Fuel Level Sensor | RG1163-M10 | 1 | |
| 14 | 701309005008 | Hexagon Cap Screw | M5X15 GB818 | 5 | |
| 15 | 701510005001 | Lock Washer | 5-ZnD GB93 | 5 | |



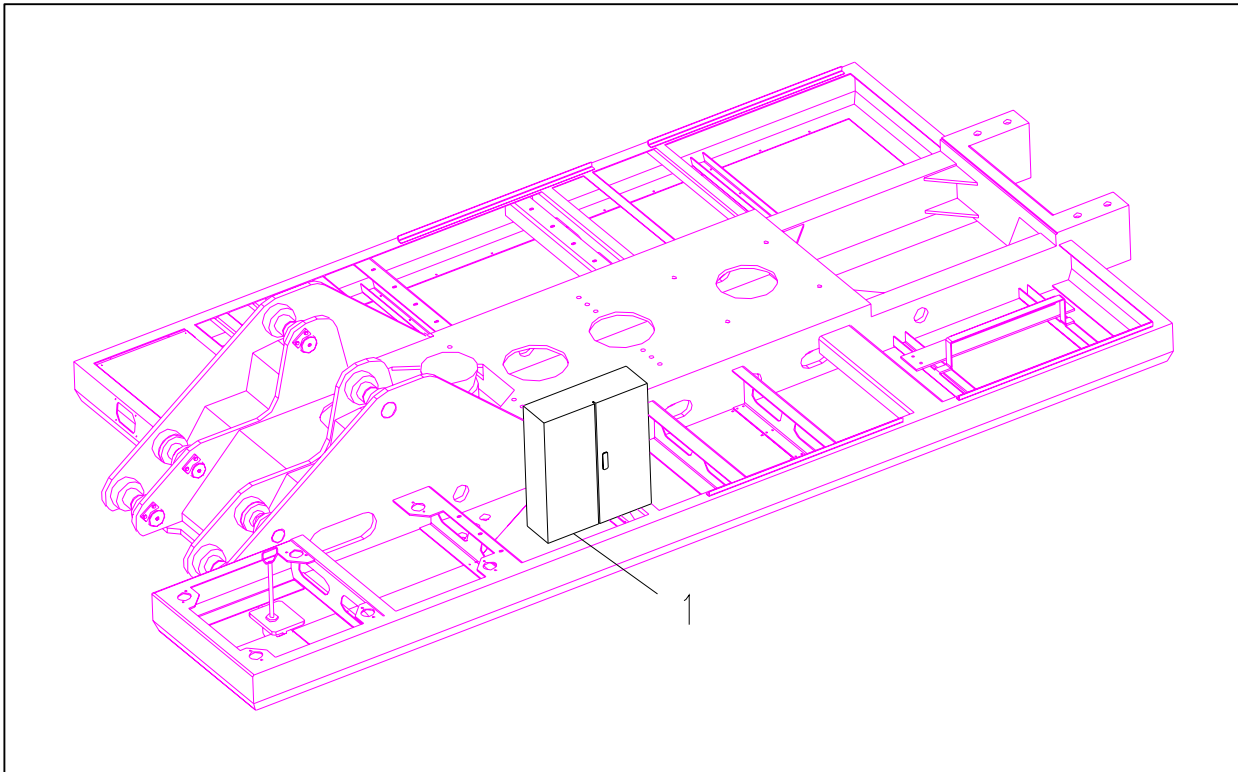
COUNTERWEIGHT

| ITEM | PART NUMBER | PART NAME | SPECIFICATION | QTY | REMARK |
|------|--------------|---------------------|-------------------|-----|--------|
| 1 | 331020000010 | Counterweight Shell | | 1 | |
| 2 | 302010202022 | Washer | | 8 | |
| 3 | 803612010000 | Bolt | | 4 | |
| 4 | 307990707001 | Adjustable Weight | | 1 | |
| 5 | 307990909001 | Main Weight | | 1 | |
| 6 | 701103030007 | Hexagon Cap Screw | M30X230 GB5783 | 2 | |
| 7 | 701501030001 | Washer | 30 GB95 | 2 | |
| 8 | 701104012012 | Tap Bolt | M12X40-8.8 GB5783 | 2 | |
| 9 | 701501012002 | Washer | 12 GB95 | 2 | |
| 10 | 701104024008 | Tap Bolt | M24X60-8.8 GB5783 | 2 | |
| 11 | 701501024001 | Washer | 24 GB95 | 2 | |
| 12 | 302030202124 | Square Washer | | 2 | |
| 13 | 701406042002 | Nut | M42-10 GB6170 | 4 | |



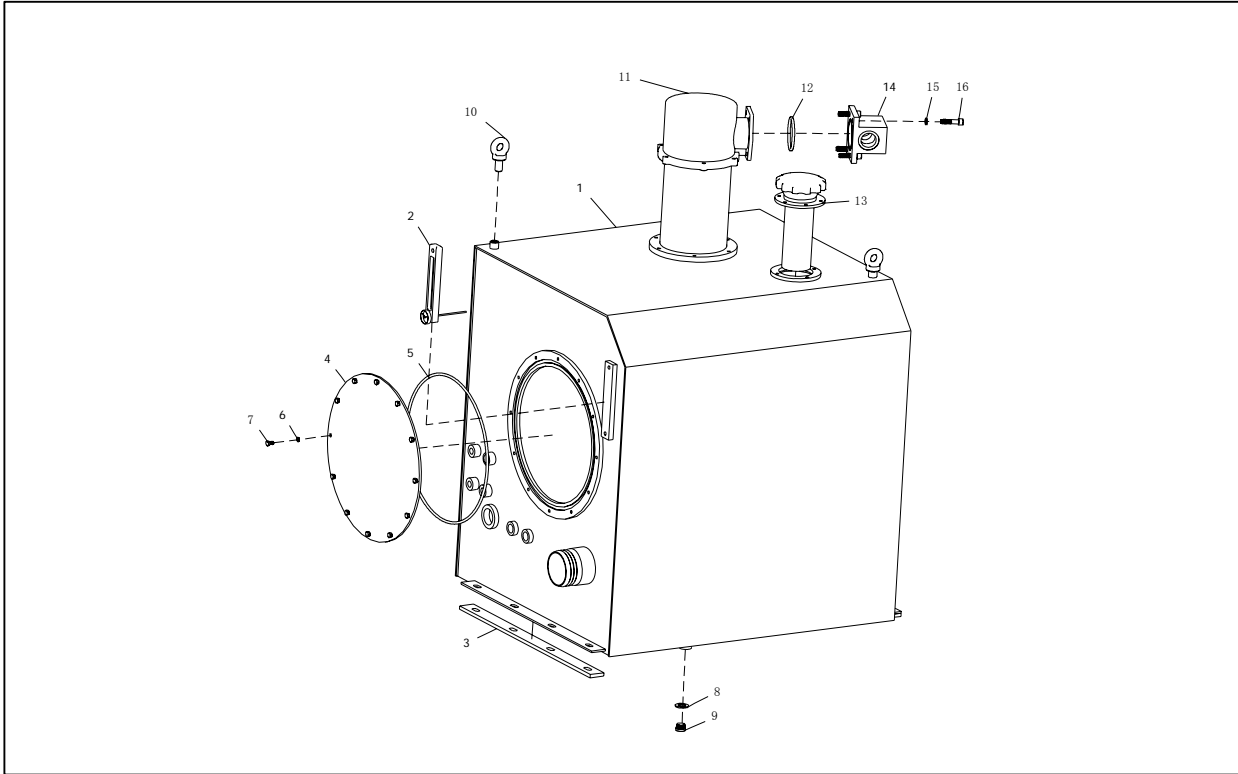
TOOL BOX

| ITEM | PART NUMBER | PART NAME | SPECIFICATION | QTY | REMARK |
|------|--------------|-------------|----------------------|-----|--------|
| 1 | 701604004801 | Rivet | 4.8X13 GB4005 | 4 | |
| 2 | 750907000009 | Hand Grip | LS-V | 1 | |
| 3 | 750906000046 | Lock | | 1 | |
| 4 | 803613020000 | Door | | 1 | |
| 5 | 750001000003 | Seal | | 1 | |
| 6 | 803613010000 | Box | | 1 | |
| 7 | 803613030000 | Hand Rail | | 1 | |
| 8 | 701104008002 | Tap Bolt | M8X16-8.8-ZnD GB5783 | 4 | |
| 9 | 701510008001 | Lock Washer | 8-ZnD GB93 | 4 | |



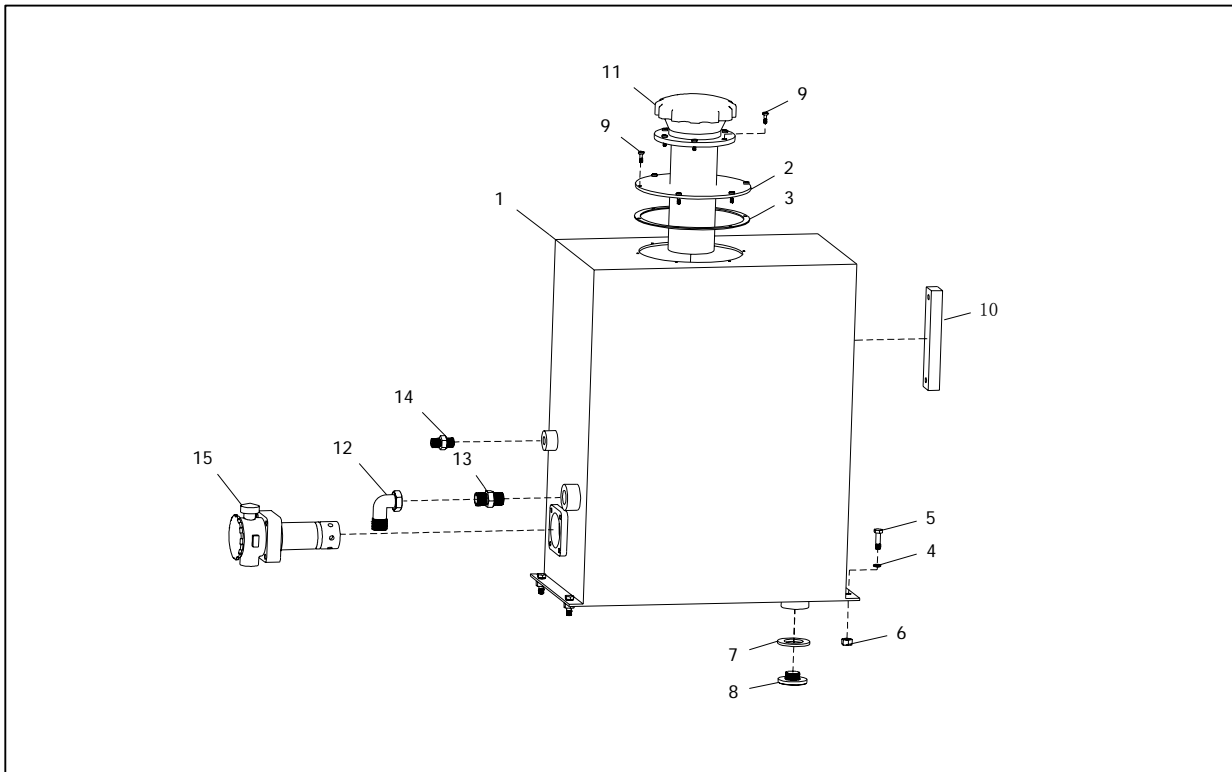
ELECTRIC CONTROL BOX

| ITEM | PART NUMBER | PART NAME | SPECIFICATION | QTY | REMARK |
|------|--------------|----------------------|---------------|-----|--------|
| 1 | 803697020000 | Electric Control Box | | 1 | |



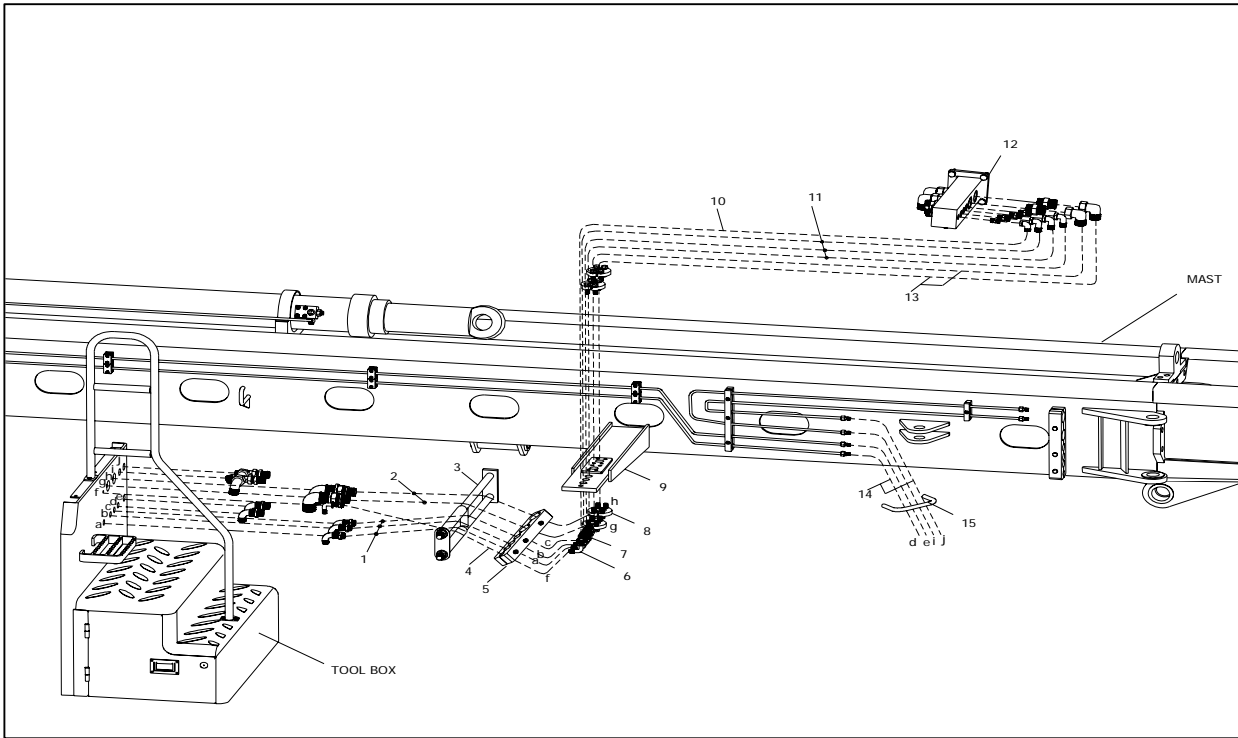
HYDRAULIC OIL TANK

| ITEM | PART NUMBER | PART NAME | SPECIFICATION | QTY | REMARK |
|------|--------------|---------------------|-------------------|-----|--------|
| 1 | 803696010110 | Oil Tank | | 1 | |
| 2 | 740401000001 | Oil Level Indicator | CYW-200 | 1 | |
| 3 | 302030206227 | Rubber Cushion | | 1 | |
| 4 | 302010205009 | Cover Plate | | 2 | |
| 5 | 703201425001 | O-ring | 425X7 GB3452.1 | 2 | |
| 6 | 701510008001 | Lock Washer | 8 GB93 | 24 | |
| 7 | 701104008004 | Hexagon Cap Screw | M8X20-8.8 GB5783 | 24 | |
| 8 | 703202022001 | Washer | 22 JB982 | 1 | |
| 9 | 703206022001 | Screw Plug | M22X1.5 JB1001-77 | 1 | |
| 10 | 701305012001 | Eye Bolt | M12 GB825 | 2 | |
| 11 | 730401000015 | Filter | PZU-800X10Y | 1 | |
| 12 | 703201085002 | O-ring | 85X3.55 GB3452.1 | 1 | |
| 13 | 730402000029 | Air Filter | EF6-80 | 1 | |
| 14 | 330040202003 | Flange Connector | | 1 | |
| 15 | 701510012001 | Lock Washer | 12 GB93 | 4 | |
| 16 | 701302012013 | Hexagon Cap Screw | M12X50-8.8 GB70 | 4 | |



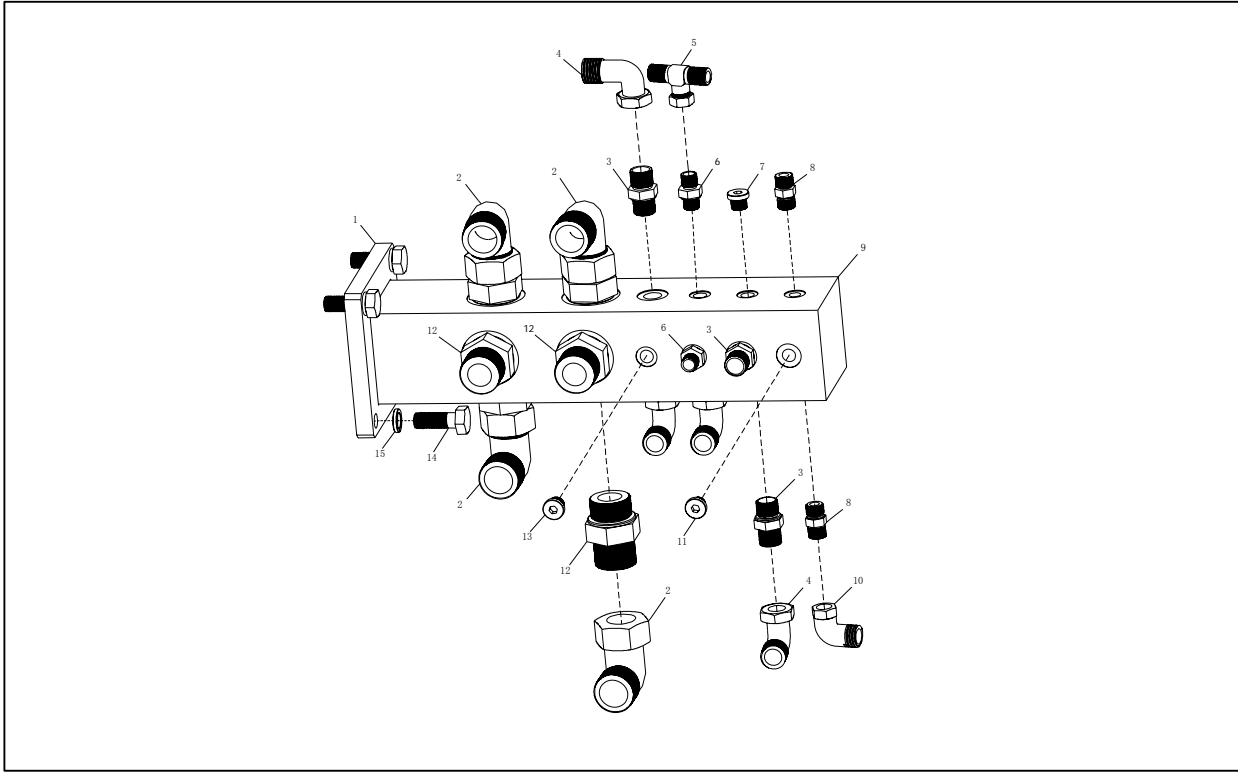
SMALL HYDRAULIC OIL TANK

| ITEM | PART NUMBER | PART NAME | SPECIFICATION | QTY | REMARK |
|------|--------------|---------------------|------------------|-----|--------|
| 1 | 803696020100 | Small Oil Tank | | 1 | |
| 2 | 302010203019 | Flange | | 1 | |
| 3 | 302010003010 | Rubber Gasket | | 1 | |
| 4 | 701510008001 | Lock Washer | 8-ZnD GB93 | 4 | |
| 5 | 701103008012 | Hexagon Cap Screw | M8x35-8.8 GB5782 | 4 | |
| 6 | 701406008001 | Hex Nut | M8-ZnD GB6170 | 4 | |
| 7 | 703202033001 | Flat Washer | 33 JB982 | 1 | |
| 8 | 703203033001 | Screw Plug | M33x2 JB1000 | 1 | |
| 9 | 701314004002 | Hexagon Cap Screw | M4X16-8.8 GB65 | 12 | |
| 10 | 739801000009 | Oil Level Indicator | YWZ-200T | 1 | |
| 11 | 730402000012 | Air Filter | QUQ2-20x1.0 | 1 | |
| 12 | 730102000020 | Elbow | EW18LOMDA3C | 1 | |
| 13 | 730101000016 | Union | GE18LMEDOMDA3C1 | 1 | |
| 14 | 730101000015 | Union | GE12LMEDOMDA3C | 1 | |
| 15 | 730401000014 | Filter | LXZ-40X80Y | 1 | |



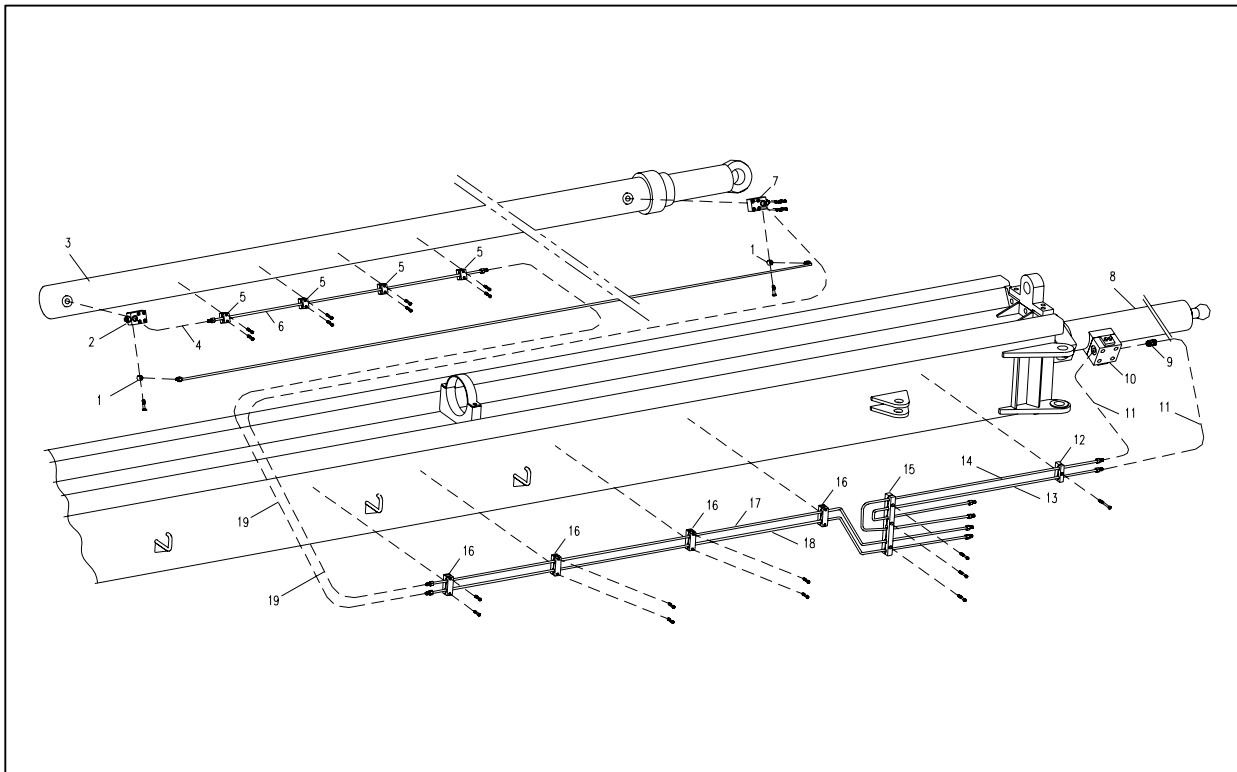
TRANSITIONAL HYDRAULIC OIL LINE

| ITEM | PART NUMBER | PART NAME | SPECIFICATION | QTY | REMARK |
|------|--------------|---------------------------------|---------------------|-----|--------|
| 1 | 730501000319 | Rubber Hose Assembly | 481CACAA181810-5800 | 3 | |
| 2 | 730502000942 | Rubber Hose Assembly | F731C96N382020-5500 | 2 | |
| 3 | 803696130200 | Hose support | | 1 | |
| 4 | 730502000576 | Rubber Hose | 481CACF101005-5000 | 1 | |
| 5 | 803696130100 | Hose Clamp | | 3 | |
| 6 | 730103000007 | Elbow | WSV10LOMDA3C | 1 | |
| 7 | 730103000006 | Connector | WSV18LOMDA3C | 3 | |
| 8 | 730199000023 | High Pressure Flange | SAE 1 1/4 | 4 | |
| 9 | 803696130300 | Mast Clapboard | | 1 | |
| 10 | 730502000674 | Hose | 481CACF101005-4000 | 1 | |
| 11 | 730502000589 | Rubber Hose | 481CACF181810-4950 | 3 | |
| 12 | 803696130400 | Transitional Block Installation | | 1 | |
| 13 | 730503000133 | Rubber Hose Assembly | F481CFCF181810-4950 | 2 | |
| 14 | 730501000250 | Rubber Hose | 701C9C9202010-5500 | 4 | |
| 15 | 320030000003 | Hose Holder | | 1 | |



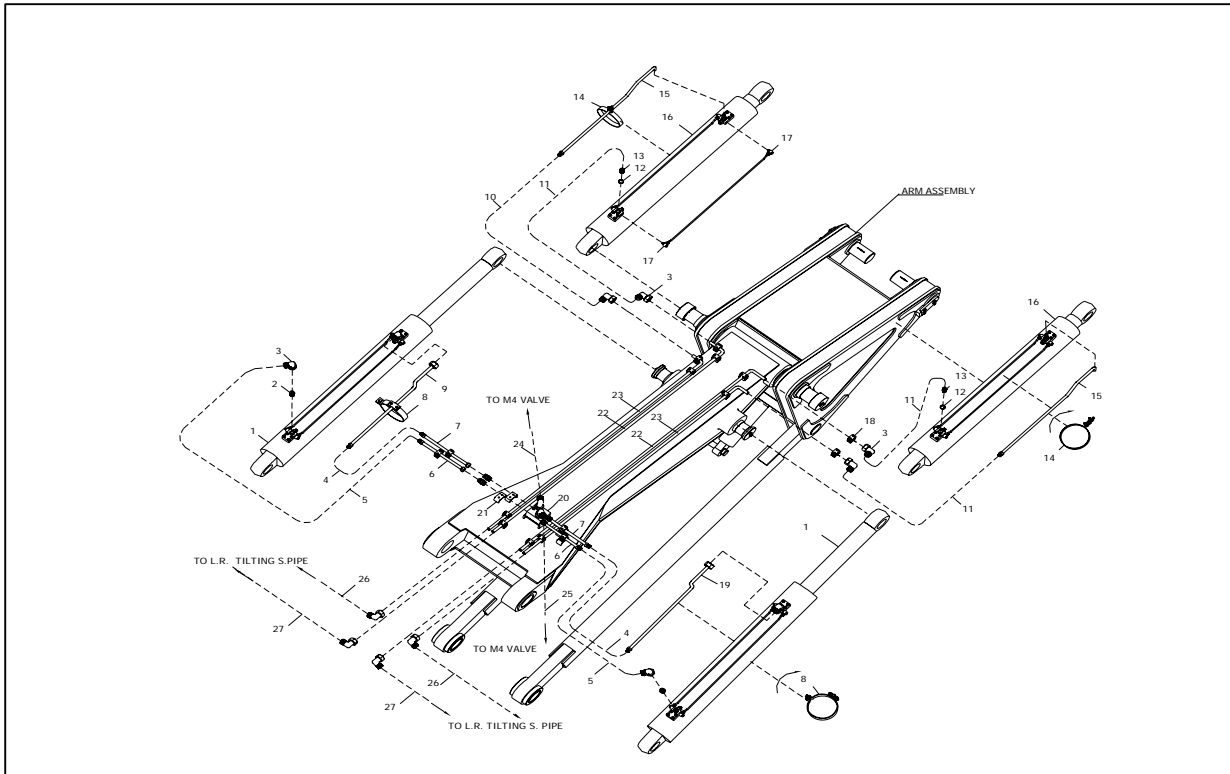
TRANSITIONAL BLOCK INSTALLATION

| ITEM | PART NUMBER | PART NAME | SPECIFICATION | QTY | REMARK |
|------|--------------|--------------------------|-------------------|-----|--------|
| 1 | 302030000662 | Transitional Block Plate | | 1 | |
| 2 | 730102000025 | Elbow | EW38SOMDA3C | 4 | |
| 3 | 730101000016 | Union | GE18LMEDOMDA3C | 5 | |
| 4 | 730102000020 | Elbow | EW18LOMDA3C | 4 | |
| 5 | 730104000025 | Tee | EL12LOMDA3C | 1 | |
| 6 | 730101000155 | Union | GE12LMEDOMDA3C | 2 | |
| 7 | 739806000006 | Screw Plug | VSTI22X1.5EDA3C | 1 | |
| 8 | 730101000005 | Union | GE10LMEDOMDA3C | 2 | |
| 9 | 307010604021 | Transitional Block | | 1 | |
| 10 | 730102000015 | Elbow | EW10LOMDA3C | 1 | |
| 11 | 739806000009 | Screw Plug | VSTI14X1.5EDA3C | 1 | |
| 12 | 730101000146 | Union | GE38SMEDA3C | 6 | |
| 13 | 739806000025 | Screw Plug | VSTI16X1.5EDA3C | 1 | |
| 14 | 701101016005 | Hexagon Cap Screw | M16X45-4.8 GB5780 | 4 | |
| 15 | 701510016001 | Lock Washer | 16 GB93 | 4 | |



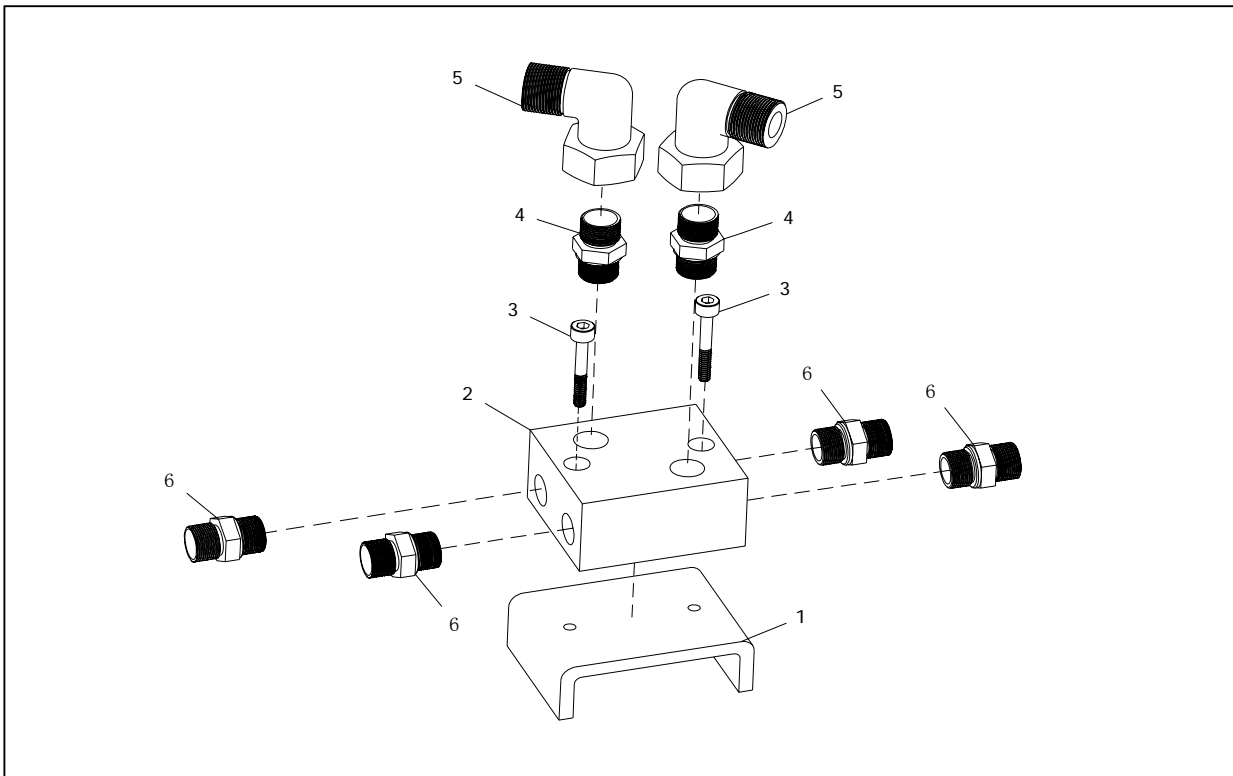
CROWD HYDRAULIC CYLINDER OIL LINE

| POS. | COD. | PART NAME | SPECIFICATION | QTY | REMARK |
|------|--------------|----------------------------------|---------------------|-----|--------|
| 1 | 730199000022 | Connector | WH20SMKDSOMDA3C | 2 | |
| 2 | 730304000005 | Balance Valve | F1201 120L/MIN | 1 | |
| 3 | 730001000121 | Crowd Hydraulic Cylinder | D140/d100-5000X5700 | 1 | |
| 4 | 730502000547 | Rubber Hose | 371C91C202010-600 | 1 | |
| 5 | 751008000041 | Pipe Clamp | TLPG-320 | 4 | |
| 6 | 730540000044 | Steel Pipe | SWDM20G.120 | 1 | |
| 7 | 730304000006 | Balance Valve | F1201A 120L/MIN | 1 | |
| 8 | 730001000120 | Hydraulic Cylinder | D125/d90-1500X1955 | 1 | |
| 9 | 308010204004 | Union | M22X1.5/M30X2 | 2 | |
| 10 | 730301000012 | Check Valve | CKEB-XCN | 1 | |
| 11 | 730501000247 | Rubber Hose | 701C9C9202010-1700 | 2 | |
| 12 | 803696140100 | Pipe Clamp Assembly | | 1 | |
| 13 | 730540000036 | Hydraulic Cylinder Oil Pipe(leg) | SWDM20G.040 | 1 | |
| 14 | 730540000037 | Hydraulic Cylinder Oil Pipe(leg) | SWDM20G.050 | 1 | |
| 15 | 803696140200 | Pipe Clamp Assembly | | 1 | |
| 16 | 751008000001 | Pipe Clamp | THPG2-220 | 4 | |
| 17 | 730540000038 | Steel Pipe | SWDM20G.060 | 1 | |
| 18 | 730540000038 | Steel Pipe | SWDM20G.060 | 1 | |
| 19 | 730502000672 | Rubber Hose | 701C91C202010-1000 | 2 | |



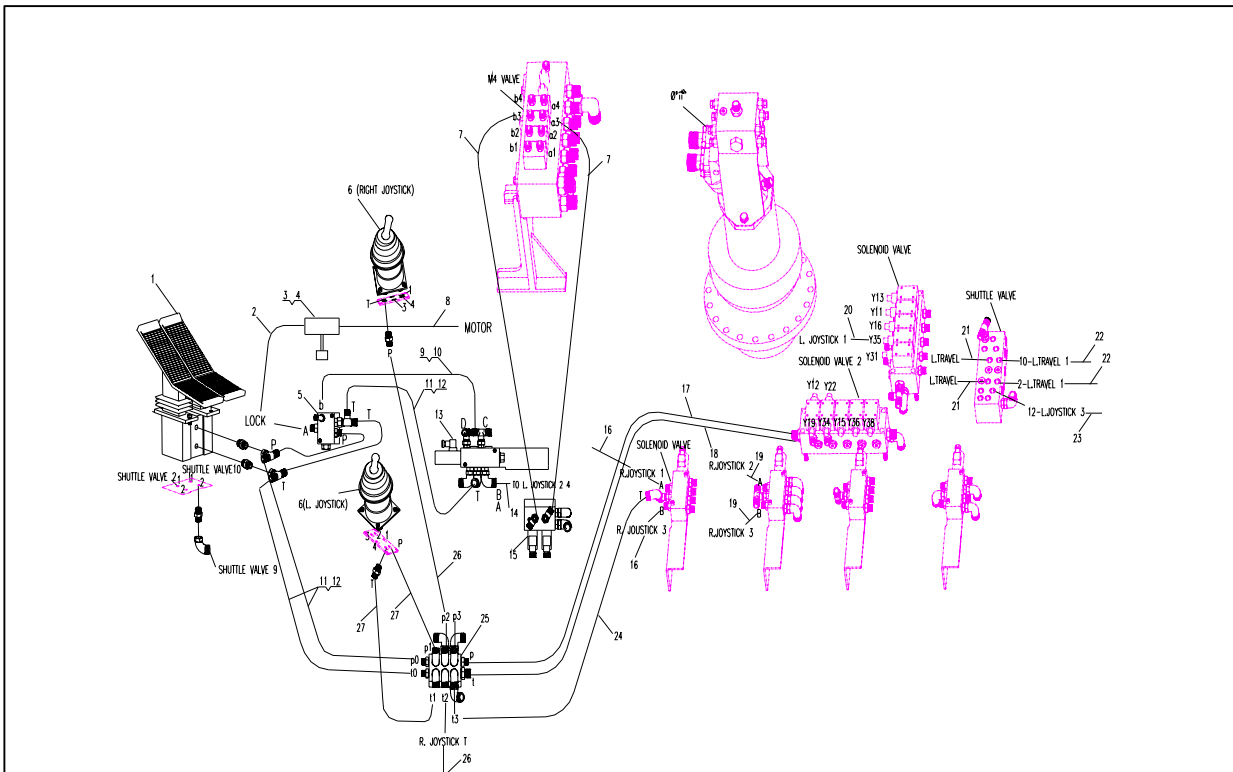
ARM HYDRAULIC OIL LINE ASSEMBLY

| ITEM | PART NUMBER | PART NAME | SPECIFICATION | QTY | REMARK |
|------|--------------|---|---------------------|-----|--------|
| 1 | 730001000123 | Parallelogram System Hydraulic Cylinder | D160/d110-1070 | 2 | |
| 2 | 730101000041 | Union | GE20SMEDOMDA3C | 2 | |
| 3 | 730102000012 | Elbow | EW20SOMDA3C | 8 | |
| 4 | 730502000604 | Rubber Hose | 7011CC9202010-1400 | 2 | |
| 5 | 730502000606 | Rubber Hose | 7011CC9202010-1500 | 2 | |
| 6 | 730540000042 | Steel Pipe | SWDM20G.100 | 2 | |
| 7 | 730540000043 | Steel Pipe | SWDM20G.110 | 2 | |
| 8 | 803696140300 | Cylinder Clamp | | 1 | |
| 9 | 730540000033 | Steel Pipe | SWDM20G.010 | 1 | |
| 10 | 730502000946 | Rubber Hose Assembly | F701C91C202010-1600 | 2 | |
| 11 | 730502000609 | Rubber Hose | 7011CC9202010-1800 | 2 | |
| 12 | 703202027001 | Washer | 27 JB982 | 2 | |
| 13 | 308010000022 | Union | M27-M30 | 2 | |
| 14 | 803696150200 | Cylinder Clamp | | 2 | |
| 15 | 730540000035 | Steel Pipe | SWDM20G.030 | 2 | |
| 16 | 730001000119 | Hydraulic Cylinder | 160X110-2080 | 2 | |
| 17 | 730199000022 | Connector | WH20SMKDSOMDA3C | 4 | |
| 18 | 751008000001 | Pipe Holder | THPG2-220 | 12 | |
| 19 | 730540000034 | Steel Pipe | SWDM20G.020 | 1 | |
| 20 | 803696150100 | Oil Distributor Installation | | 1 | |
| 21 | 302510000101 | Plate | | | |
| 22 | 730540000040 | Steel Pipe | SWDM20G.080 | 2 | |
| 23 | 730540000041 | Steel Pipe | SWDM20G.090 | 2 | |
| 24 | 730502000615 | Rubber Hose | 7311CC9252512-1170 | 1 | |
| 25 | 730502000616 | Rubber Hose | 7311CC9252512-1200 | 1 | |
| 26 | 730502000609 | Rubber Hose | 7011CC9202010-1800 | 2 | |
| 27 | 730502000608 | Rubber Hose | 7011CC9202010-1780 | 2 | |



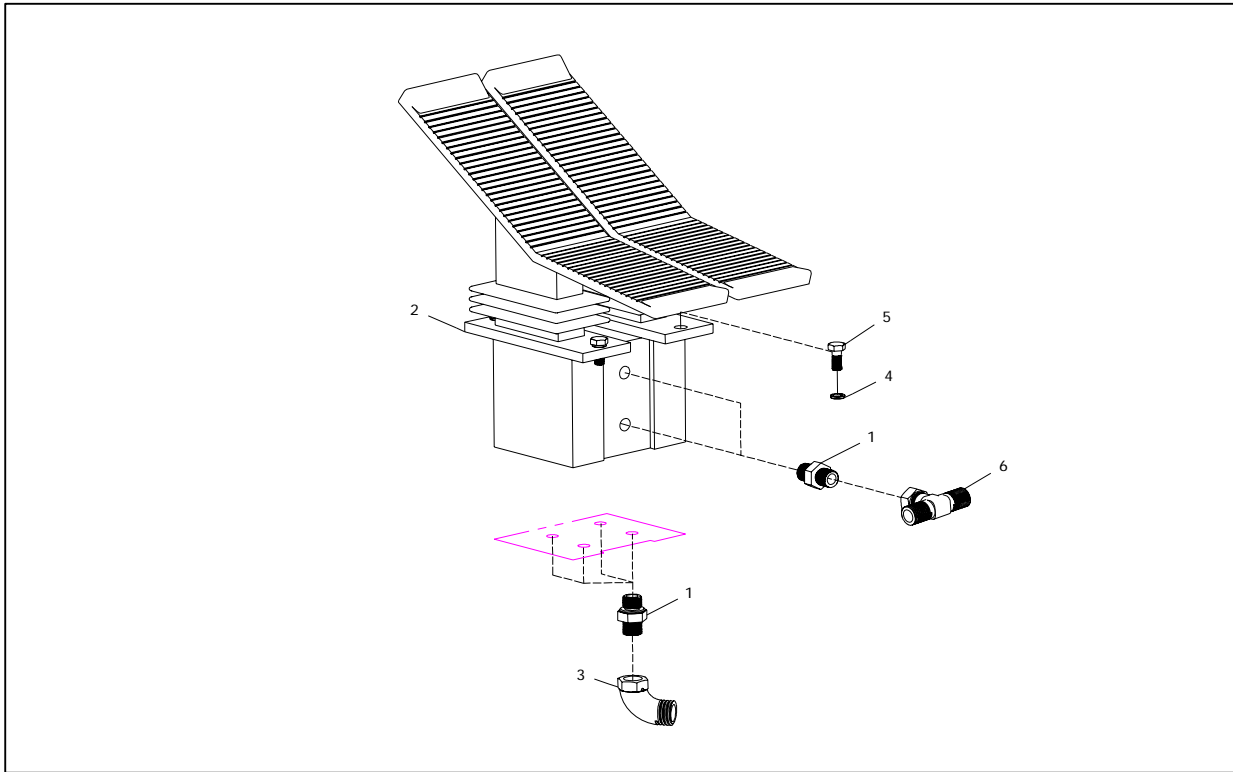
ARM HYDRAULIC OIL DISTRIBUTOR INSTALLATION

| ITEM | PART NUMBER | PART NAME | SPECIFICATION | QTY | REMARK |
|------|--------------|-----------------------|-----------------|-----|--------|
| 1 | 302510000100 | Frame | | 1 | |
| 2 | 307010502006 | Throttle Valve | | 1 | |
| 3 | 701302010012 | Socket Head Cap Screw | M10X60-8.8 GB70 | 2 | |
| 4 | 730101000040 | Union | GE25SMEDOMDA3C | 2 | |
| 5 | 730102000023 | Elbow | EW25SOMDA4C | 2 | |
| 6 | 730101000041 | Union | GE20SMEDOMDA3C | 4 | |



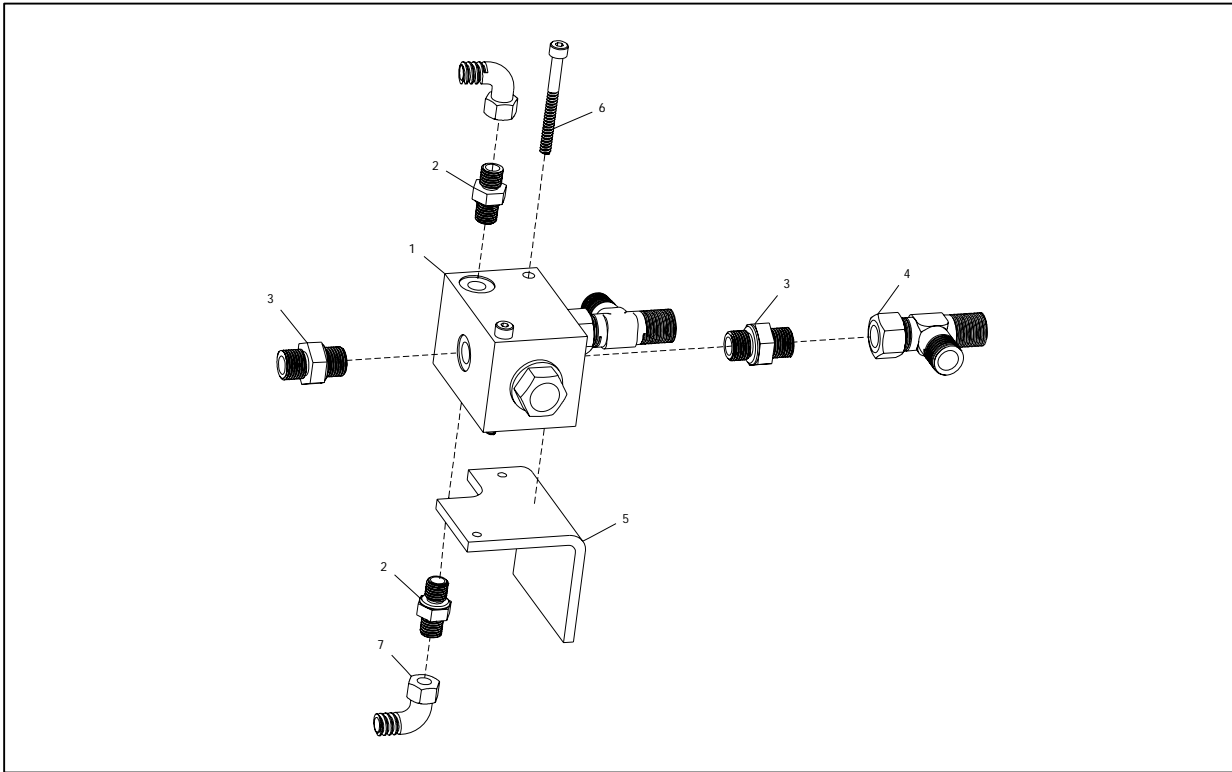
CAB PILOT LINE ASSEMBLY

| ITEM | PART NUMBER | PART NAME | SPECIFICATION | QTY | REMARK |
|------|--------------|--|---------------------|-----|--------|
| 1 | 803696160100 | Dual Pedal Pilot Valve Installation | | 1 | |
| 2 | 730501000219 | Rubber Hose | 481CACA080804-2200 | 1 | |
| 3 | 308010000051 | Union | R1/4-M14 | 1 | |
| 4 | 730311000005 | One-Way Throttle Valve | KC-02 | 1 | |
| 5 | 803696160200 | Shut-off Valve Installation | | 1 | |
| 6 | 803696160300 | L. R. Joystick Pilot Valve Installation | | 1 | |
| 7 | 730502000570 | Rubber Hose | 481CACF101005-3600 | 2 | |
| 8 | 730501000155 | Hose | F481CACA080804-260 | 1 | |
| 9 | 710102020036 | 20 Seamless Steel Pipe | TP8X1 | 3m | |
| 10 | 751103000015 | Nut | FM08LA3C | 8 | |
| 11 | 710102020001 | 20 Seamless Steel Pipe | TP10X1.5 | 5m | |
| 12 | 751103000002 | Nut | FM10LA3C | 14 | |
| 13 | 803696160400 | Electromagnetic Multi-directional Valve Installation | | 1 | |
| 14 | 730502000563 | Rubber Hose | 481CACF101005-1900 | 2 | |
| 15 | 803696160500 | Remote Control Valve Installation | | 1 | |
| 16 | 730501000226 | Rubber Hose | 481CACA101005-1800 | 2 | |
| 17 | 730501000229 | Rubber Hose | 481CACA101005-2700 | 1 | |
| 18 | 730501000276 | Rubber Hose | 481CACA151508-2700 | 1 | |
| 19 | 730501000228 | Rubber Hose | 481CACA101005-2600 | 2 | |
| 20 | 730502000572 | Rubber Hose | 481CACF101005-3900 | 1 | |
| 21 | 730502000831 | Rubber Hose | F481CACF101005-3790 | 2 | |
| 22 | 730501000331 | Rubber Hose | 481CACA10105-3940 | 2 | |
| 23 | 730501000330 | Rubber Hose | 481CACA10105-3650 | 1 | |
| 24 | 730501000223 | Rubber Hose | 481CACA101005-1500 | 1 | |
| 25 | 803696160800 | Pilot Oil Distributor Installation | | 1 | |
| 26 | 730501000225 | Rubber Hose | 481CACA101005-1650 | 2 | |
| 27 | 730501000224 | Rubber Hose | 481CACA101005-1550 | 2 | |



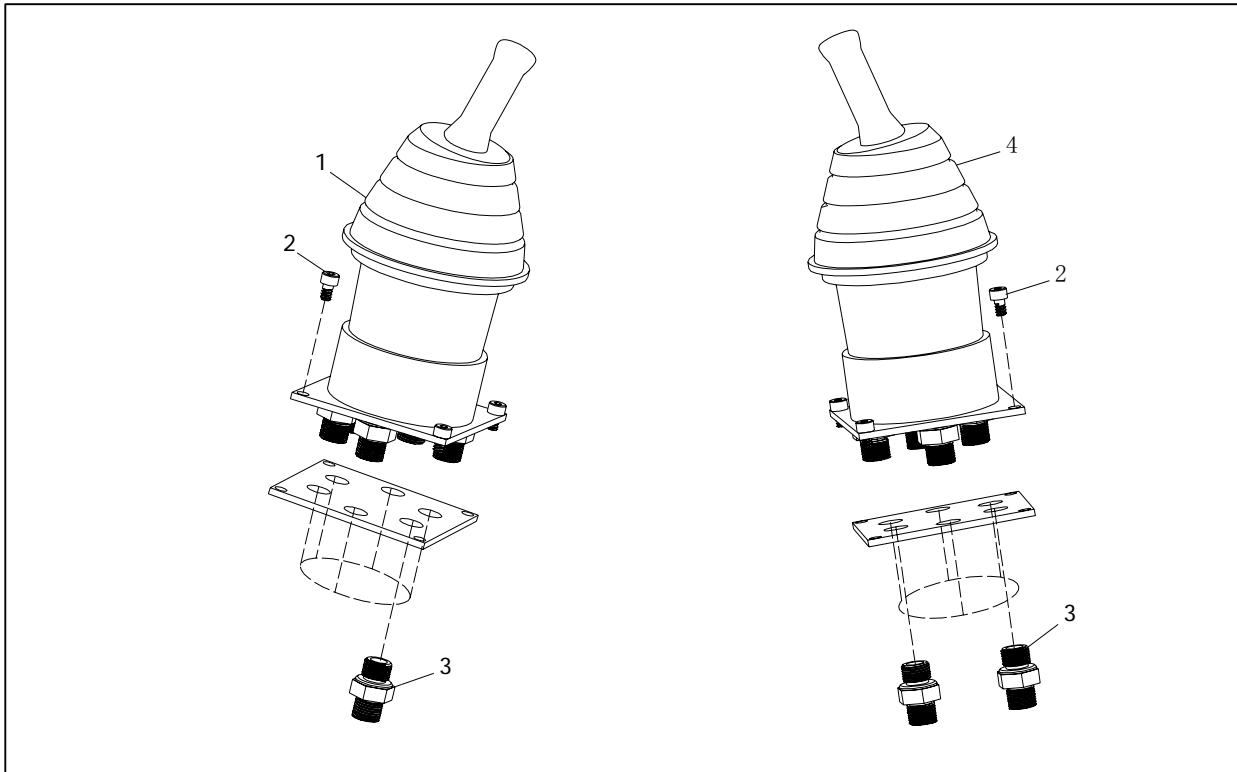
DUAL PEDAL PILOT VALVE INSTALLATION

| ITEM | PART NUMBER | PART NAME | SPECIFICATION | QTY | REMARK |
|------|--------------|-------------------|----------------------|-----|--------|
| 1 | 730101000010 | Union | GE10LREDOMDA3C | 6 | |
| 2 | 730309000035 | Dual Pedal Valve | JRCVP-A-2-02 | 1 | |
| 3 | 730102000015 | Elbow | EW10LOMDA3C4 | 4 | |
| 4 | 701510008001 | Lock Washer | 8-ZnD GB93 | 4 | |
| 5 | 701102008002 | Hexagon Cap Screw | M8X25-4.8-ZnD GB5781 | 4 | |
| 6 | 730104000018 | Tee | ET10LOMDA3C | 2 | |



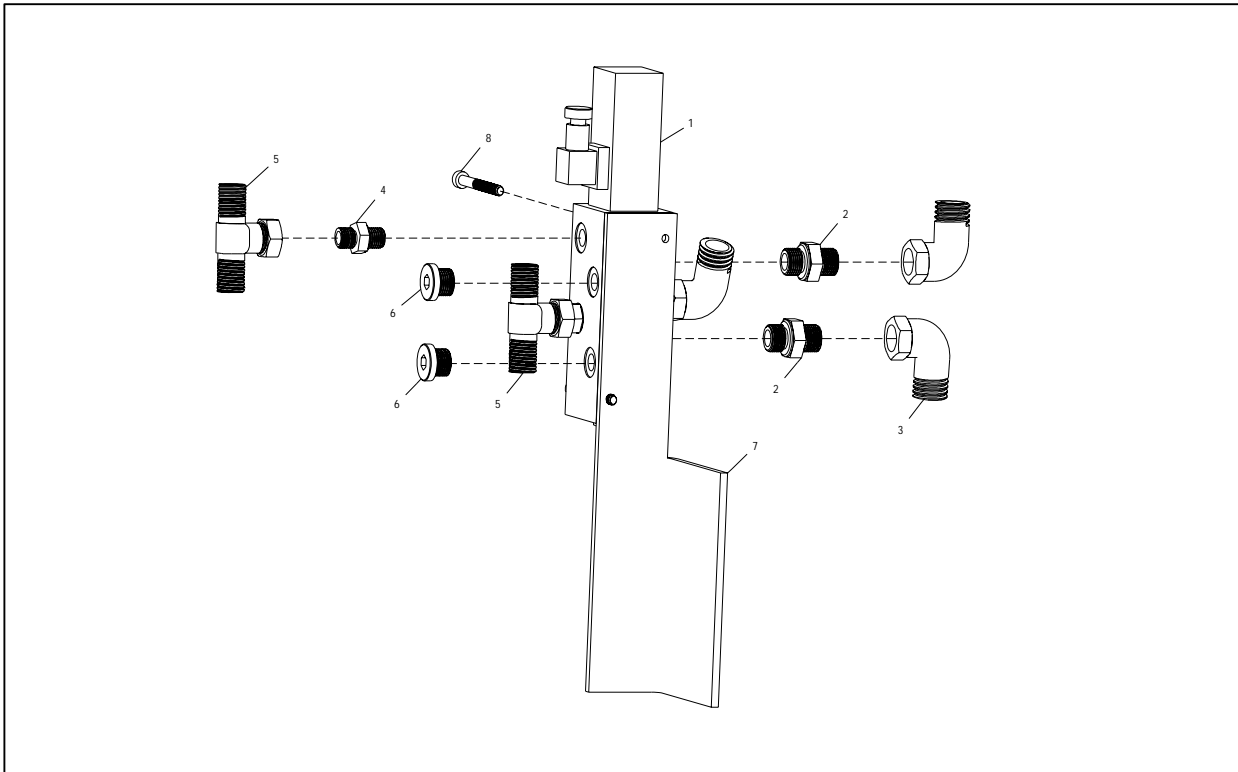
SHUT-OFF VALVE

| ITEM | PART NUMBER | PART NAME | SPECIFICATION | QTY | REMARK |
|------|--------------|-------------------------|--------------------|-----|--------|
| 1 | 730305000021 | Pilot Directional Valve | MH3WA06CG1X/004M01 | 1 | |
| 2 | 730101000079 | Union | GE08LREDDOMDA3C | 2 | |
| 3 | 730101000010 | Union | GE10LREDDOMDA3C | 3 | |
| 4 | 730104000023 | Tee | EL10LOMDA3C | 2 | |
| 5 | 302040000075 | Plate | | 1 | |
| 6 | 701302006018 | Socket Head Cap Screw | M6X65-8.8 GB70 | 2 | |
| 7 | 730102000010 | Elbow | EW08LOMDA3C | 2 | |



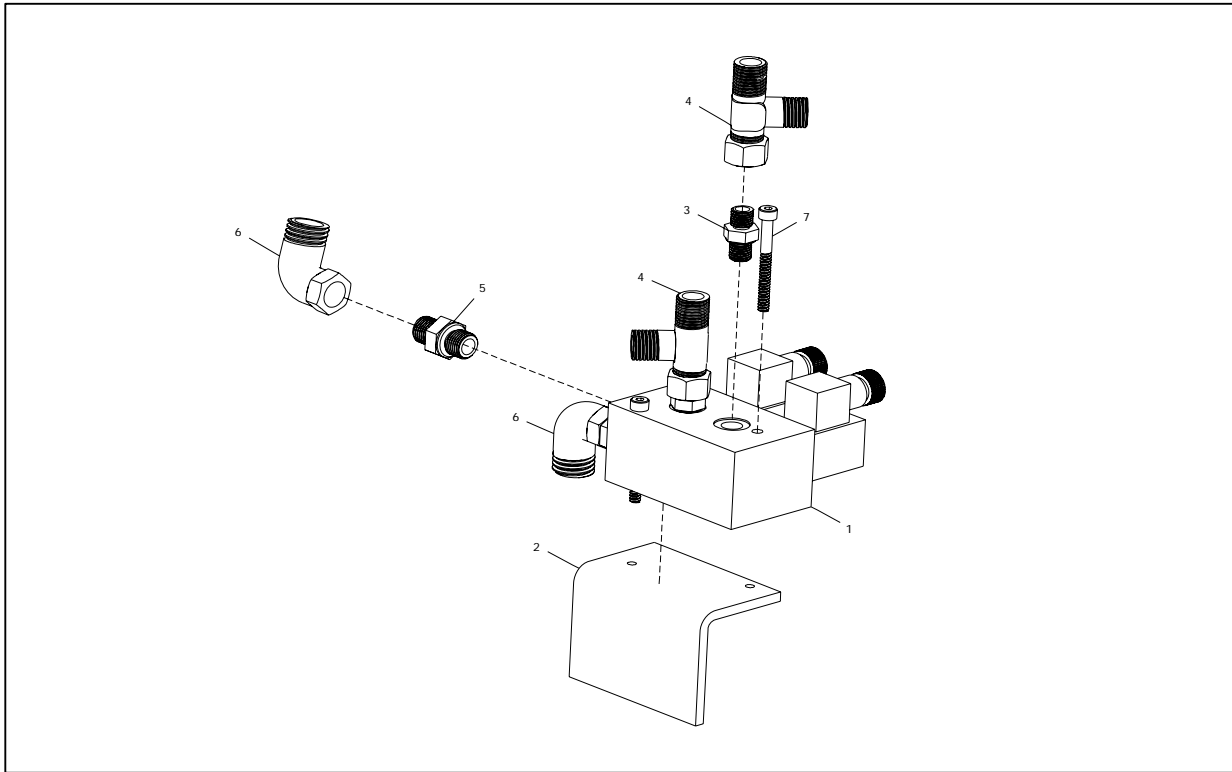
L.R. JOYSTICK PILOT VALVE INSTALLATION

| ITEM | PART NUMBER | PART NAME | SPECIFICATION | QTY | REMARK |
|------|--------------|-----------------------|----------------------------|-----|--------|
| 1 | 730309000061 | Left Pilot Valve | HC-RCX-04-A02-MA F02F-03R* | 1 | |
| 2 | 701309006001 | Socket Head Cap Screw | M6X10 GB818 | 8 | |
| 3 | 730101000010 | Union | GE10LREDOMDA3C | 12 | |
| 4 | 730309000062 | Right Pilot Valve | HC-RCX-04 A02 MAF02F00R4* | 1 | |



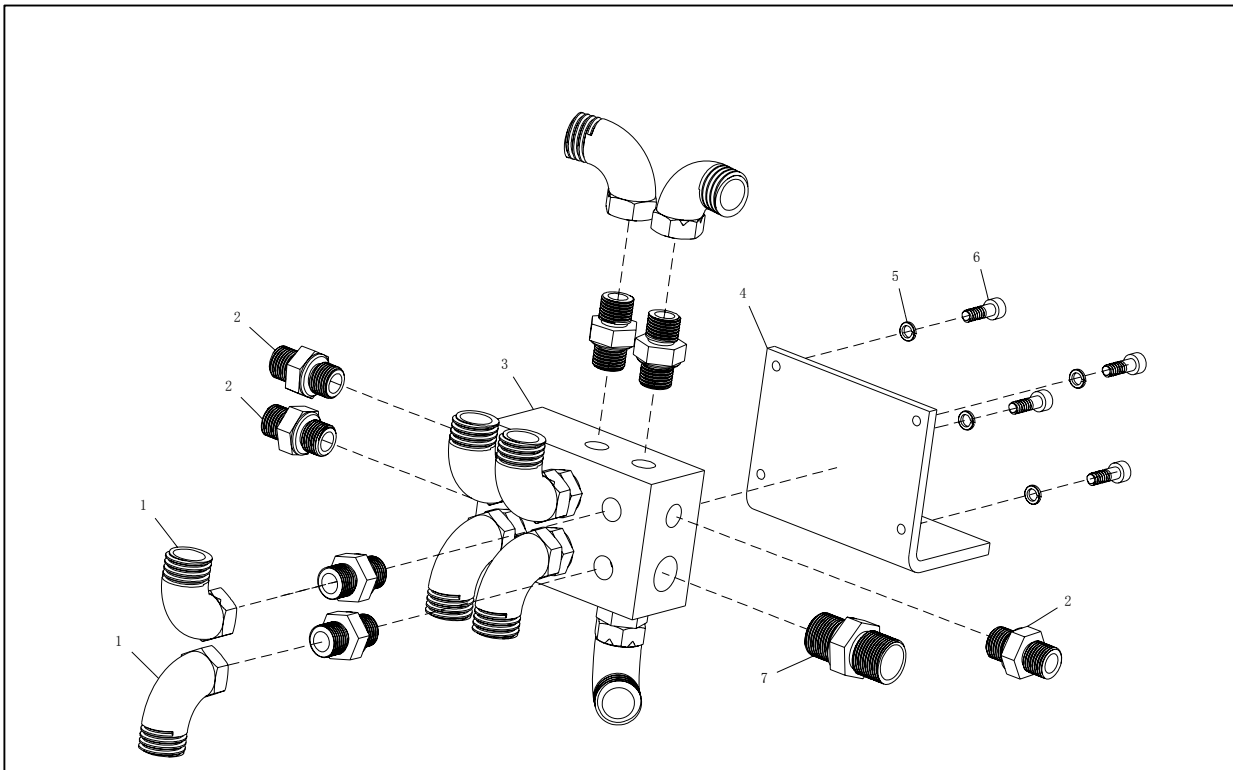
ELECTROMAGNETIC MULTI-DIRECTIONAL VALVE INSTALLATION

| ITEM | PART NUMBER | PART NAME | SPECIFICATION | QTY | REMARK |
|------|--------------|--------------------------------|------------------------|-----|--------|
| 1 | 730305000004 | Back Pressure Controlled Valve | MH7WE06AG1X/AG24NZ4MO1 | 1 | |
| 2 | 730101000010 | Union | GE10LREDDOMDA3C | 3 | |
| 3 | 730102000015 | Elbow | EW10LOMDA3C | 3 | |
| 4 | 730101000079 | Union | GE08LREDDOMDA3C | 2 | |
| 5 | 730104000017 | Tee | ET08LOMDA3C | 2 | |
| 6 | 739806000001 | Screw Plug | VST11/4EDA3C | 2 | |
| 7 | 302540000092 | Bracket | | 1 | |
| 8 | 701302006014 | Socket Head Cap Screw | M6X60-8.8 GB70 | 2 | |



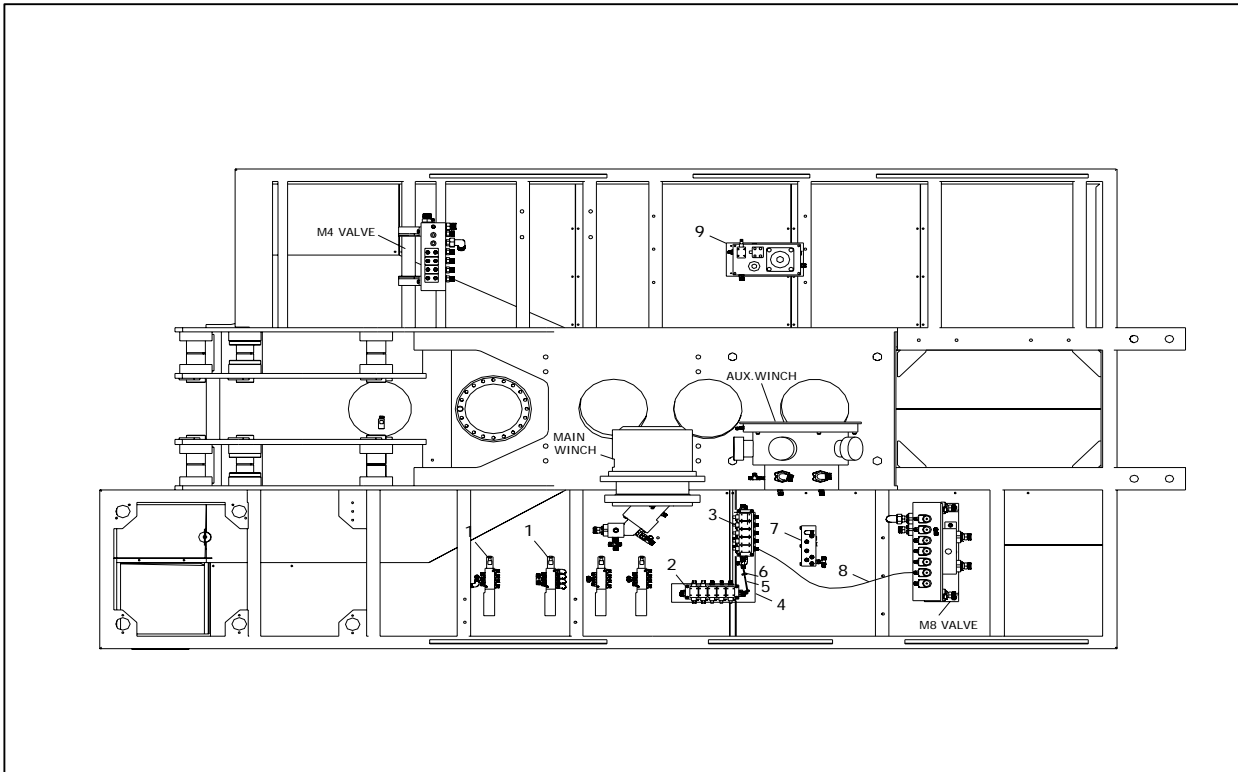
CONTROL VALVE

| ITEM | PART NUMBER | PART NAME | SPECIFICATION | QTY | REMARK |
|------|--------------|------------------------------------|--------------------------|-----|--------|
| 1 | 730399000017 | Proportional Pressure Relief Valve | MHFP04G2-1X/1BX30G24NK4M | 1 | |
| 2 | 302040000076 | Bracket | | 1 | |
| 3 | 730101000079 | Union | GE08LREDDOMDA3C | 2 | |
| 4 | 730104000028 | Tee | WV08LOMDA3C | 2 | |
| 5 | 730101000010 | Union | GE10LREDDOMDA3C | 2 | |
| 6 | 730102000015 | Elbow | EW10LOMDA3C | 2 | |
| 7 | 701302006018 | Socket Head Cap Screw | M6X65-8.8 GB70 | 2 | |



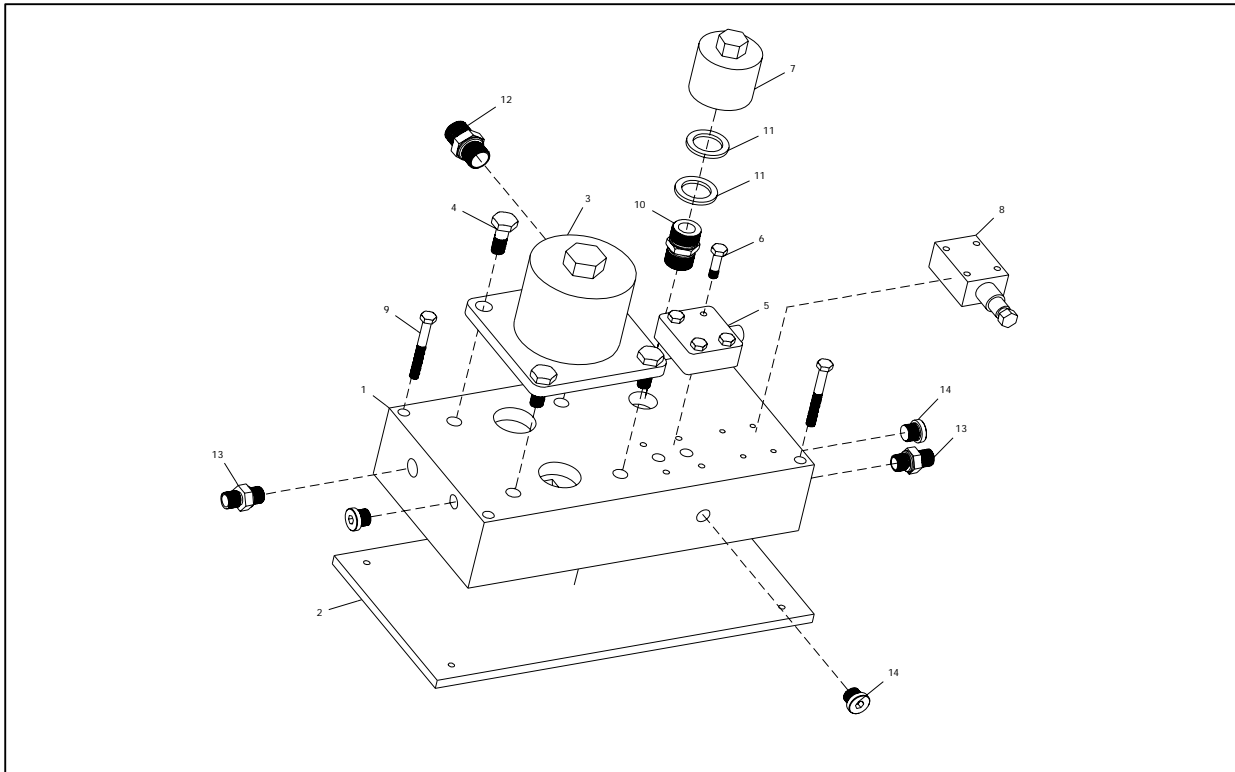
PILOT OIL DISTRIBUTOR INSTALLATION

| ITEM | PART NUMBER | PART NAME | SPECIFICATION | QTY | REMARK |
|------|--------------|-----------------------|----------------|-----|--------|
| 1 | 730102000015 | Elbow | EW10LOMDA3C | 9 | |
| 2 | 730101000005 | Union | GE10LMEDOMDA3C | 12 | |
| 3 | 307010502007 | Pilot Oil Distributor | SWDM20 | 1 | |
| 4 | 302040000078 | Bracket | | 1 | |
| 5 | 701510006001 | Lock Washer | 6 GB93 | 4 | |
| 6 | 701302006005 | Socket Head Cap Screw | M6X20-8.8 GB70 | 4 | |
| 7 | 730101000004 | Union | GE15LMEDOMDA3C | 1 | |



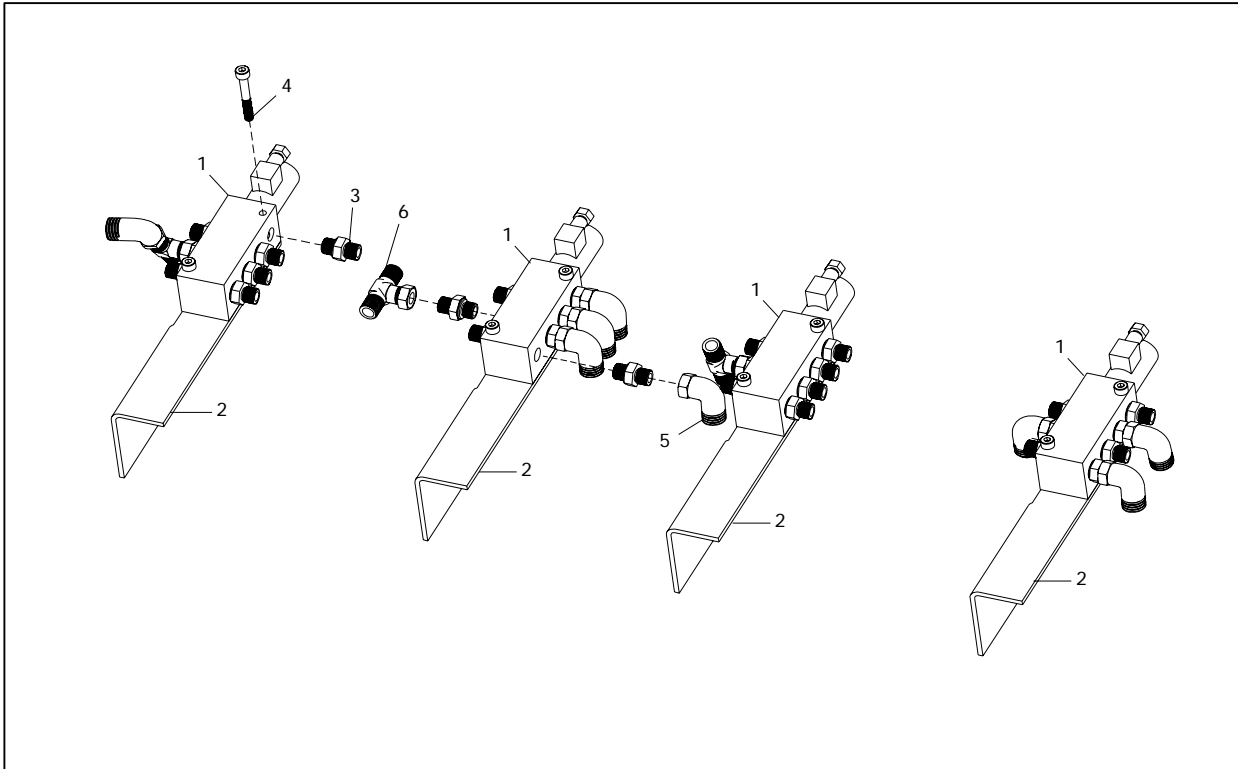
TURNTABLE PILOT LINE

| ITEM | PART NUMBER | PART NAME | SPECIFICATION | QTY | REMARK |
|------|--------------|--------------------------------------|---------------|-------|--------|
| 1 | 803696170200 | Multi-directional Valve Installation | | 4 | |
| 2 | 803696170300 | Solenoid Valve | | 1 | |
| 3 | 803696170400 | Solenoid Valve | | 1 | |
| 4 | 302040000050 | Solenoid Valve Plate | | 1 | |
| 5 | 710102020111 | Seamless Pipe | 15X2 | 0.25m | |
| 6 | 751103000005 | Nut | FM15LA3C | 2 | |
| 7 | 803696170500 | Shuttle Valve Installation | | 1 | |
| 8 | 803696170600 | Pilot Line Rubber Hose Assembly | | 1 | |
| 9 | 803696170100 | Pilot Hydraulic Oil Valve | | 1 | |



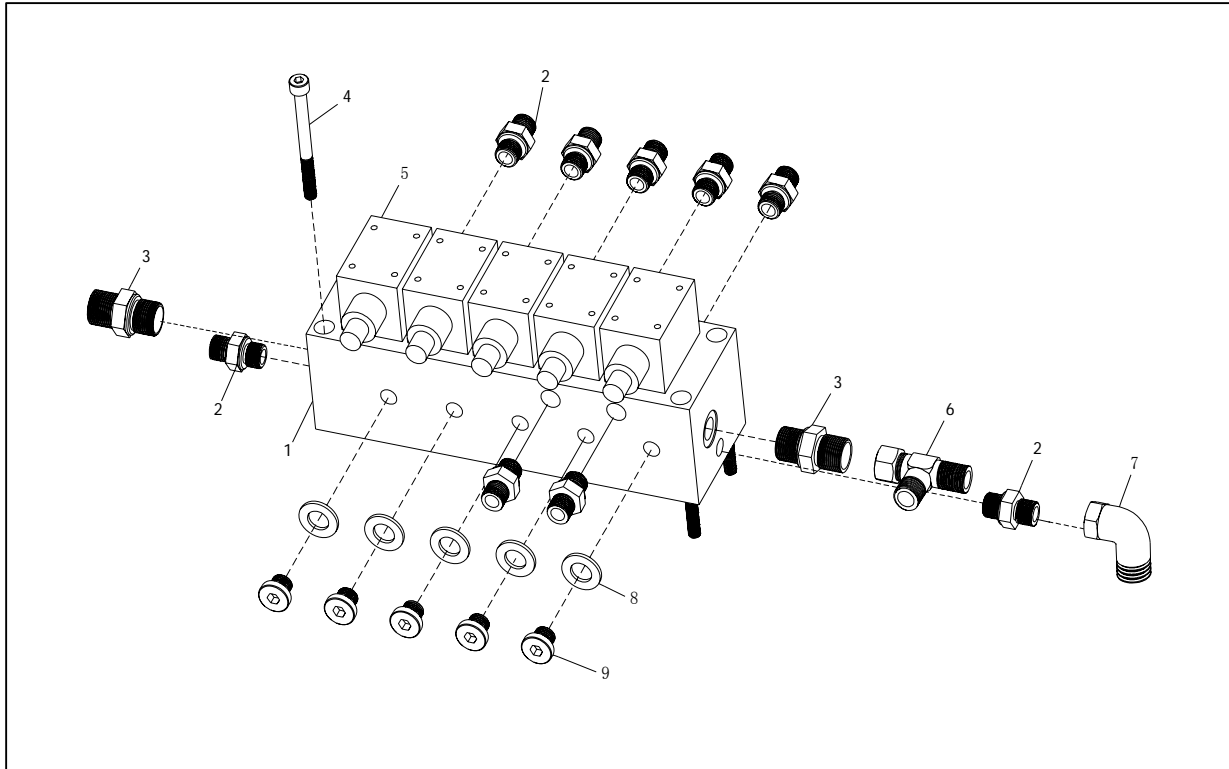
PILOT HYDRAULIC OIL VALVE

| ITEM | PART NUMBER | PART NAME | SPECIFICATION | QTY | REMARK |
|------|--------------|---------------------------|---------------------|-----|--------|
| 1 | 307010704008 | Pilot Hydraulic Oil Block | SWDM20 | 1 | |
| 2 | 302030000452 | Plate | | 1 | |
| 3 | 730401000065 | Pilot Filter | QUI-H40X20BD | 1 | |
| 4 | 701103012012 | Hexagon Cap Screw | M12X40-8.8 GB5782 | 4 | |
| 5 | 730301000038 | Check Valve | RVP12-10 | 1 | |
| 6 | 701103006009 | Hexagon Cap Screw | M6X35-8.8 GB5782 | 4 | |
| 7 | 739803000001 | Power Storage | NXQA-0.63/10L | 1 | |
| 8 | 730307000009 | Solenoid Valve | D1VW4CNJP | 1 | |
| 9 | 701103008006 | Hexagon Cap Screw | M8X75-8.8 GB5782 | 4 | |
| 10 | 308010304018 | Union | M27X2-M27X2 | 1 | |
| 11 | 703202027001 | Flat Washer | 27 JB982 | 2 | |
| 12 | 730101000004 | Union | GE15LMEDOMDA3C | 1 | |
| 13 | 730101000005 | Union | GE10LMEDOMDA3C | 2 | |
| 14 | 703266013201 | Screw Plug | YS4-G1/4A JB/ZQ4179 | 3 | |



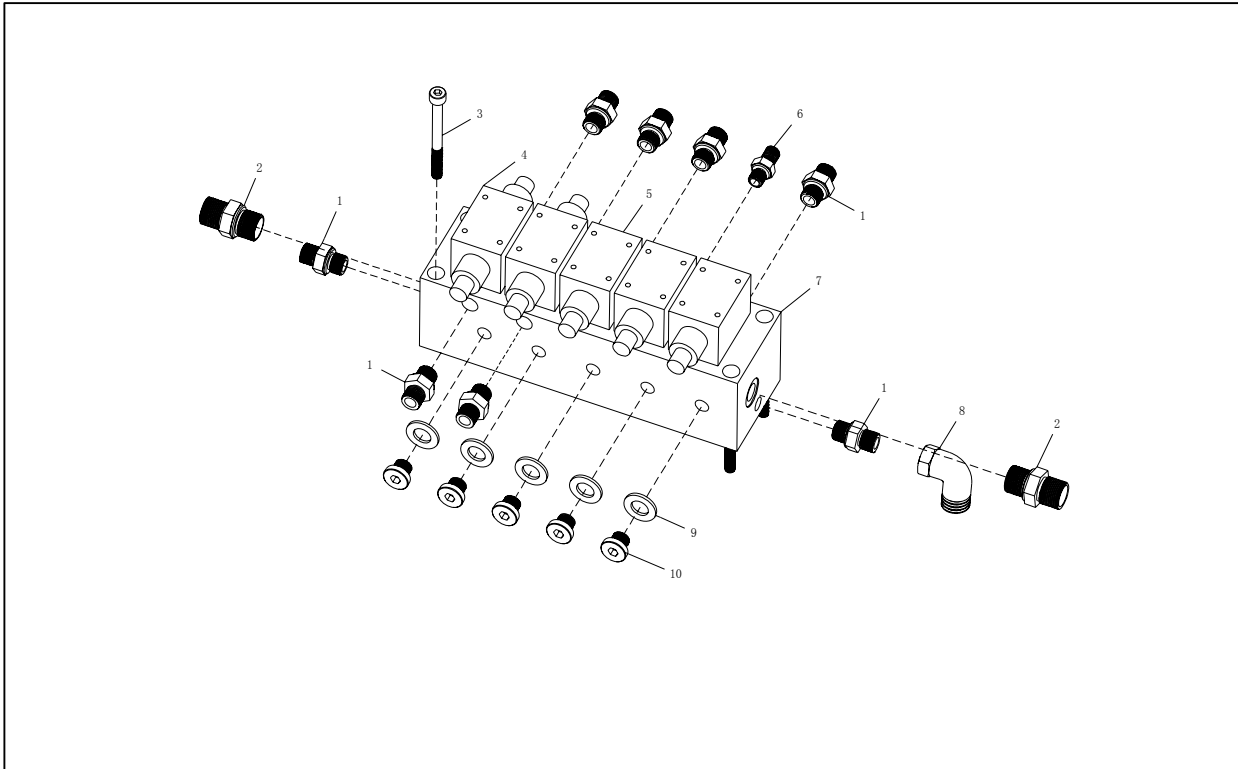
MULTI-DIRECTIONAL VALVE INSTALLATION

| ITEM | PART NUMBER | PART NAME | SPECIFICATION | QTY | REMARK |
|------|--------------|--------------------------------|------------------------|-----|--------|
| 1 | 730305000004 | Back Pressure Controlled Valve | MH7WE06AG1X/AG24NZ4MO1 | 4 | |
| 2 | 302540000092 | Bracket | | 4 | |
| 3 | 730101000010 | Union | GE10LREDDOMDA3C | 28 | |
| 4 | 701302006014 | Socket Head Cap Screw | M6X60-8.8 GB70 | 8 | |
| 5 | 730102000016 | Elbow | EW10LOMDA3C | 8 | |
| 6 | 730104000023 | Tee | EL10LOMDA3C | 3 | |



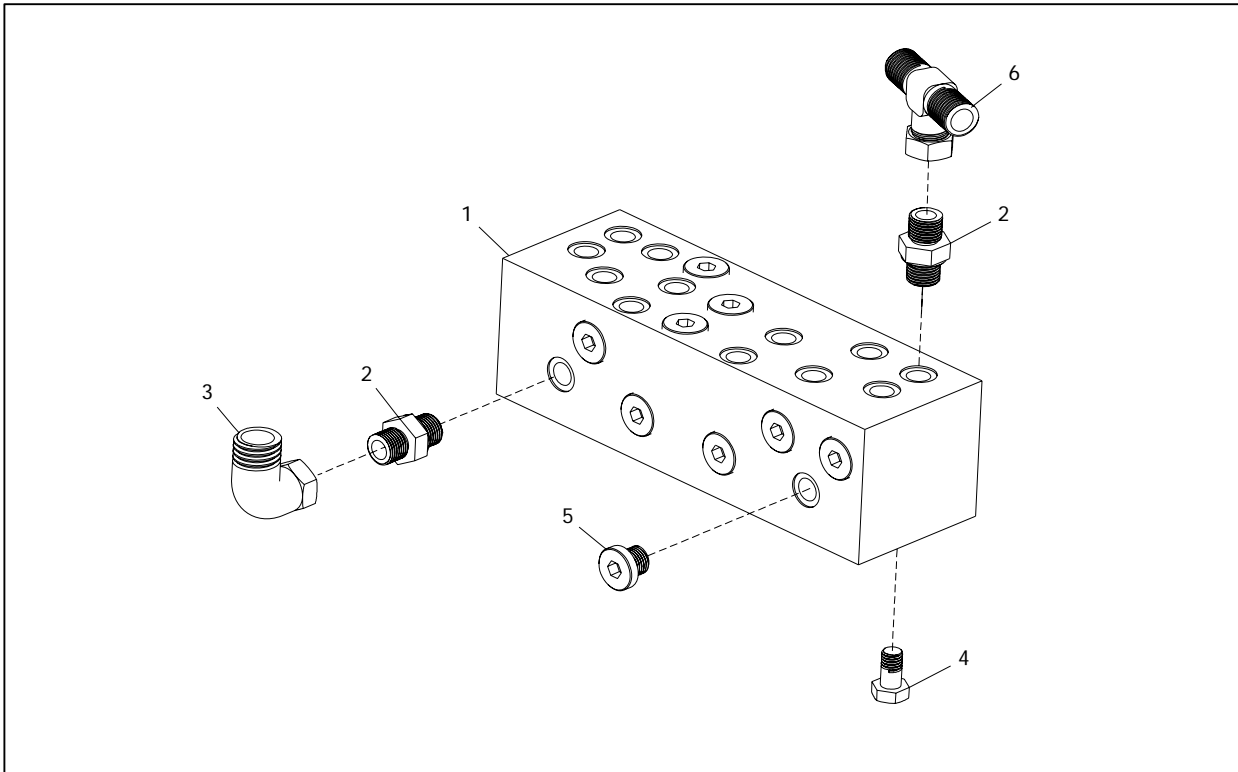
SOLENOID VALVE BANK

| ITEM | PART NUMBER | PART NAME | SPECIFICATION | QTY | REMARK |
|------|--------------|--|------------------|-----|--------|
| 1 | 307010604017 | Solenoid Valve | SWDM20 | 1 | |
| 2 | 730101000005 | Union | GE10LMEDOMDA3C | 9 | |
| 3 | 730101000004 | Union | GE15LMEDOMDA3C | 2 | |
| 4 | 701302008011 | Socket Head Cap Screw | M8X90-8.8 GB70 | 4 | |
| 5 | 730305000020 | Electric Controlled, Hyd. Operated Directional Valve | D1VW20HNJP | 5 | |
| 6 | 730104000022 | Tee | EL15LOMDA3C | 1 | |
| 7 | 730102000015 | Elbow | EW10LOMDA3C | 1 | |
| 8 | 703202014002 | Nut | 14 JB982 | 5 | |
| 9 | 703206014001 | Screw Plug | M14X1.5 GB1001.3 | 5 | |



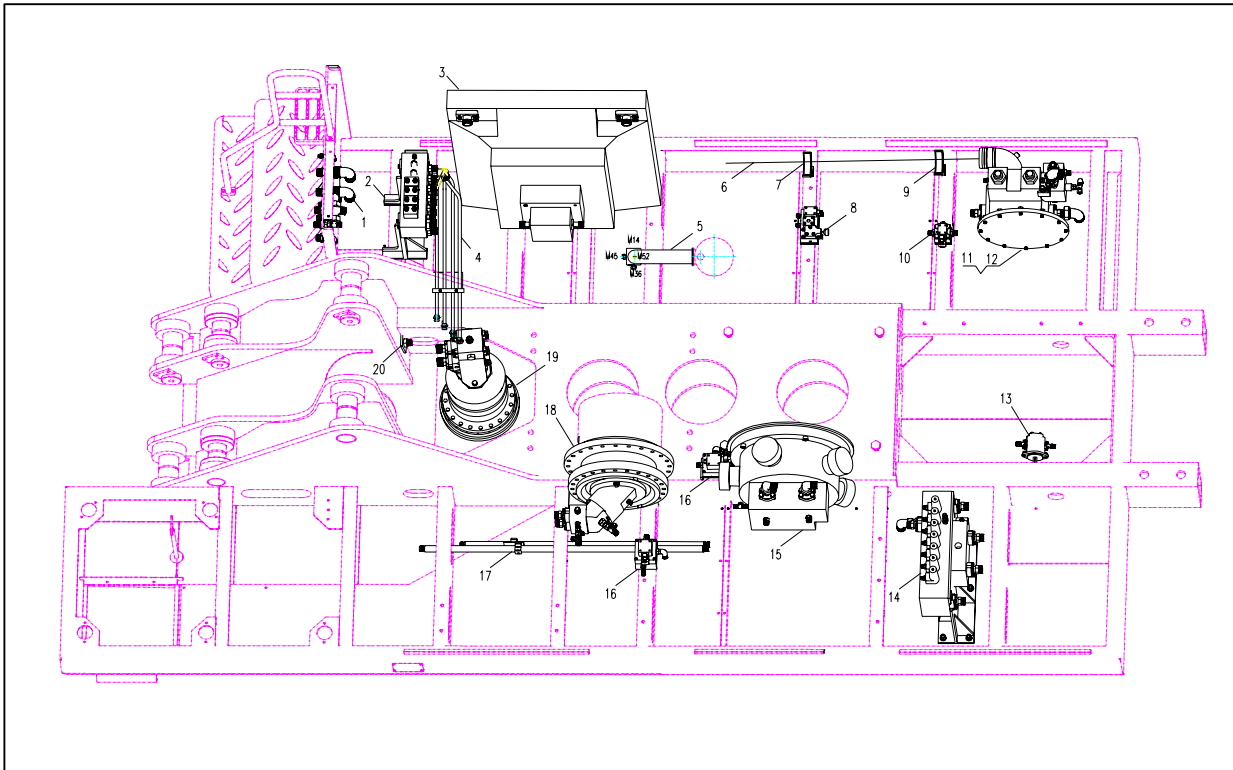
SOLENOID VALVE BANK

| ITEM | PART NUMBER | PART NAME | SPECIFICATION | QTY | REMARK |
|------|--------------|---|------------------|-----|--------|
| 1 | 730101000005 | Union | GE10LMEDOMDA3C | 8 | |
| 2 | 730101000004 | Union | GE15LMEDOMDA3C | 2 | |
| 3 | 701302008011 | Socket Head Cap Screw | M8X90-8.8 GB70 | 4 | |
| 4 | 730307000009 | Solenoid Valve | D1VW4CNJP | 2 | |
| 5 | 730305000020 | Electric Controlled Hyd. Operated Directional Control Valve | D1VW20HNJP | 3 | |
| 6 | 730101000055 | Union | GE08LMEDOMDA3C | 1 | |
| 7 | 307010604018 | Solenoid Valve Block | SWDM20 | 1 | |
| 8 | 730102000015 | Elbow | EW10LOMDA3C1 | 1 | |
| 9 | 703202014002 | Nut | JB982 | 5 | |
| 10 | 703206014001 | Screw Plug | M14X1.5 GB1001.3 | 1 | |



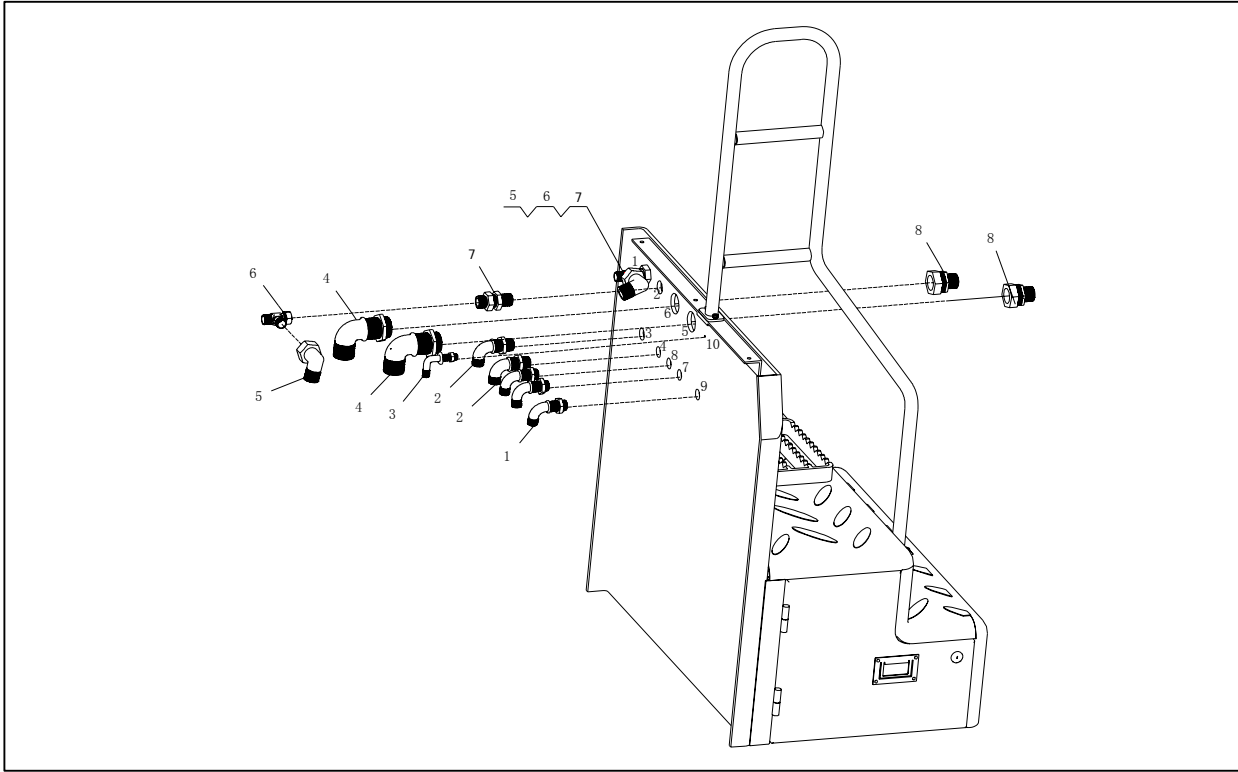
SHUTTLE VALVE

| ITEM | PART NUMBER | PART NAME | SPECIFICATION | QTY | REMARK |
|------|--------------|------------------------|---------------------|-----|--------|
| 1 | 73030800007 | LS Shuttle Valve Block | R90002S710 | 1 | |
| 2 | 730101000010 | Union | GE10LREDDOMDA3C | 13 | |
| 3 | 730102000015 | Elbow | EW10LOMDA3C | 1 | |
| 4 | 701103010002 | Hexagon Cap Screw | M10X25-8.8 GB5782 | 3 | |
| 5 | 703266013201 | Crew Plug | YS4-G1/4A JB/ZQ4179 | 9 | |
| 6 | 730104000023 | Tee | EL10LOMDA3C | 12 | |



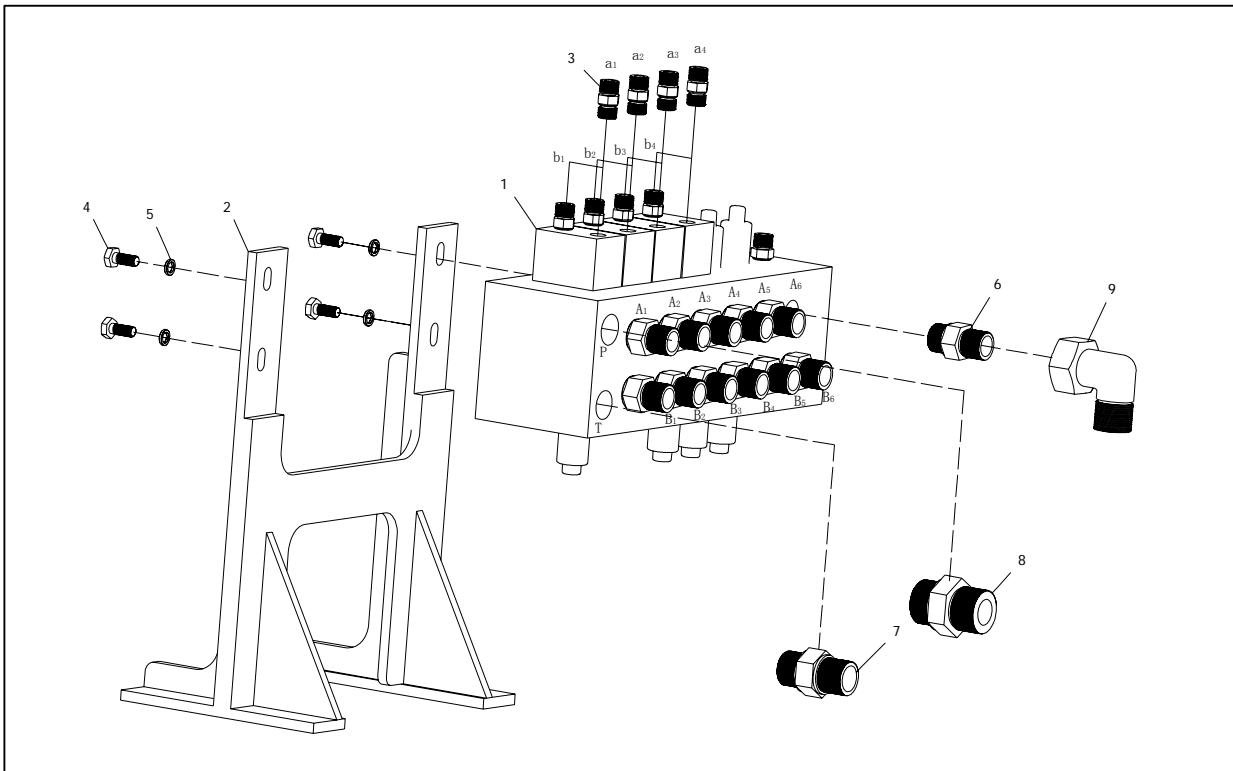
TURNTABLE MAIN HYDRAULIC LINE ASSEMBLY

| ITEM | PART NUMBER | PART NAME | SPECIFICATION | QTY | REMARK |
|------|--------------|-------------------------------------|---------------|-----|--------|
| 1 | 803696180100 | Tool Box Connector Assembly | | 1 | |
| 2 | 803696180200 | M4 Valve Installation Assembly | | 1 | |
| 3 | 803696180300 | Radiator | | 1 | |
| 4 | 803696180800 | L.R. Tilting Steel Pipe Assembly | | 1 | |
| 5 | 730540000052 | Oil Return Pipe | Shanhe01 | 1 | |
| 6 | 803696181500 | Rubber Hose Assembly | | 1 | |
| 7 | 803696181900 | Oil Suction Pipe Support | | 1 | |
| 8 | 803696180500 | Lubrication Shift Valve | | 1 | |
| 9 | 803696182000 | Oil Suction Pipe Support | | 1 | |
| 10 | 803696180600 | Electromagnetic Overflow Valve | | 1 | |
| 11 | 803696180700 | Pump | | 1 | |
| 12 | 701901135001 | Hose Clamp | 6X JB/T8870 | 4 | |
| 13 | 803696181800 | Lubrication Pump | | 1 | |
| 14 | 803696181700 | M8 Valve Installation | | 1 | |
| 15 | 803696181600 | Aux. Winch Installation | | 1 | |
| 16 | 803696181400 | Pressure Fluctuation Solenoid Valve | | 2 | |
| 17 | 803696181100 | Steel Pipe | | 1 | |
| 18 | 803696181300 | Main Winch Motor | | 1 | |
| 19 | 803696181200 | Motor Installation | | 1 | |
| 20 | 803696181000 | Connector Installation | | 2 | |



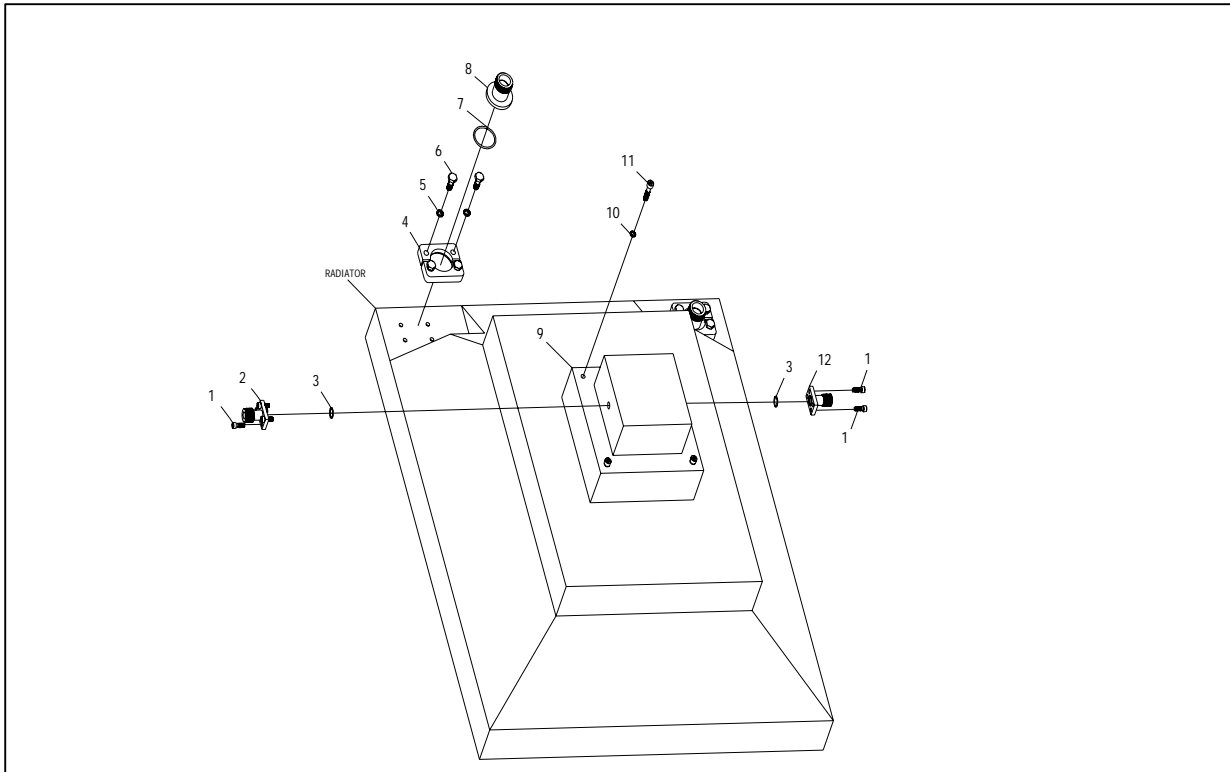
TOOL BOX CONNECTOR ASSEMBLY

| ITEM | PART NUMBER | PART NAME | SPECIFICATION | QTY | REMARK |
|------|--------------|------------------|-----------------|-----|--------|
| 1 | 730103000006 | Elbow | WSV18LOMDA3C | 3 | |
| 2 | 730103000004 | Elbow | WSV20SOMDA3C | 2 | |
| 3 | 730103000007 | Elbow | WSV10LOMDA3C | 1 | |
| 4 | 730103000005 | Elbow | WSV38SOMDA3C | 2 | |
| 5 | 730102000012 | Elbow | EW20SOMDA3C | 2 | |
| 6 | 730104000024 | Tee | EL20SOMDA3C | 2 | |
| 7 | 730101000037 | Union | SV20SOMDA3C | 2 | |
| 8 | 730101000149 | Union Cross Over | RED38/30SOMDA3C | 2 | |



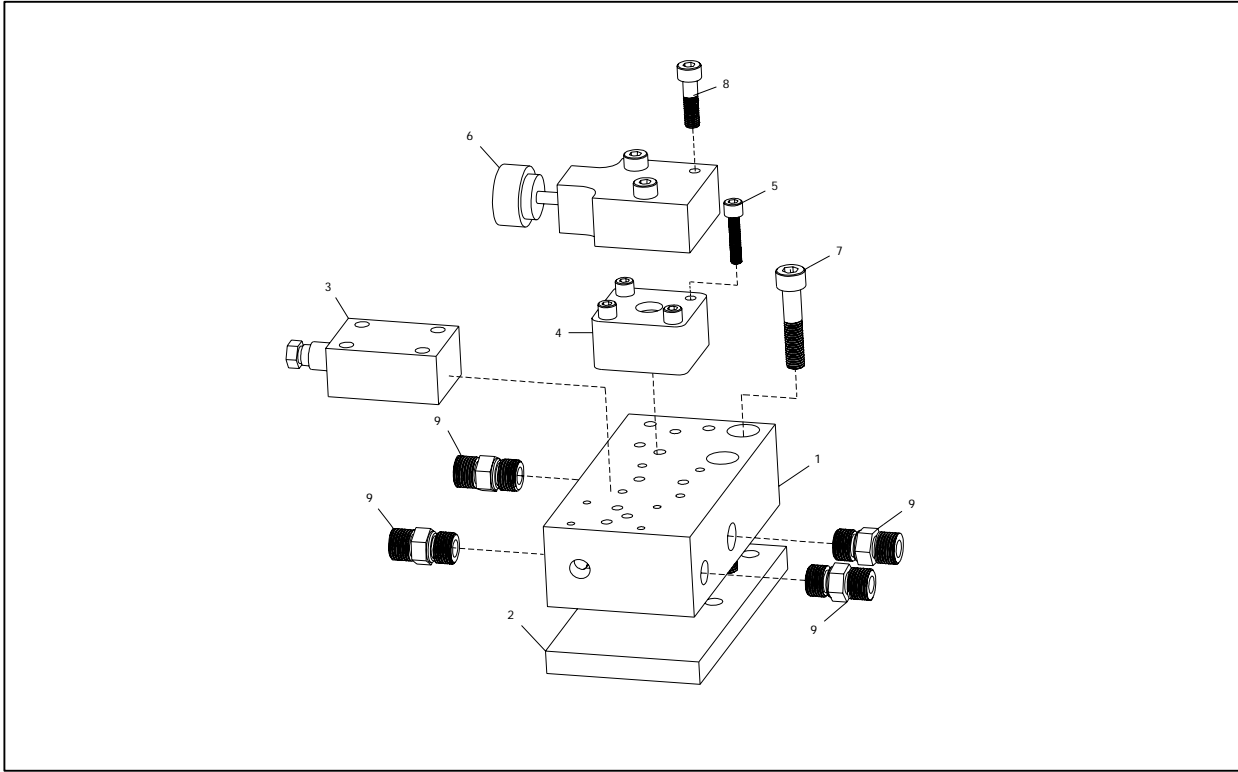
M4 VALVE ASSEMBLY

| ITEM | PART NUMBER | PART NAME | SPECIFICATION | QTY | REMARK |
|------|--------------|-------------------|-------------------|-----|--------|
| 1 | 730301000037 | Control Valve | M8-1356-00/7M8-22 | 1 | |
| 2 | 803696180210 | M4 Valve Bracket | | 1 | |
| 3 | 730101000010 | Union | GE10LREDOMDA3C | 10 | |
| 4 | 701103010002 | Hexagon Cap Screw | M10X25-8.8 GB5782 | 4 | |
| 5 | 701510010001 | Lock Washer | 10-ZnD GB93 | 4 | |
| 6 | 730101000024 | Union | GE20SREDOMDA3C | 12 | |
| 7 | 730101000025 | Union | GE28LREDOMDA3C | 1 | |
| 8 | 730101000163 | Union | GE30SR1EDOMDA3C | 1 | |
| 9 | 730102000012 | Elbow | EW20SOMDA3C | 4 | |



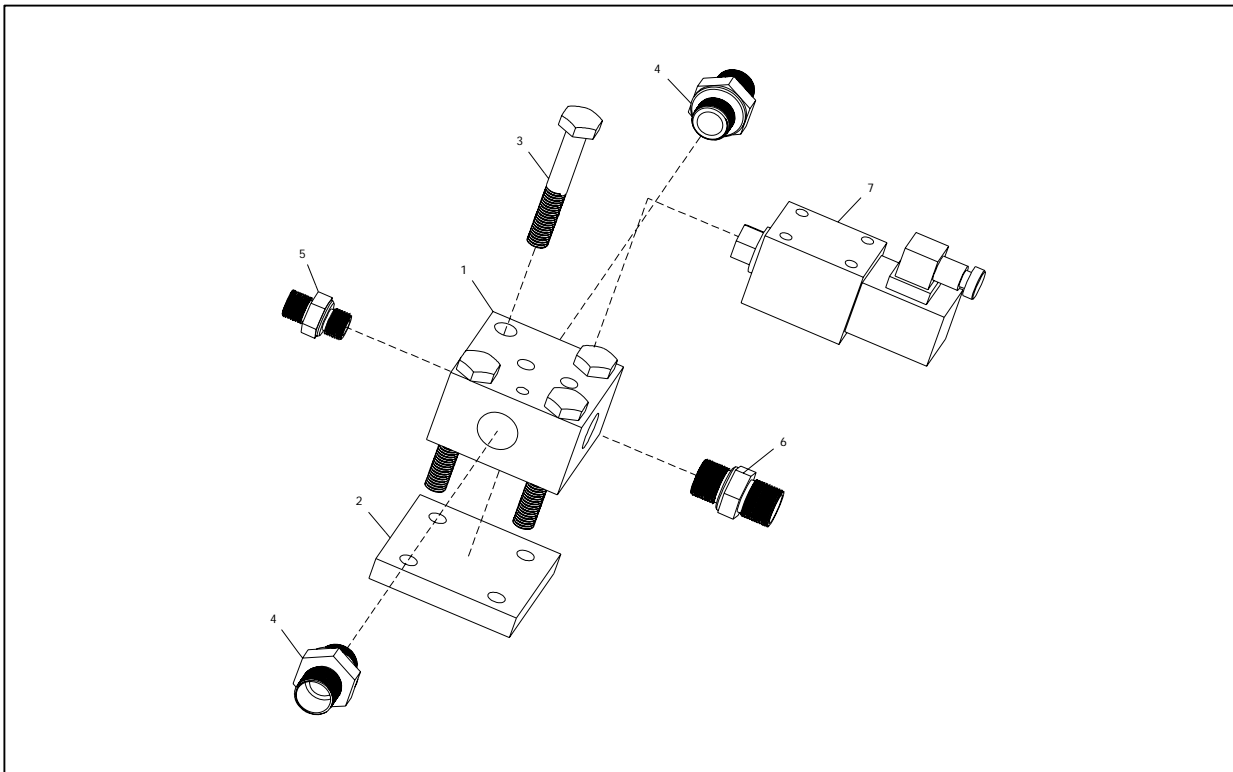
RADIATOR ASSEMBLY

| ITEM | PART NUMBER | PART NAME | SPECIFICATION | QTY | REMARK |
|------|--------------|-----------------------|-------------------|-----|--------|
| 1 | 701302008004 | Socket Head Cap Screw | M8X25-8.8 GB70 | 8 | |
| 2 | 308010000009 | Flange Connector | M26X1.5 | 1 | |
| 3 | 703201020003 | O-ring | 20X1.8 GB3452.1 | 2 | |
| 4 | 305020000009 | Flange | | 2 | |
| 5 | 701510012001 | Lock Washer | 12 GB93 | 8 | |
| 6 | 701104012012 | Hexagon Cap Screw | M12X40-8.8 GB5783 | 8 | |
| 7 | 703201056001 | O-ring | 56X3.55 GB3452.1 | 1 | |
| 8 | 308010000010 | Flange Connector | M45X2 | 1 | |
| 9 | 730250000044 | Condenser Motor | YLZ-500 | 1 | |
| 10 | 701510010001 | Lock Washer | 10-ZnD GB93 | 4 | |
| 11 | 701302010009 | Socket Head Cap Screw | M10X45-8.8 GB70 | 4 | |
| 12 | 308010000008 | Flange Connector | M30X2 | 1 | |



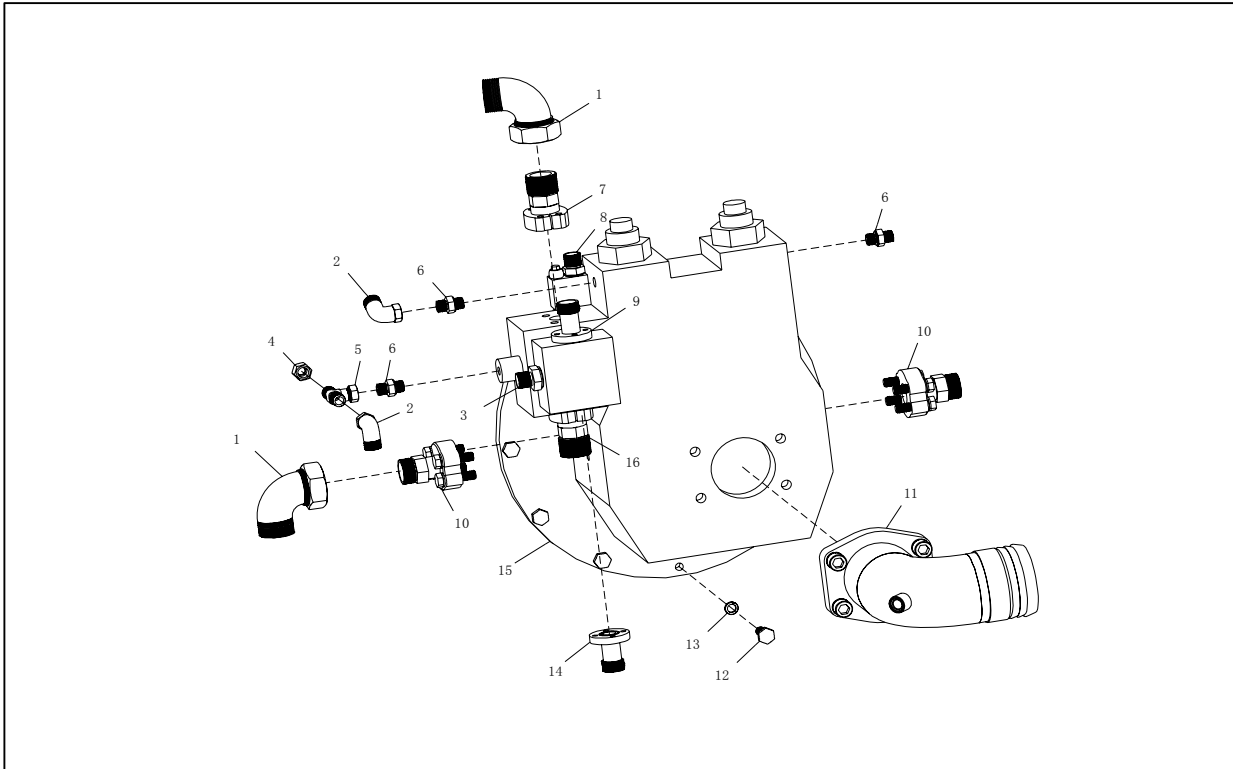
LUBRICATION GEAR SHIFT VALVE

| ITEM | PART NUMBER | PART NAME | SPECIFICATION | QTY | REMARK |
|------|--------------|---|-----------------|-----|--------|
| 1 | 307010503005 | Lubrication Gear Shift Valve Block | SWDM20 | 1 | |
| 2 | 302030000426 | Plate | | 1 | |
| 3 | 730305000020 | Electric Controlled Hydraulic Operated Directional Contro | D1VW20HNJP | 1 | |
| 4 | 730311000001 | One Way Throttle Valve | DVP10 | 1 | |
| 5 | 701302006007 | Socket Head Cap Screw | M6X25-8.8 GB70 | 4 | |
| 6 | 730303000021 | Overflow Valve | P-B10B | 1 | |
| 7 | 701302010010 | Socket Head Cap Screw | M10X50-8.8 GB70 | 2 | |
| 8 | 701302080013 | Socket Head Cap Screw | M8X50-8.8 GB70 | 3 | |
| 9 | 730101000005 | Union | GE10LMEDOMDA3C | 4 | |



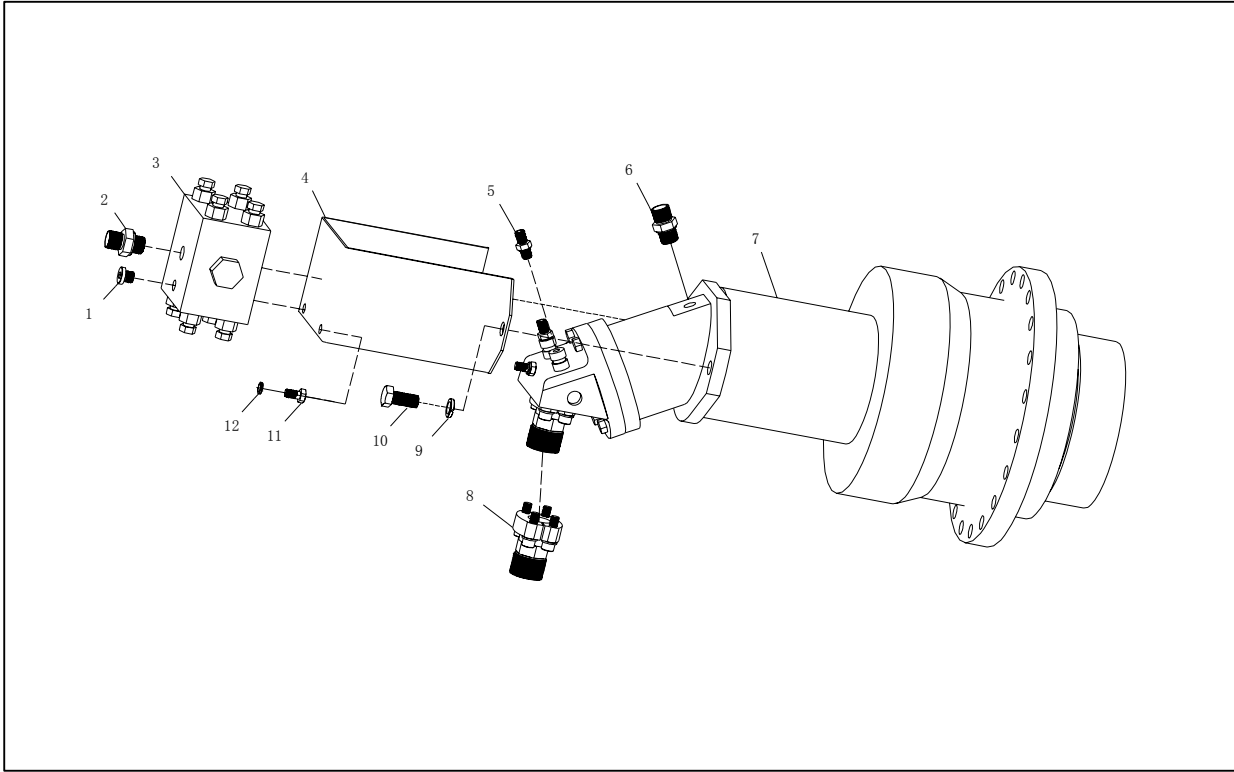
ELECTROMAGNETISM OVERFLOW VALVE

| ITEM | PART NUMBER | PART NAME | SPECIFICATION | QTY | REMARK |
|------|--------------|--------------------------------------|--------------------------|-----|--------|
| 1 | 307010501004 | Electromagnetic Overflow Valve Block | SWDM20 | 1 | |
| 2 | 302030000428 | Plate | | 1 | |
| 3 | 701104012004 | Hexagon Cap Screw | M12X90-8.8 GB5783 | 4 | |
| 4 | 730101000041 | Union | GE20SMEDOMDA3C | 2 | |
| 5 | 730101000010 | Union | GE10LREDDOMDA3C | 1 | |
| 6 | 730101000016 | Union | GE18LMEDOMDA3C | 1 | |
| 7 | 730303000014 | Pilot Overflow Valve | DBW10A3-5X/315-6EG24N9K4 | 1 | |



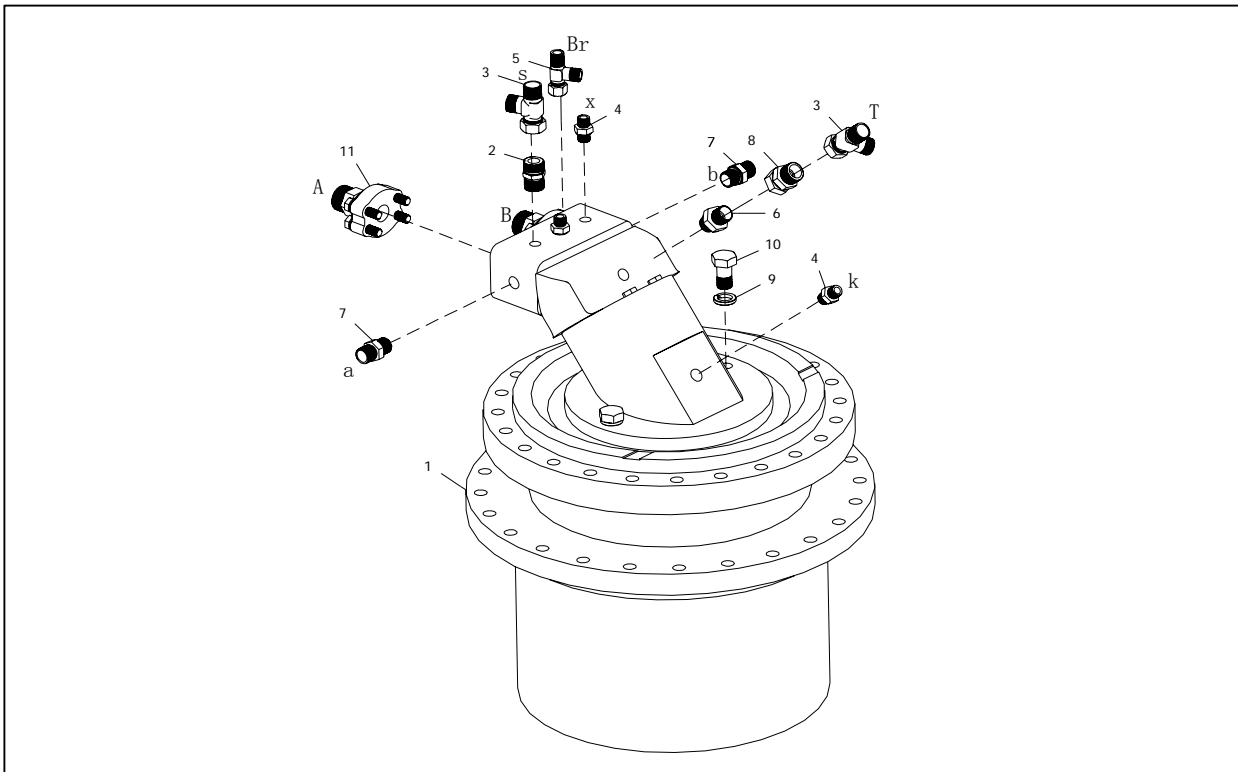
PUMP

| ITEM | PART NUMBER | PART NAME | SPECIFICATION | QTY | REMARK |
|------|--------------|--|----------------------|-----|--------|
| 1 | 730102000024 | Elbow | EW30SOMDA3C | 2 | |
| 2 | 730102000015 | Elbow | EW10LOMDA3C | 2 | |
| 3 | 730101000127 | Union | GE22LM22X1.5EDOMDA3C | 1 | |
| 4 | 751103000002 | Nut | FM10LA3C | 4 | |
| 5 | 730104000018 | Tee | ET10LOMDA3C | 1 | |
| 6 | 730101000005 | Union | GE10LMEDOMDA3C | 3 | |
| 7 | 730101000125 | Flange Connector | GFS34/30SOMDA3C | | |
| 8 | 730101000004 | Union | GE15LMEDOMDA3C | 1 | |
| 9 | 308010000013 | Flange Connector | M30X2 | 1 | |
| 10 | 730101000124 | Flange Connector Block | GFS64/30SOMDA3C2 | | |
| 11 | 803696040110 | Oil Suction Pump Connector | A8V107 | 1 | |
| 12 | 701103010005 | Hexagon Cap Screw | M10X40-8.8 GB5782 | 12 | |
| 13 | 701510010001 | Lock Washer | 10-ZnD GB93 | 12 | |
| 14 | 308010000014 | Flange Connector | M30X2 | 1 | |
| 15 | 730249000006 | Main Pump+Constant Pressure Pump+Gear Pump | | 1 | |
| 16 | 730101000126 | Flange Connector Block | GFS36/42LOMDA3C | 1 | |



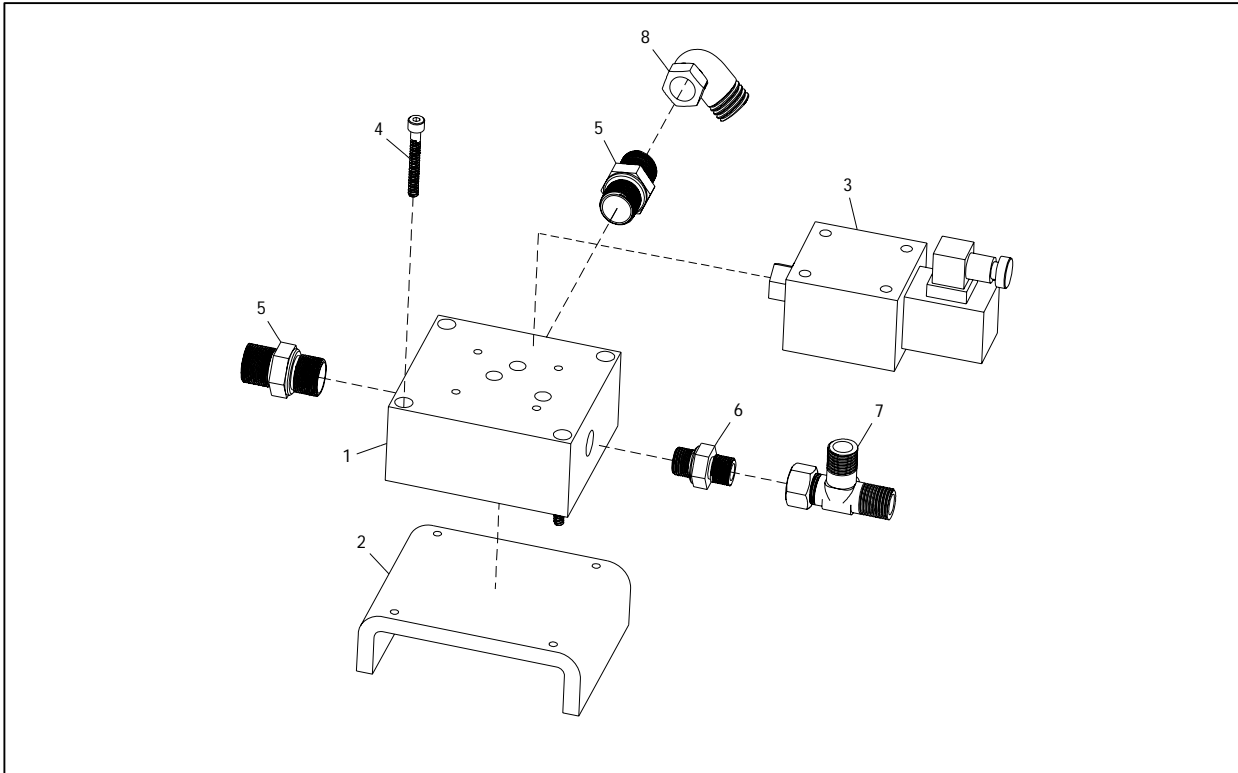
SWING MOTOR ASSEMBLY

| ITEM | PART NUMBER | PART NAME | SPECIFICATION | QTY | REMARK |
|------|--------------|-------------------------|--------------------|-----|--------|
| 1 | 739806000001 | Screw Plug | VST11/4EDA3C | 1 | |
| 2 | 730101000168 | Union | GE22LR1/2EDOMDA3C | 1 | |
| 3 | 730399000035 | Buffering Valve | 57147030420 | 1 | |
| 4 | 302490000159 | Buffering Valve Bracket | | 1 | |
| 5 | 730101000079 | Union | GE08LREDDOMDA3C | 2 | |
| 6 | 730101000144 | Union | GE18ZLM18X1.5EDA3C | 1 | |
| 7 | 730250000039 | Speed Reducer | GFB36T3B68-01 | 1 | |
| 8 | 730101000117 | Flange Connector Block | GFS63/25SOMDA3C | 2 | |
| 9 | 701510016002 | Lock Washer | 16-ZND GB93 | 2 | |
| 10 | 701104016008 | Tap Screw | M16X45-8.8 GB5783 | 2 | |
| 11 | 701104010004 | Hexagon Cap Screw | M10X25-8.8 GB5783 | 2 | |
| 12 | 701510010001 | Lock Washer | 10-ZnD GB93 | 2 | |



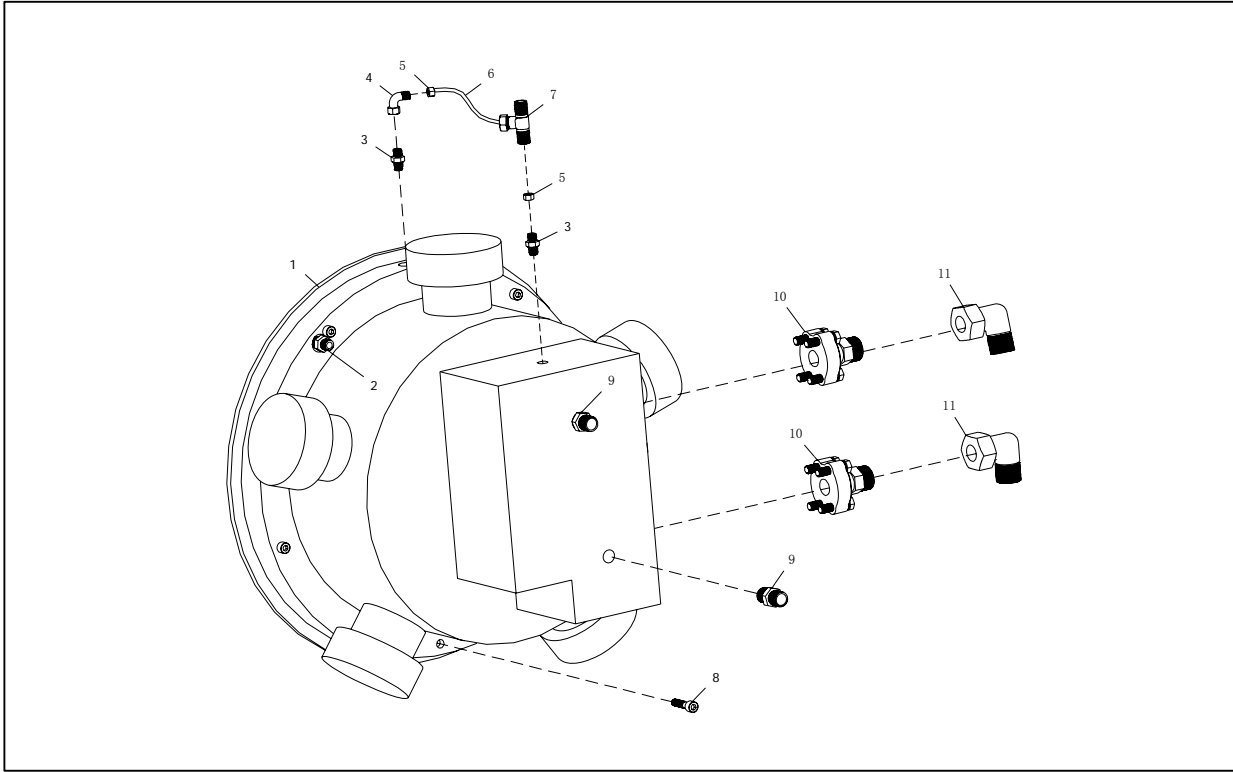
MAIN WINCH MOTOR ASSEMBLY

| ITEM | PART NUMBER | PART NAME | SPECIFICATION | QTY | REMARK |
|------|--------------|------------------------|--------------------|-----|--------|
| 1 | 730251000009 | Main Hydraulic Drum | GFT80W3B99+A6VE160 | 1 | |
| 2 | 308010304025 | Union | B-GE-M27-M30 | 1 | |
| 3 | 730104000027 | Tee | EL22LOMDA3C | 2 | |
| 4 | 730101000005 | Union | GE10LMEDOMDA3C | 3 | |
| 5 | 730104000028 | Tee | WV08LOMDA3C | 1 | |
| 6 | 730101000033 | Union | GE22LMEDOMDA3C | 1 | |
| 7 | 730101000004 | Union | GE15LMEDOMDA3C | 2 | |
| 8 | 730101000122 | Union | RED22/10LOMDA3C | 1 | |
| 9 | 701510020001 | Lock Washer | 20 GB93 | 2 | |
| 10 | 701103020022 | Hexagon Cap Screw | M20X50-10.9 GB5782 | 2 | |
| 11 | 730101000148 | Flange Connector Block | GFS65/30SOMDA3C | 2 | |



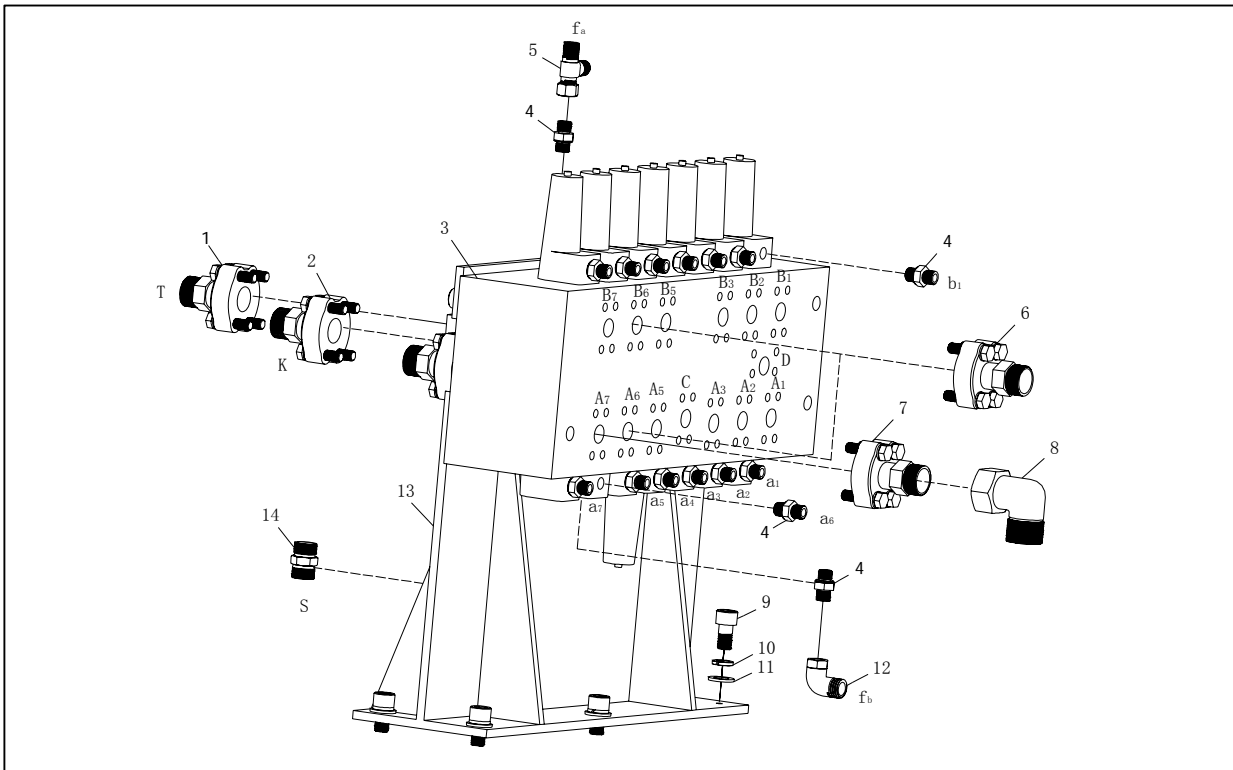
FLUCTUATION SOLENOID VALVE

| ITEM | PART NUMBER | PART NAME | SPECIFICATION | QTY | REMARK |
|------|--------------|----------------------------------|----------------------|-----|--------|
| 1 | 307010602006 | Fluctuation Solenoid Valve Block | SWDM20 | 1 | |
| 2 | 302510000104 | Bracket | | 1 | |
| 3 | 730307000008 | Solenoid Valve | D3DW26HNJP | 1 | |
| 4 | 701103006016 | Socket Head Cap Screw | M6X45-8.8-ZnD GB5782 | 4 | |
| 5 | 730101000004 | Union | GE15LMEDOMDA3C | 2 | |
| 6 | 730101000005 | Union | GE10LMEDOMDA3C | 1 | |
| 7 | 730104000023 | Tee | EL10LOMDA3C | 1 | |
| 8 | 730102000013 | Elbow | EW15LOMDA3C | 2 | |



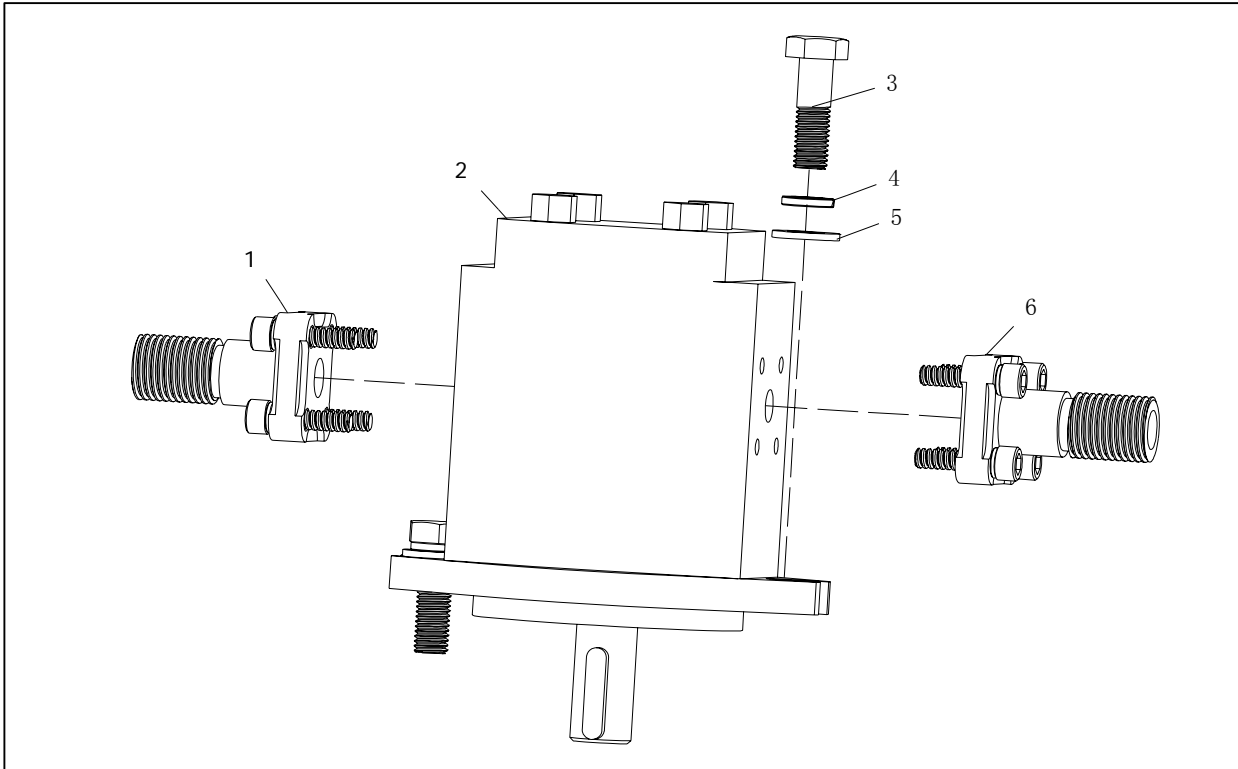
AUXILIARY WINCH INSTALLATION

| ITEM | PART NUMBER | PART NAME | SPECIFICATION | QTY | REMARK |
|------|--------------|------------------------|-------------------|------|--------|
| 1 | 73025100007 | Hydraulic Drum | HGJ35-80-85-20-ZP | 1 | |
| 2 | 73010100005 | Union | GE10LMEDOMDA3C | 1 | |
| 3 | 730101000055 | Union | GE08LMEDOMDA3C | 2 | |
| 4 | 730102000010 | Elbow | EW08LOMDA3C | 2 | |
| 5 | 751103000015 | Nut | FM08LA3C | 2 | |
| 6 | 710162010001 | Steel Pipe | ST35 TP8X1 | 0.5m | |
| 7 | 730399000019 | Valve | WV08LA3C | 1 | |
| 8 | 701302010008 | Socket Head Cap Screw | M10X40-8.8 GB70 | 5 | |
| 9 | 308010203026 | Union | B-GE-M14-M22 | 2 | |
| 10 | 730101000120 | Flange Connector Block | GFS64/25SOMDA3C | 2 | |
| 11 | 730102000023 | Elbow | EW25SOMDA4C | 2 | |



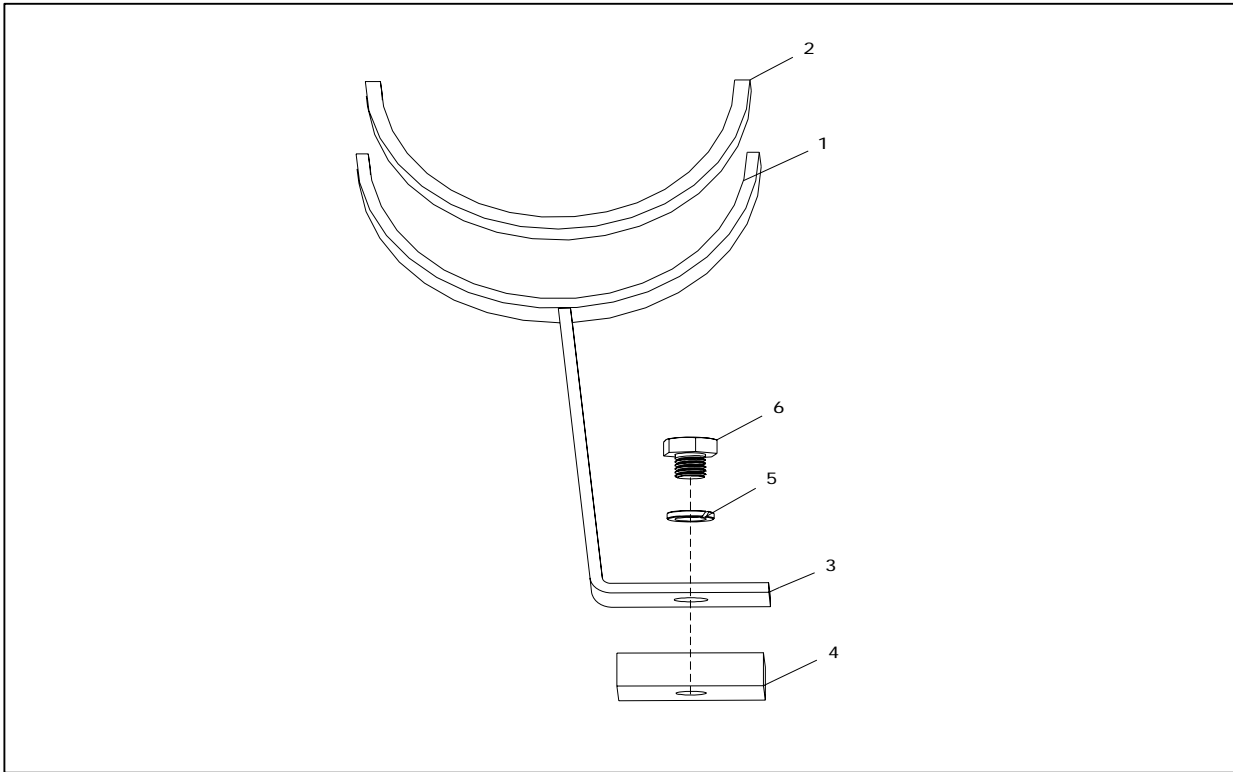
M8 VALVE INSTALLATION

| ITEM | PART NUMBER | PART NAME | SPECIFICATION | QTY | REMARK |
|------|--------------|------------------------|-------------------|-----|--------|
| 1 | 730101000126 | Flange Connector Block | GFS36/42LOMDA3C | 1 | |
| 2 | 730101000131 | Flange Connector Block | GFS35/35LOMDA3C | 1 | |
| 3 | 730301000037 | Control Valve | M8-1356-00/7M8-22 | 1 | |
| 4 | 730101000010 | Union | GE10LREDOMDA3C | 17 | |
| 5 | 730104000023 | Tee | EL10LOMDA3C | 1 | |
| 6 | 730101000124 | Flange Connector Block | GFS64/30SOMDA3C | 4 | |
| 7 | 730101000117 | Flange Connector Block | GFS63/25SOMDA3C | 12 | |
| 8 | 730102000024 | Elbow | EW30SOMDA3C | 2 | |
| 9 | 701302016003 | Socket Head Cap Screw | M16X30-8.8 GB70 | 9 | |
| 10 | 701504016001 | Lock Washer | 16-ZnD GB97.1 | 9 | |
| 11 | 701510016001 | Lock Washer | 16 GB93 | 9 | |
| 12 | 730102000015 | Elbow | EW10LOMDA3C | 1 | |
| 13 | 803696181710 | M8 Bracket | M8 | 1 | |
| 14 | 308010304014 | Union | B-GE-M33-M30 | 1 | |



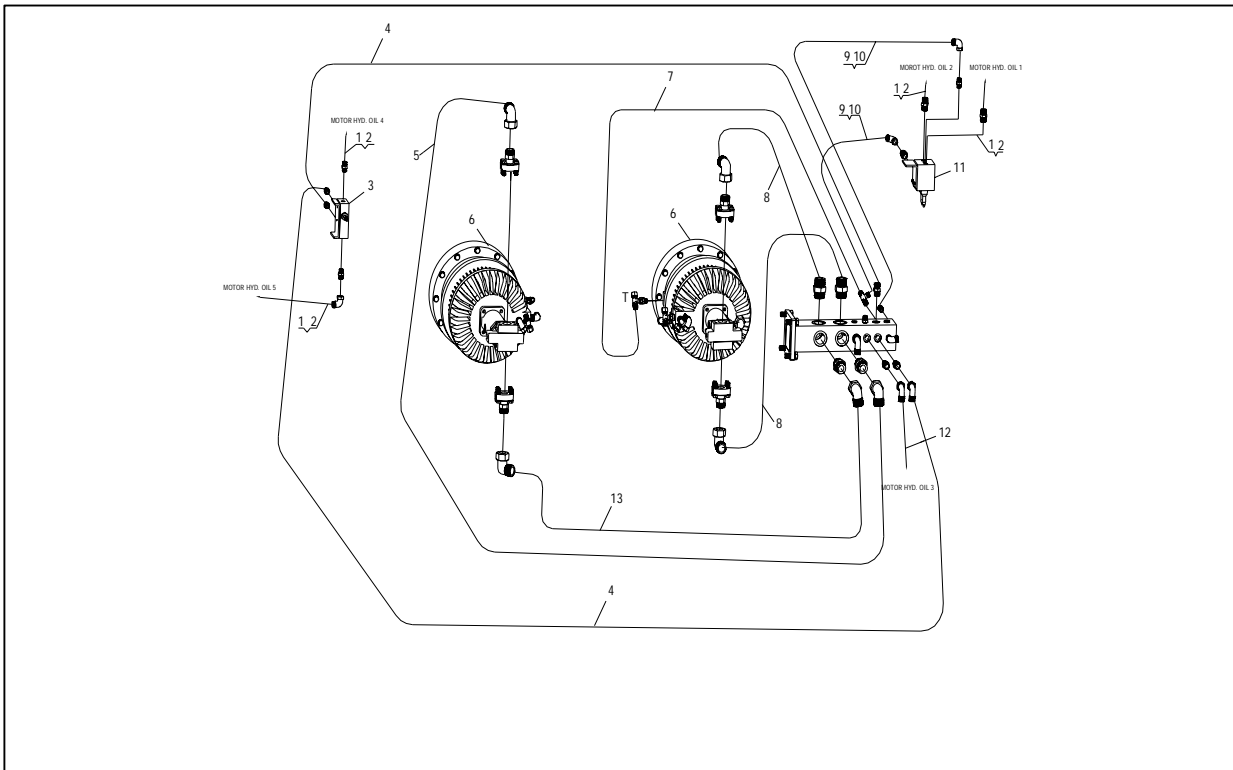
LUBRICATION PUMP INSTALLATION

| ITEM | PART NUMBER | PART NAME | SPECIFICATION | QTY | REMARK |
|------|--------------|-------------------|-------------------|-----|--------|
| 1 | 73980700001 | Square Flange | BFG15L/LK400MDA3C | 1 | |
| 2 | 730202000004 | Gear Pump | CBWK-E306-AFL | 1 | |
| 3 | 701103010005 | Hexagon Cap Screw | M10X40-8.8 GB5782 | 2 | |
| 4 | 701510010001 | Lock Washer | 10-ZnD GB93 | 2 | |
| 5 | 701501010001 | Lock Washer | 10 GB95 | 2 | |
| 6 | 730199000014 | Square Flange | BFG12ZL/LK35A3C | 1 | |



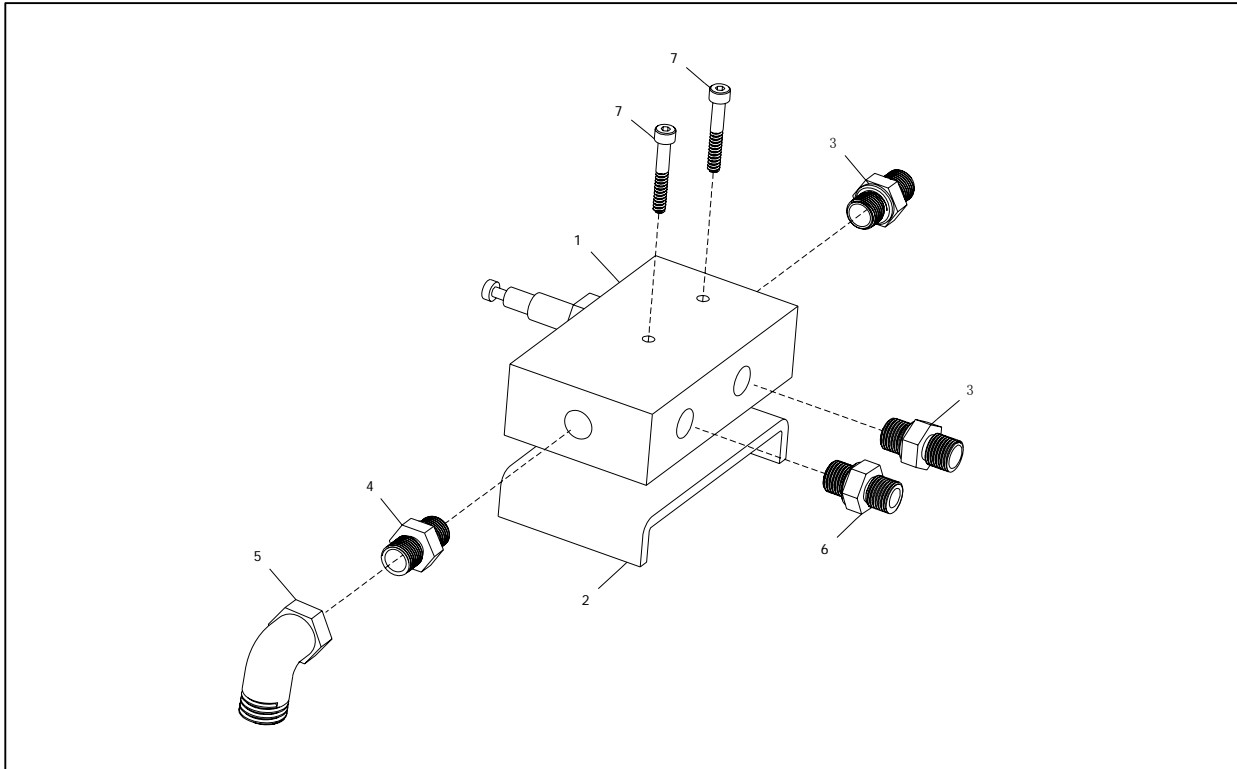
OIL SUCTION PIPE BRACKET

| ITEM | PART NUMBER | PART NAME | SPECIFICATION | QTY | REMARK |
|------|--------------|----------------------|-------------------|-----|--------|
| 1 | 710050060007 | Flat Steel | Q235-A 4X40 190 | 1 | |
| 2 | 712411990002 | Oil Resisting Rubber | 5 40X180 | 1 | |
| 3 | 302520000239 | Support | | 1 | |
| 4 | 302030001413 | Plate | | 1 | |
| 5 | 701510010001 | Lock Washer | 10-ZnD GB93 | 1 | |
| 6 | 701104010002 | Tap Bolt | M10X16-8.8 GB5783 | 1 | |



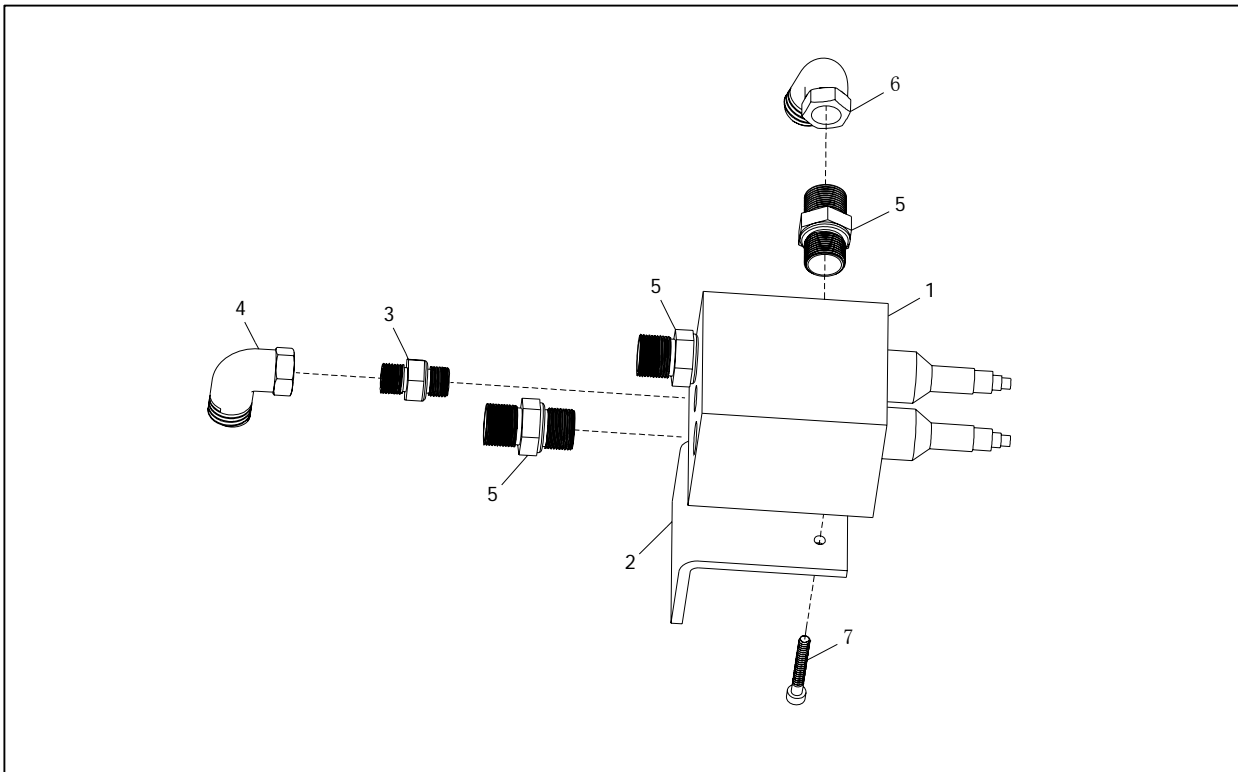
ROTARY HEAD HYDRAULIC SYSTEM

| ITEM | PART NUMBER | PART NAME | SPECIFICATION | QTY | REMARK |
|------|--------------|-----------------------------|--------------------|------|--------|
| 1 | 710102020002 | Seamless steel pipe | 20 TP12X2 | 6m | |
| 2 | 751103000004 | Nut | FM12LA3C | 10 | |
| 3 | 803696190100 | Governor Valve Installation | | 1 | |
| 4 | 730502000578 | Rubber Hose | 481CACF121206-2000 | 2 | |
| 5 | 730501000260 | Rubber Hose | 731C9C9383820-2050 | 1 | |
| 6 | 803696190200 | Motor Installation | | 1 | |
| 7 | 730501000240 | Rubber Hose | 481CACA181810-1020 | 1 | |
| 8 | 730501000258 | Rubber Hose | 731C9C9383820-1150 | 2 | |
| 9 | 710102020001 | Seamless steel pipe | 20 TP10X1.5 | 0.4m | |
| 10 | 751103000002 | Nut | FM10LA3C | 2 | |
| 11 | 803696190300 | Sequence Valve | | 1 | |
| 12 | 730502000580 | Rubber Hose | 481CACF151508-820 | 1 | |
| 13 | 730501000259 | Rubber Hose | 731C9C9383820-1900 | 1 | |



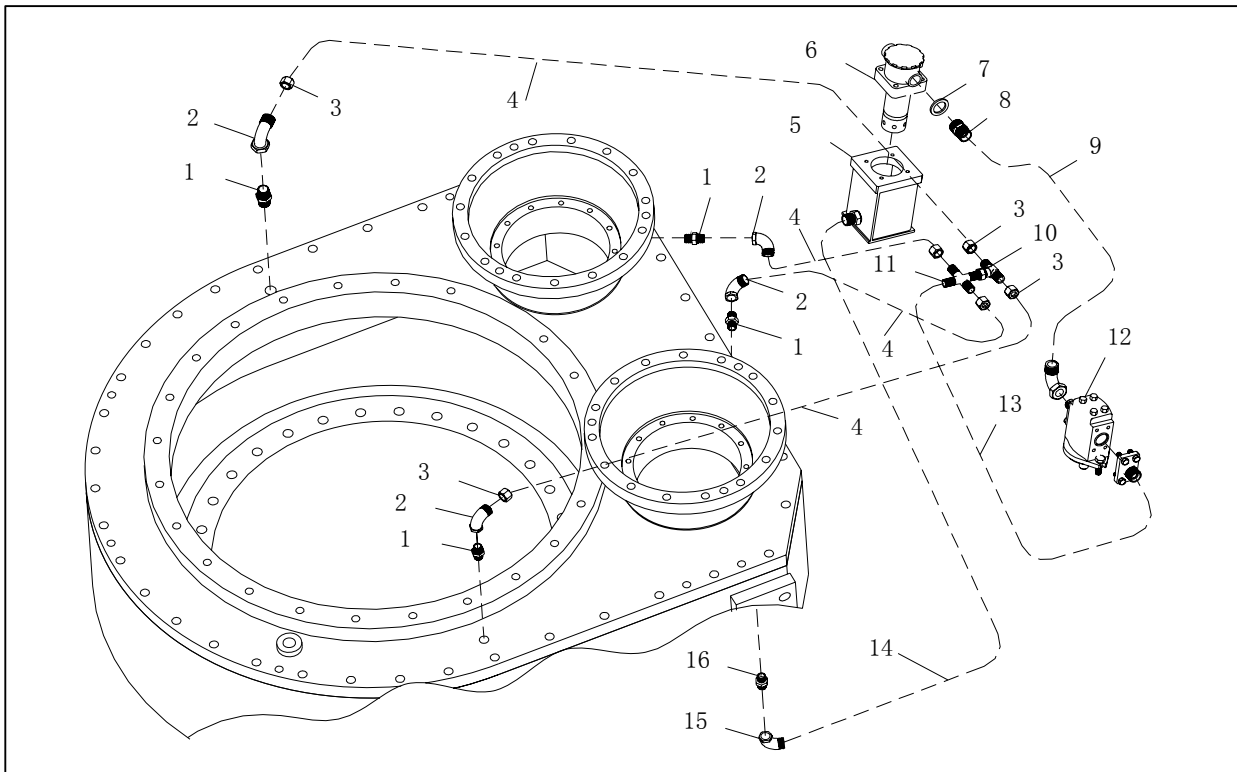
GOVERNOR VALVE INSTALLATION

| ITEM | PART NUMBER | PART NAME | SPECIFICATION | QTY | REMARK |
|------|--------------|------------------------|--------------------|-----|--------|
| 1 | 73039900020 | Flow Control Valve | FPR101F100K03-8T | 1 | |
| 2 | 302510000102 | Governor Valve Bracket | | 1 | |
| 3 | 730101000137 | Union | GE12L3/4UNFOMDA3C | 2 | |
| 4 | 730101000028 | Union | GE12L9/16UNFOMDA3C | 1 | |
| 5 | 730102000008 | Elbow | EW12LOMDA3C | 1 | w/nut |
| 6 | 730101000010 | Union | GE10LREDDOMDA3C | 1 | w/nut |
| 7 | 701302006010 | Socket Head Cap Screw | M6X40-8.8 GB70 | 2 | |



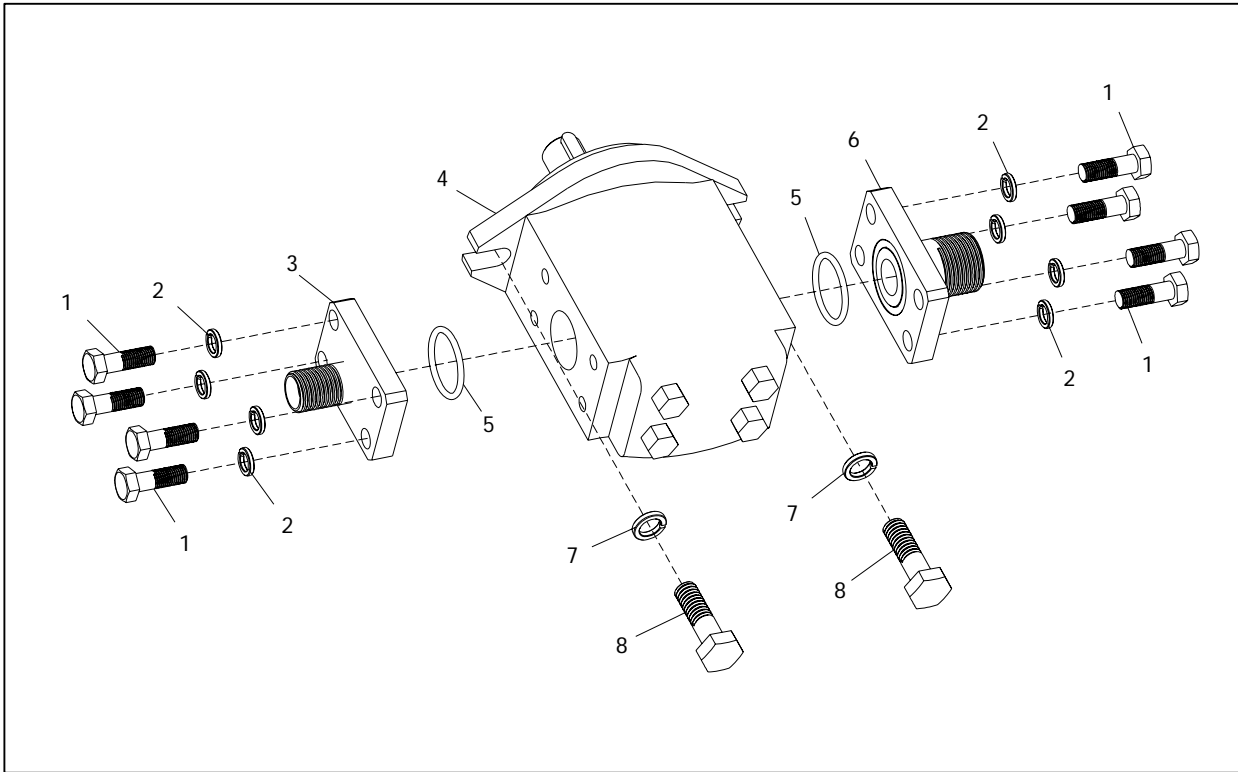
SEQUENCE VALVE INSTALLATION

| ITEM | PART NUMBER | PART NAME | SPECIFICATION | QTY | REMARK |
|------|--------------|-----------------------|-------------------|-----|--------|
| 1 | 730399000018 | Sequence Valve | BR02 | 1 | |
| 2 | 302040000066 | L Shape Plate | | 1 | |
| 3 | 730101000010 | Union | GE10LREDOMDA3C | 1 | |
| 4 | 730102000015 | Elbow | EW10LOMDA3C | 1 | |
| 5 | 730101000116 | Union | GE12LR1/4EDOMDA3C | 3 | |
| 6 | 730102000008 | Elbow | EW12LOMDA3C | 1 | |
| 7 | 701302006005 | Socket Head Cap Screw | M6X20-8.8 GB70 | 2 | |



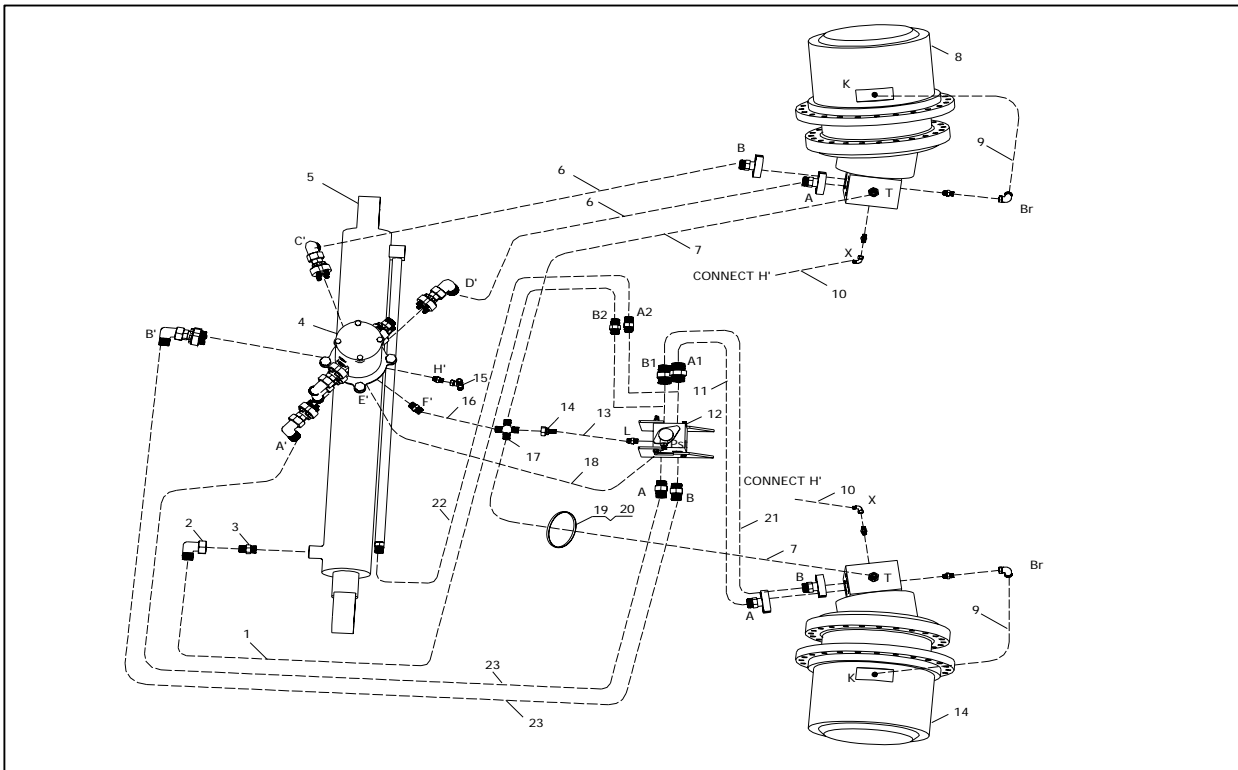
ROTARY LUBRICATION SYSTEM

| ITEM | PART NUMBER | PART NAME | SPECIFICATION | QTY | REMARK |
|------|--------------|------------------------|-------------------|-----|--------|
| 1 | 730101000155 | Union | GE12LMEDOMDA3C | 4 | |
| 2 | 730102000008 | Elbow | EW12LOMDA3C | 4 | |
| 3 | 751103000004 | Nut | FM12LA3C | 6 | |
| 4 | 710102020002 | Seamless Steel Pipe | 20 TP12X2 | 3m | |
| 5 | 803696100100 | Filter Cover | | 1 | |
| 6 | 730401000079 | Filter | LXZ-40X80LY | 1 | |
| 7 | 703202027001 | Lock Washer | 27 JB982 | 1 | |
| 8 | 308010000023 | Union | M27/M26 | 1 | |
| 9 | 730502000822 | Rubber Hose | 481CACF181810-400 | 1 | |
| 10 | 730104000019 | Tee | ET12LOMDA3C | 1 | |
| 11 | 730105000028 | Four-Way Union | K12LA3CX | 1 | |
| 12 | 803696200100 | Gear Pump Installation | | 1 | |
| 13 | 730501000235 | Rubber Hose | 481ACA121206-1700 | 1 | |
| 14 | 730502000821 | Rubber Hose | 481CACF181810-450 | 1 | |
| 15 | 730102000020 | Elbow | EW18LOMDA3C | 2 | |
| 16 | 730101000016 | Union | GE18LMEDOMDA3C | 1 | |



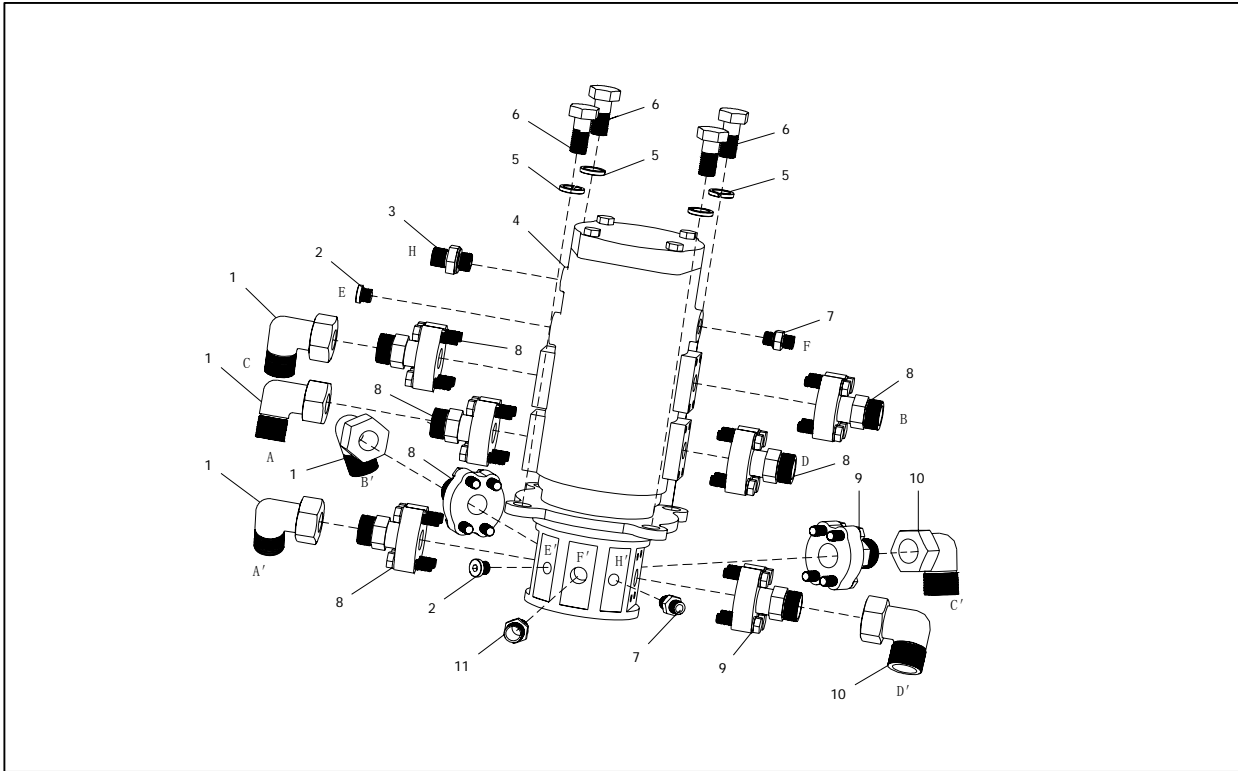
GEAR PUMP INSTALLATION

| ITEM | PART NUMBER | PART NAME | SPECIFICATION | QTY | REMARK |
|------|--------------|-------------------|-----------------------|-----|--------|
| 1 | 701104008006 | Hexagon Cap Screw | M8X25-8.8-ZnD GB5783 | 8 | |
| 2 | 701510008001 | Lock Washer | 8-ZnD GB93 | 8 | |
| 3 | 308010000011 | Flange Connector | M18 | 1 | |
| 4 | 730202000015 | Gear Pump | CBTD-F420-AFPL | 1 | |
| 5 | 703201028001 | O-Ring | 28X2.65 GB3452.1 | 2 | |
| 6 | 308010000012 | Flange Connector | M26 | 1 | |
| 7 | 701510010001 | Lock Washer | 10-ZnD GB93 | 2 | |
| 8 | 701103010004 | Hexagon Cap Screw | M10X35-8.8-ZnD GB5782 | 2 | |



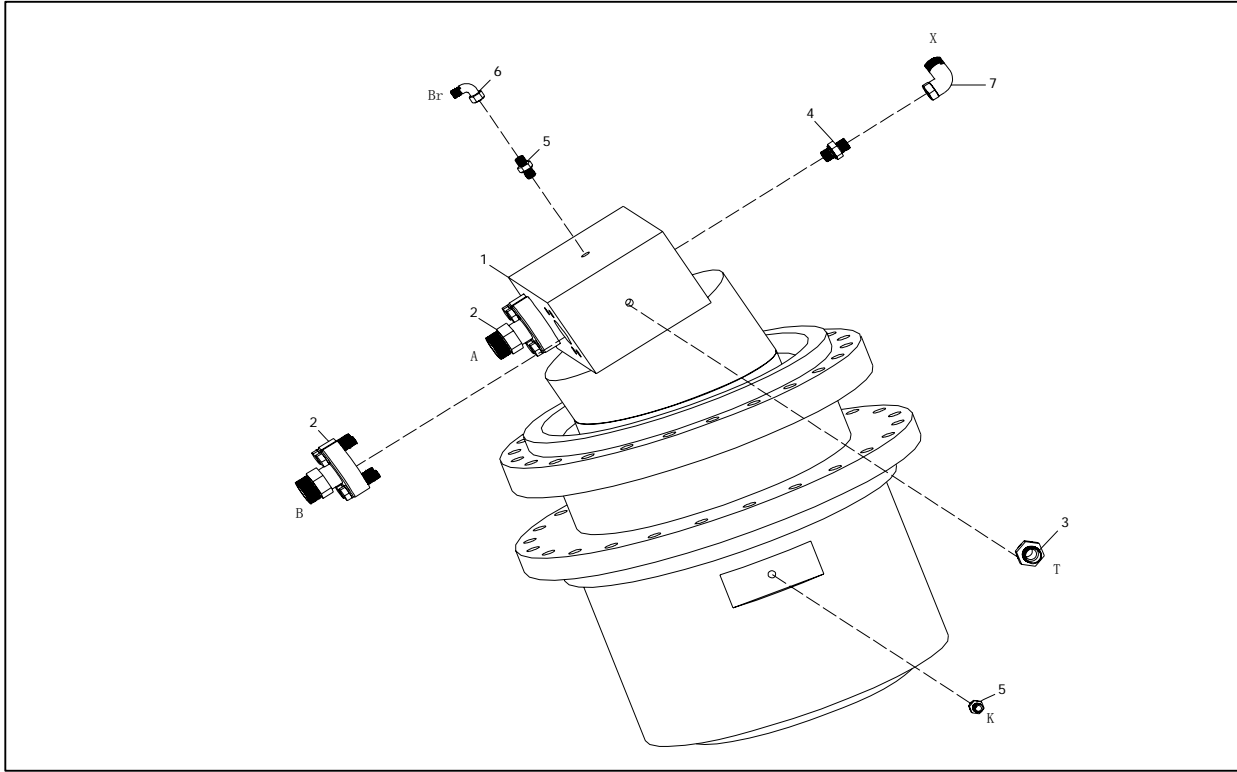
UNDERCARRIAGE HYDRAULIC SYSTEM

| ITEM | PART NUMBER | PART NAME | SPECIFICATION | QTY | REMARK |
|------|--------------|--|---------------------|-------------------|--------|
| 1 | 730502000605 | Rubber Hose | 7011CC9202010-1450 | 1 | |
| 2 | 730102000012 | Elbow | EW20SOMDA3C | 2 | |
| 3 | 730101000041 | Union | GE20SMEDOMDA3C | 2 | |
| 4 | 803696210100 | Central Rotating Joint Installation | | 1 | |
| 5 | 730001000122 | Crawler Hydraulic Cylinder | D140/d100-1110X1770 | 1 | |
| 6 | 730502000622 | Rubber Hose | 7310CC9303016-3300 | 2 | |
| 7 | 730502000595 | Rubber Hose | 481CACF222212-3100 | 2 | |
| 8 | 803696210200 | Traveling Motor Installation | | 2 | |
| 9 | 730502000544 | Rubber Hose | 381CFCA080804-700 | 2 | |
| 10 | 730501000230 | Rubber Hose | 481CACA101005-3500 | 2 | |
| 11 | 730502000823 | Rubber Hose | 7310CC9303016-2600 | 1 | |
| 12 | 803696210300 | Hydraulic Directional Valve Installation | | 1 | |
| 13 | 730502000553 | Rubber Hose | 481CACF101005-650 | 1 | |
| 14 | 730101000122 | Union | RED22/10LOMDA3C | 1 | |
| 15 | 730104000018 | Tee | ET10LOMDA3C | 1 | |
| 16 | 730502000590 | Rubber Hose | 481CACF222212-700 | 1 | |
| 17 | 730105000020 | Four-way Union | K22LOMDA3C | 1 | |
| 18 | 730502000555 | Rubber Hose | 481CACF101005-720 | 1 | |
| 19 | 729901000006 | Tie Wrap | CHS 8X350 | 6 | |
| 20 | 712411990015 | Oil Resisting Rubber | 10 300X400 | 0.2m ² | |
| 21 | 730502000621 | Rubber Hose | 7310CC9303016-2650 | 1 | |
| 22 | 730502000603 | Rubber Hose | 7011CC9202010-1300 | 1 | |
| 23 | 730501000256 | Rubber Hose | 731C9C9303016-550 | 2 | |



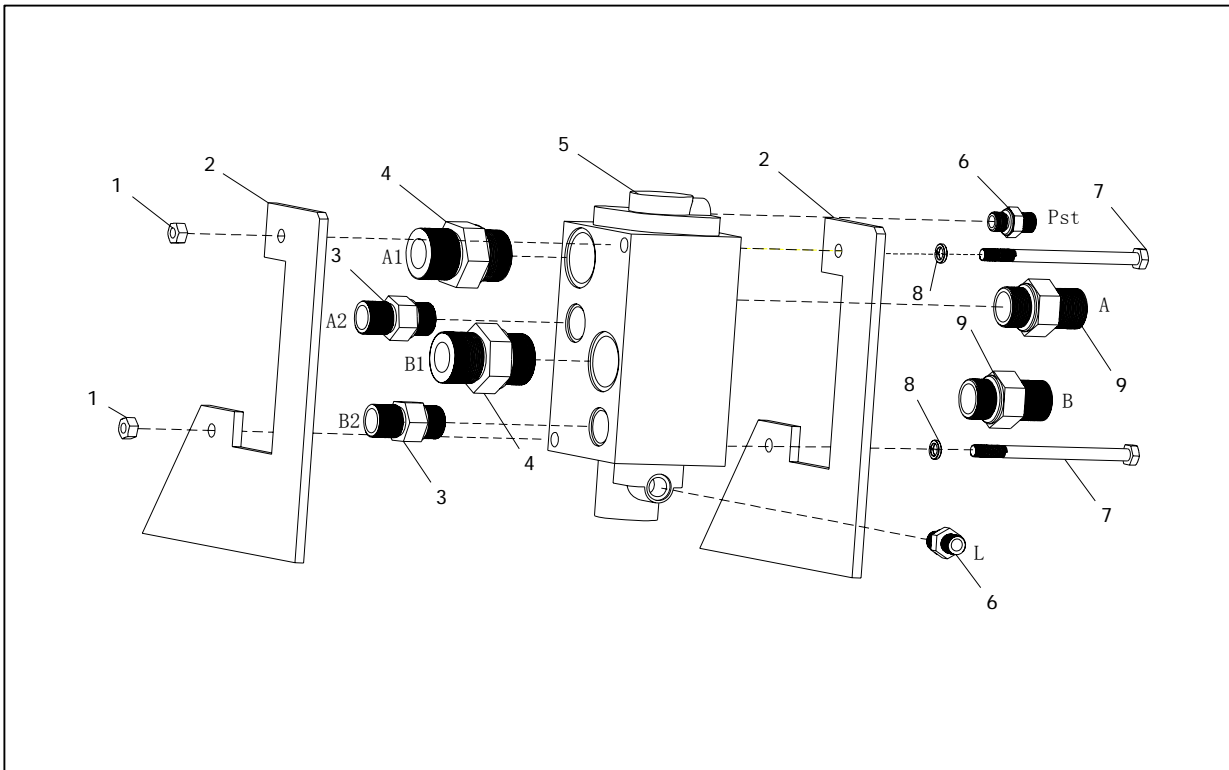
CENTRAL ROTATING JOINT INSTALLATION

| ITEM | PART NUMBER | PART NAME | SPECIFICATION | QTY | REMARK |
|------|--------------|------------------------|----------------------|-----|--------|
| 1 | 73010200023 | Elbow | EW25SOMDA4C | 4 | |
| 2 | 73980600025 | Plug | VST116X1.5EDA3C | 2 | |
| 3 | 730101000100 | Union | GE22LM22X1.5EDOMDA3C | 1 | |
| 4 | 739802000014 | Central Rotating Joint | 8ZWII20GF | 1 | |
| 5 | 701510020001 | Lock Washer | 20 GB93 | 4 | |
| 6 | 701103020010 | Hexagon Cap Screw | M20X45-8.8 GB5782 | 4 | |
| 7 | 730101000076 | Union | GE10LM16x1.5EDOMDA3C | 2 | |
| 8 | 730101000120 | Flange Connector Block | GFS64/25SOMDA3C | 6 | |
| 9 | 730101000124 | Flange Connector Block | GFS64/30SOMDA3C | 2 | |
| 10 | 730102000024 | Elbow | EW30SOMDA3C | 2 | |
| 11 | 730101000016 | Union | GE18LMEDOMDA3C | 1 | |



TRAVELING MOTOR INSTALLATION

| ITEM | PART NUMBER | PART NAME | SPECIFICATION | QTY | REMARK |
|------|--------------|------------------------|------------------|-----|--------|
| 1 | 750301000010 | Speed Reducer Assembly | GFT80T3B127-01+* | 1 | |
| 2 | 730101000148 | Flange Connector Block | GFS65/30SOMDA3C | 2 | |
| 3 | 730101000033 | Union | GE22LMEDOMDA3C | 1 | |
| 4 | 730101000005 | Union | GE10LMEDOMDA3C | 1 | |
| 5 | 730102000015 | Union | EW10LOMDA3C | 1 | |
| 6 | 730101000055 | Elbow | GE08LMEDOMDA3C | 1 | |
| 7 | 730102000010 | Elbow | EW08LOMDA3C | 1 | |



HYDRAULIC DIRECTIONAL VALVE

| ITEM | PART NUMBER | PART NAME | SPECIFICATION | QTY | REMARK |
|------|--------------|-----------------------------|------------------|-----|--------|
| 1 | 701406010001 | Nut | M10-ZnD GB6170 | 2 | |
| 2 | 302490000214 | Plate | | 2 | |
| 3 | 730101000145 | Union | GE20SR1EDA3C | 2 | |
| 4 | 730101000163 | Union | GE30SR1EDOMDA3C | 2 | |
| 5 | 730305000014 | Hydraulic Directional Valve | | 1 | |
| 6 | 730101000010 | Union | GE10LREDDOMDA3C | 2 | |
| 7 | 701302010024 | Hexagon Cap Screw | M10X140-8.8 GB70 | 2 | |
| 8 | 701510010001 | Lock Washer | 10-ZnD GB93 | 2 | |
| 9 | 730101000159 | Union | GE25SREDDOMDA3C | 2 | |