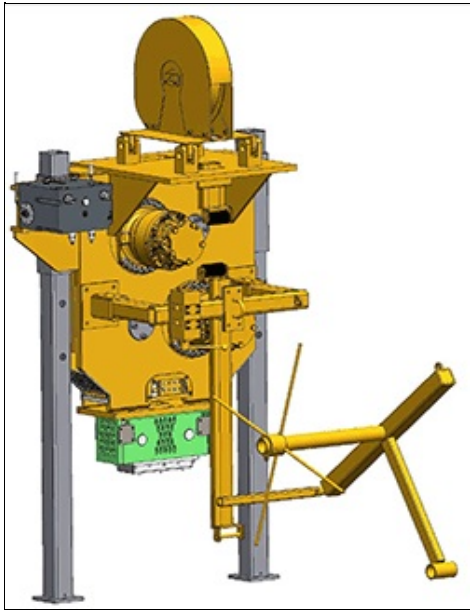


APE Model 28 Bottom-Drive™ Wick Drain



SPECIFICATIONS	DATA
Static (Crowd) Force	28 US tons
Maximum Pressure	380 bars / 5500 psi
Length	180 cm / 70.94 in
Width	119 cm / 47 in
Height	232.4 cm / 91.5 in